



® LR 3902

UL DRY TYPE TRANSFORMER 774J5 E112313

LISTED

GUELPH, ONT. BARABOO, WI COMPTON, CA MONTERREY, MX

THREE PHASE DRY TYPE DRIVE ISOLATION TRANSFORMER
TRANSFORMATEUR TRIPHASE POUR VARIATEUR DE VITESSE DE MOTEURS

HV/HT	230V				Cust. Ref. Réf. du client	
BIL	-				Serial No. No. de série	
TERM. BORNES	H1 H2 H3				Part No. No. de pièce	DM075CC
	VOLTS	CURRENT COURANT	% RATED VOLTAGE % TENSION NOMINALE	CONNECTION EACH PHASE CONNEXION PAR PHASE	kVA	75
	242	179	105	1	TYPE	K
	230	188	100	2	Cooling Refroidissement	ANN
	218	198	95	3	Temp. Rise Echauffement	150 °C
					Temp. Class Classe de Temp.	220 °C
					Frequency Fréquence	60 Hz
					Impédance % @ 170 °C	5.6
LV/BT	230Y/133V, 188A				Encl. Type Type de boîtier	3R
BIL	-				Wt lbs/kg	535/243
TERM. BORNES	X0 X1 X2 X3				Winding Enroulement	AL



SPACINGS BETWEEN ANY VENTILATED ENCLOSURE PANEL AND ANY ADJACENT WALL SHALL BE A MINIMUM OF 5 INCHES

d003102b



TITLE: 3PH DRIVE TRANSFORMER
NAMEPLATE INFORMATION

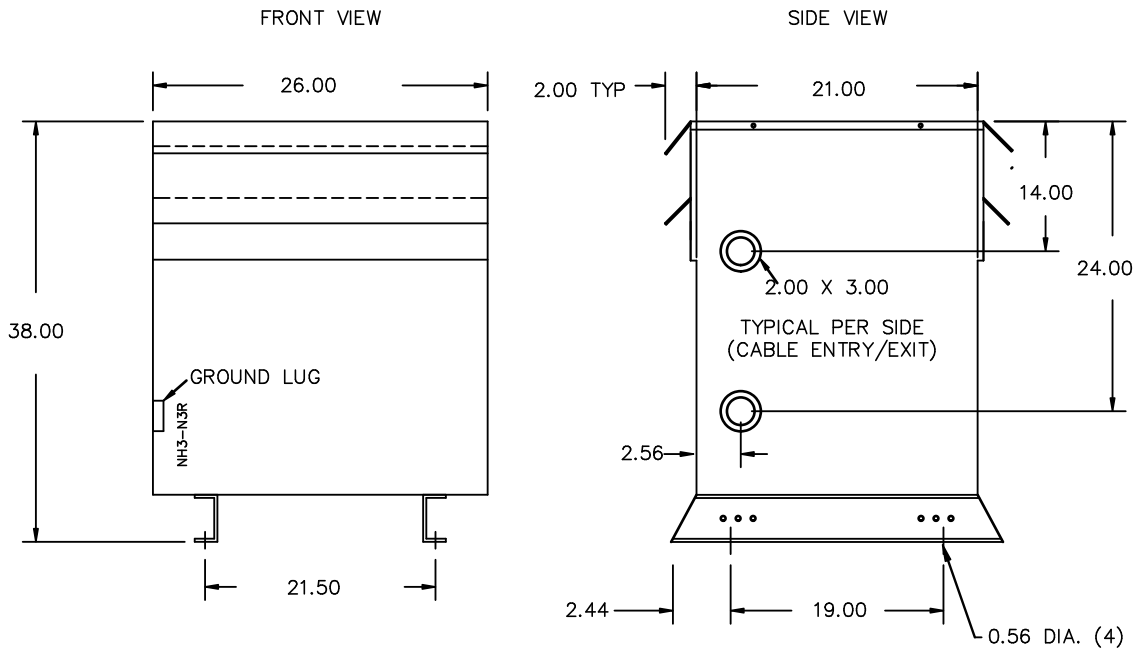
5	23/04/12	DC	ADDED LV AMPS	DES: RBHATIA
4	21/07/16	PP	EDB UPDATE	DATE: 04/03/15
NO.	DATE	BY	REVISION	SCALE: NTS

SHEET 1 OF 2

EDBDM075CC

5.0 httpd 2026/06/13 06:17

THIS DRAWING CONTAINS STRICTLY CONFIDENTIAL INFORMATION BELONGING TO HAMMOND POWER SOLUTIONS AND MUST NOT BE DISTRIBUTED OUTSIDE AUTHORIZED PARTIES.



All Dimensions in inches

ENCLOSURE COLOR :ANSI 61 GREY- OUTDOOR

HV TERMINAL DETAIL

LV TERMINAL DETAIL

MECHANICAL TYPE LUGS INCLUDED
SUITABLE FOR 350MCM-6 CU/AL
CONDUCTORS
1 CONDUCTOR PER PHASE

MECHANICAL TYPE LUGS INCLUDED
SUITABLE FOR 350MCM-6 CU/AL
CONDUCTORS
1 CONDUCTOR PER PHASE

CUSTOMER NOTES:

- HV TERMINATED AT TOP FRONT
- LV TERMINATED AT BOTTOM FRONT
- C/W 1-"NC"- THERMOSTAT PER COIL CONNECTED TO T.B.



TITLE: 3PH DRIVE TRANSFORMER

5	23/04/12	DC	ADDED LV AMPS	DES: RBHATIA
4	21/07/16	PP	EDB UPDATE	DATE: 04/03/15
NO.	DATE	BY	REVISION	SCALE: NTS

SHEET 2 OF 2

EDBDM075CC