

hammond

POWER SOLUTIONS



US LISTED

E61431

GUELPH,ONT BARABOO,WI COMPTON,CA MONTERREY,MX

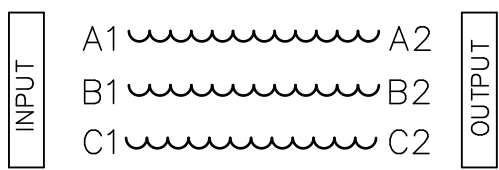
MADE IN CANADA

HPS Centurion S – 3 Phase SineWave Filter

RATING (HP)	<input type="text" value="500"/>	CUST. REF.	<input type="text"/>
SYS. VOLTAGE	<input type="text" value="600"/>	SERIAL NO.	<input type="text"/>
FREQ. (Hz)	<input type="text" value="90"/>	PART NO.	<input type="text" value="CS1P0500F"/>
CURRENT(AMP)	<input type="text" value="500"/>	TYPE	SJR-4 <input type="text" value="AN"/>
		WDG MATERIAL	<input type="text" value="CU"/>
TEMP. RISE °C	<input type="text" value="130"/>	ENCL. TYPE	<input type="text"/>
TEMP. CLASS °C	<input type="text" value="220"/>	WEIGHT lbs	<input type="text" value="527"/>

WARNING: CAPACITOR VOLTAGE ABOVE 50V MAY REMAIN FOR 180 SECONDS AFTER POWER IS DISCONNECTED.

F0677EF



hammond

POWER SOLUTIONS

TITLE: LINE REACTOR
NAMEPLATE INFORMATION

				DES: MVAGHANI
				DATE: 26/04/15
NO.	DATE	BY	REVISION	SCALE: NTS

SHEET 1 OF 5

EDBCS1P0500F

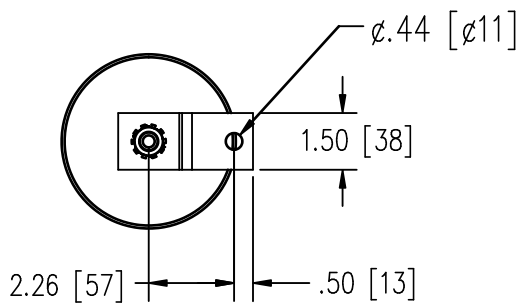
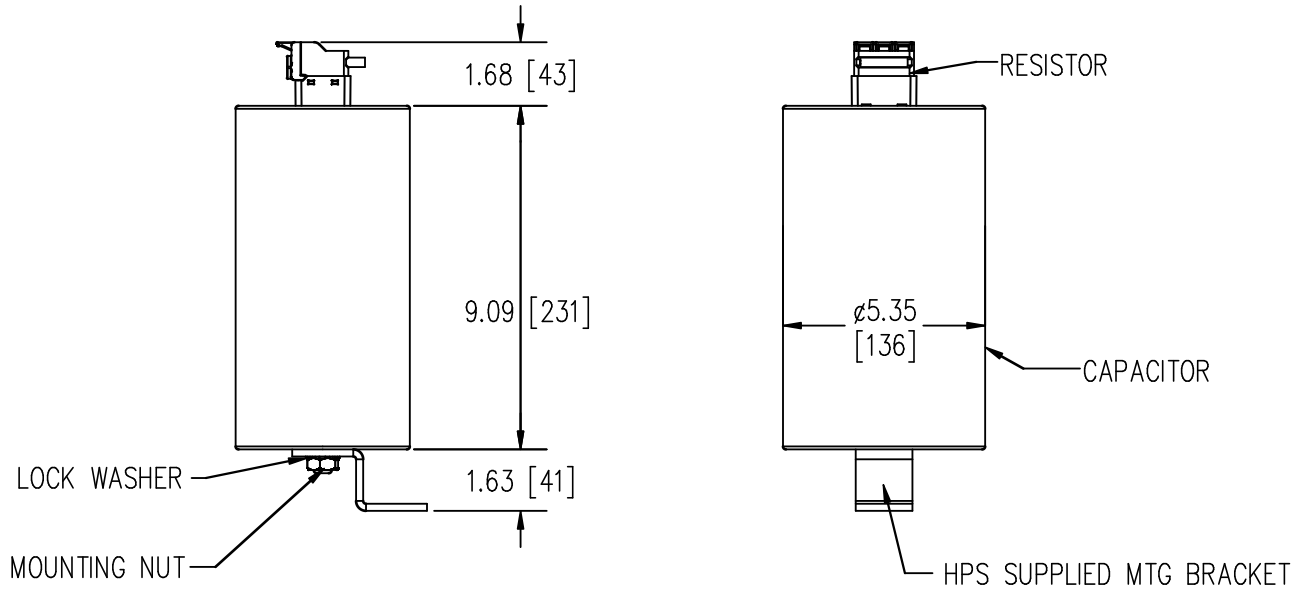
0.1 htpd 2026/06/24 21:22 THIS DRAWING CONTAINS STRICTLY CONFIDENTIAL INFORMATION BELONGING TO HAMMOND POWER SOLUTIONS AND MUST NOT BE DISTRIBUTED OUTSIDE AUTHORIZED PARTIES.



TITLE:				LINE REACTOR FLOOR MOUNT DIMENSIONS
				DES: MVAGHANI
				DATE: 26/04/15
NO.	DATE	BY	REVISION	SCALE: NTS

SHEET 2 OF 5

EDBCS1P0500F



- ENSURE CAPACITOR BLEEDER RESISTOR IS INSTALLED IN CAPACITOR TERMINAL BLOCK.
- BLEEDER RESISTOR MAY BE SUPPLIED LOOSE WITH THE CAPACITOR.
- USE MIN # 8 AWG CONDUCTORS TO CONNECT TO FILTER.
- USE WIRE RATED FOR AT LEAST 90°C AND SIZED BASIS OF 75* AMPACITY.

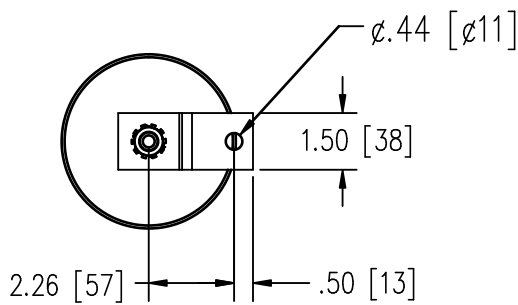
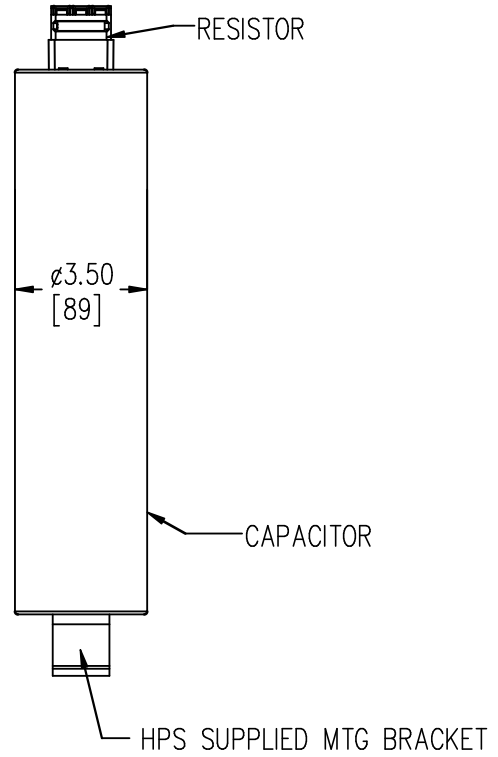
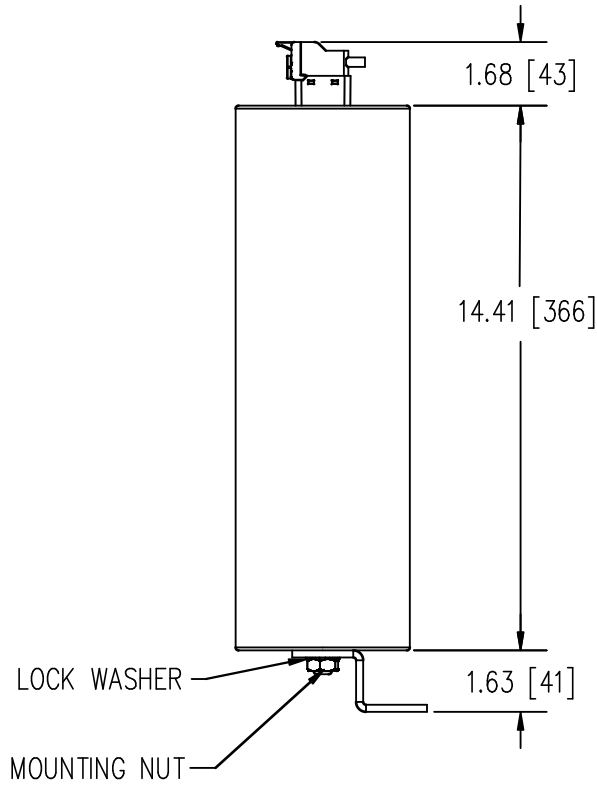


TITLE: LINE REACTOR
CAPACITOR DIMENSIONS
(4 CAPACITOR REQUIRED)

				DES: MVAGHANI
				DATE: 26/04/15
NO.	DATE	BY	REVISION	SCALE: NTS

SHEET 3 OF 5

EDBCS1P0500F



- ENSURE CAPACITOR BLEEDER RESISTOR IS INSTALLED IN CAPACITOR TERMINAL BLOCK.
- BLEEDER RESISTOR MAY BE SUPPLIED LOOSE WITH THE CAPACITOR.
- USE MIN # 8 AWG CONDUCTORS TO CONNECT TO FILTER.
- USE WIRE RATED FOR AT LEAST 90°C AND SIZED BASIS OF 75° AMPACITY.

THIS DRAWING CONTAINS STRICTLY CONFIDENTIAL INFORMATION BELONGING TO HAMMOND POWER SOLUTIONS AND MUST NOT BE DISTRIBUTED OUTSIDE AUTHORIZED PARTIES.



TITLE: LINE REACTOR
CAPACITOR DIMENSIONS
(1 CAPACITOR REQUIRED)

				DES: MVAGHANI
				DATE: 26/04/15
NO.	DATE	BY	REVISION	SCALE: NTS

SHEET 4 OF 5

EDBCS1P0500F



TITLE:				LINE REACTOR CAPACITOR WIRING
				DES: MVAGHANI
				DATE: 26/04/15
NO.	DATE	BY	REVISION	SCALE: NTS

SHEET 5 OF 5

EDBCS1P0500F