

# hammond

POWER SOLUTIONS



US LISTED

E61431

GUELPH,ONT BARABOO,WI COMPTON,CA MONTERREY,MX

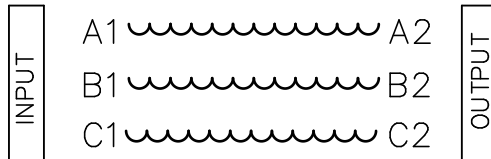
MADE IN CANADA

## HPS Centurion S – 3 Phase SineWave Filter

RATING (HP)	400	CUST. REF.	
SYS. VOLTAGE	600	SERIAL NO.	
FREQ. (Hz)	90	PART NO.	CS1P0415F
CURRENT(AMP)	415	TYPE	SJR-4 AN
		WDG MATERIAL	CU
TEMP. RISE °C	130	ENCL. TYPE	
TEMP. CLASS °C	220	WEIGHT lbs	395

WARNING: CAPACITOR VOLTAGE ABOVE 50V MAY REMAIN FOR 180 SECONDS AFTER POWER IS DISCONNECTED.

F0677EF



# hammond

POWER SOLUTIONS

TITLE: LINE REACTOR  
NAMEPLATE INFORMATION

				DES: MVAGHANI
				DATE: 26/04/09
NO.	DATE	BY	REVISION	SCALE: NTS

SHEET 1 OF 4

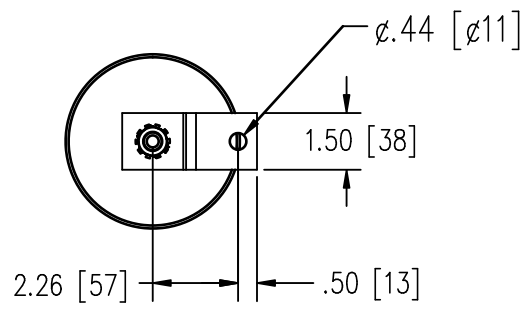
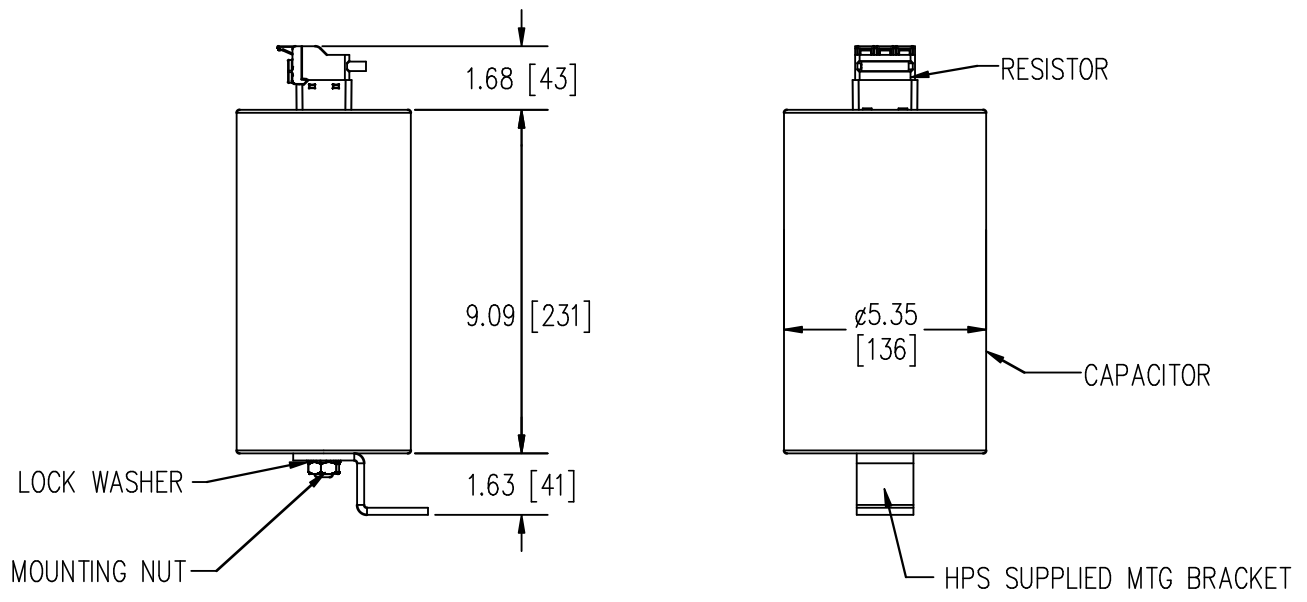
EDBCS1P0415F

SHEET 2 OF 4

EDBCS1P0415F

TITLE:				LINE REACTOR FLOOR MOUNT DIMENSIONS
				DES: MVAGHANI
				DATE: 26/04/09
NO.	DATE	BY	REVISION	SCALE: NTS





- ENSURE CAPACITOR BLEEDER RESISTOR IS INSTALLED IN CAPACITOR TERMINAL BLOCK.
- BLEEDER RESISTOR MAY BE SUPPLIED LOOSE WITH THE CAPACITOR.
- USE MIN # 8 AWG CONDUCTORS TO CONNECT TO FILTER.
- USE WIRE RATED FOR AT LEAST 90°C AND SIZED BASIS OF 75\* AMPACITY.



TITLE: LINE REACTOR				DES: MVAGHANI
CAPACITOR DIMENSIONS (4 CAPACITOR REQUIRED)				
NO.	DATE	BY	REVISION	SCALE: NTS

SHEET 3 OF 4  
EDBCS1P0415F  
0.2 httpd 2026/06/24 21:23



TITLE: LINE REACTOR CAPACITOR WIRING			
			DES: MVAGHANI
			DATE: 26/04/09
NO.	DATE	BY	REVISION
			SCALE: NTS

SHEET 4 OF 4

EDBCS1P0415F