

# hammond

POWER SOLUTIONS



US LISTED

E61431

GUELPH,ONT BARABOO,WI COMPTON,CA MONTERREY,MX

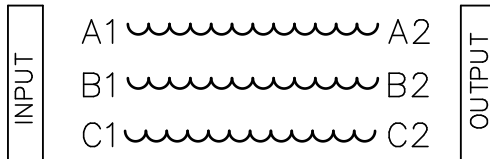
MADE IN CANADA

## HPS Centurion S – 3 Phase SineWave Filter

RATING (HP)	<input type="text" value="300"/>	CUST. REF.	<input type="text"/>
SYS. VOLTAGE	<input type="text" value="600"/>	SERIAL NO.	<input type="text"/>
FREQ. (Hz)	<input type="text" value="90"/>	PART NO.	<input type="text" value="CS1P0305F"/>
CURRENT(AMP)	<input type="text" value="305"/>	TYPE	SJR-3 <input type="text" value="AN"/>
		WDG MATERIAL	<input type="text" value="CU"/>
TEMP. RISE °C	<input type="text" value="130"/>	ENCL. TYPE	<input type="text"/>
TEMP. CLASS °C	<input type="text" value="220"/>	WEIGHT lbs/kg	<input type="text" value="335/152"/>

WARNING: CAPACITOR VOLTAGE ABOVE 50V MAY REMAIN FOR 180 SECONDS AFTER POWER IS DISCONNECTED.

F0677EF



# hammond

POWER SOLUTIONS

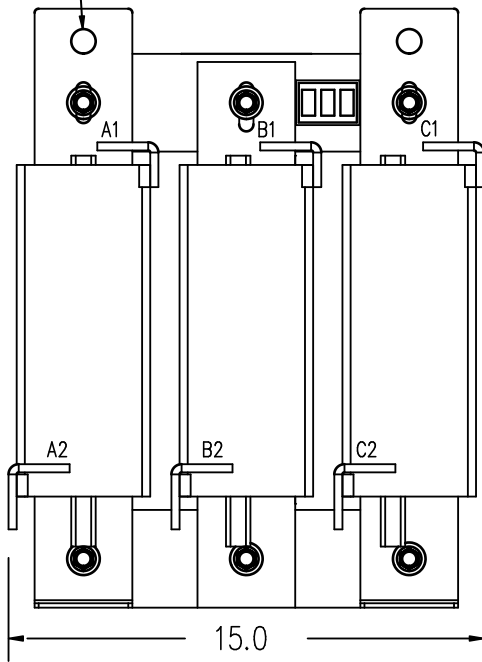
TITLE: LINE REACTOR  
NAMEPLATE INFORMATION

				DES: PBAKER
				DATE: 25/10/07
NO.	DATE	BY	REVISION	SCALE: NTS

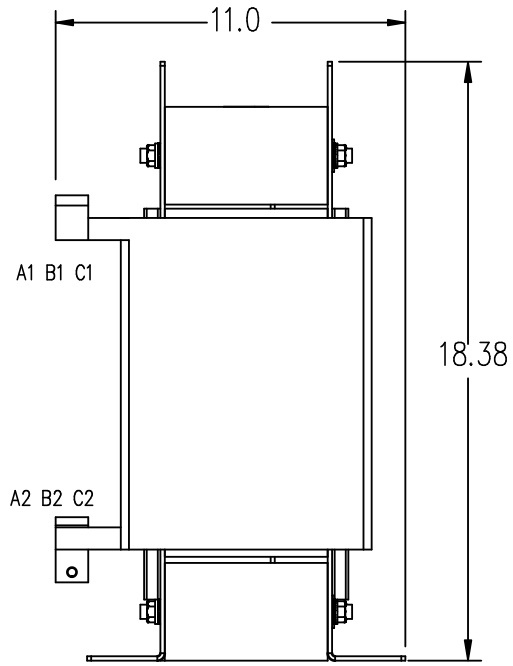
SHEET 1 OF 4

EDBCS1P0305F

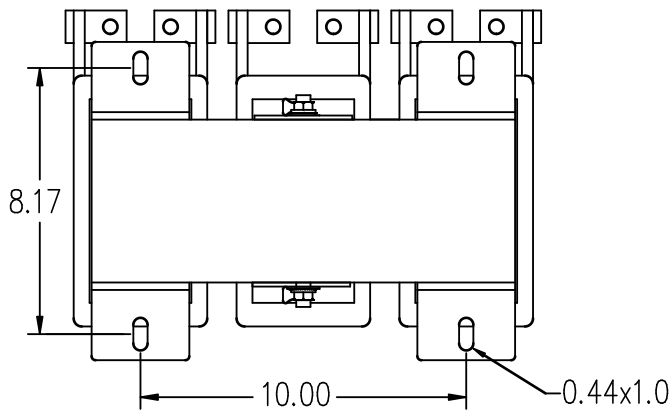
ø.8 LIFTING PROVISION



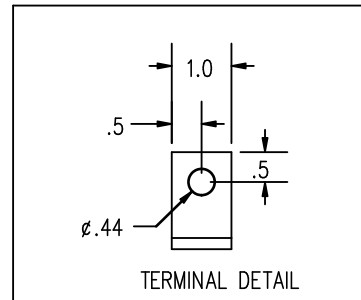
FRONT VIEW



SIDE VIEW



BOTTOM VIEW



TERMINAL DETAIL



TOLERANCES  
MOUNTING CENTERS = +/- .06"  
MOUNTING HOLE SIZE = +/- .005"

THIS DRAWING CONTAINS PROPRIETARY INFORMATION  
BELONGING TO HAMMOND POWER SOLUTIONS INC.,  
AND IS NOT FOR GENERAL DISTRIBUTION

All Dimensions in Inches  
mm in Parenthesis

FILTER



TITLE: LINE REACTOR  
FLOOR MOUNT DIMENSIONS

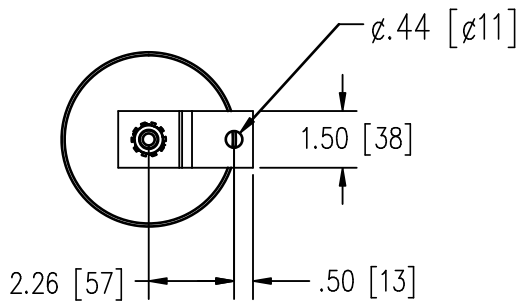
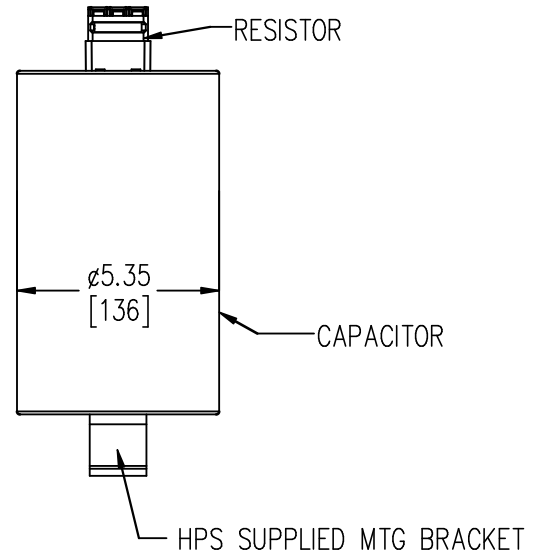
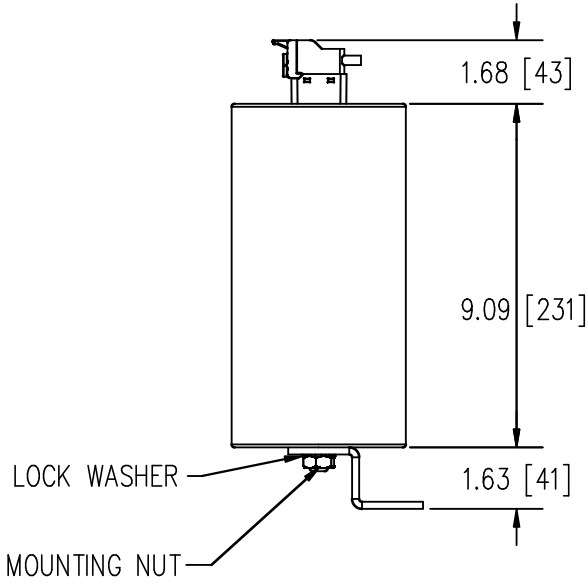
NO.	DATE	BY	REVISION	DES: PBAKER DATE: 25/10/07 SCALE: NTS

SHEET 2 OF 4

EDBCS1P0305F

0.2 httpd 2026/06/03 13:21

THIS DRAWING CONTAINS STRICTLY CONFIDENTIAL INFORMATION BELONGING TO HAMMOND POWER SOLUTIONS AND MUST NOT BE DISTRIBUTED OUTSIDE AUTHORIZED PARTIES.



- ENSURE CAPACITOR BLEEDER RESISTOR IS INSTALLED IN CAPACITOR TERMINAL BLOCK.
- BLEEDER RESISTOR MAY BE SUPPLIED LOOSE WITH THE CAPACITOR.
- USE MIN # 8 AWG CONDUCTORS TO CONNECT TO FILTER.
- USE WIRE RATED FOR AT LEAST 90°C AND SIZED BASIS OF 75\* AMPACITY.



TITLE: LINE REACTOR  
CAPACITOR DIMENSIONS  
(3 CAPACITOR REQUIRED)

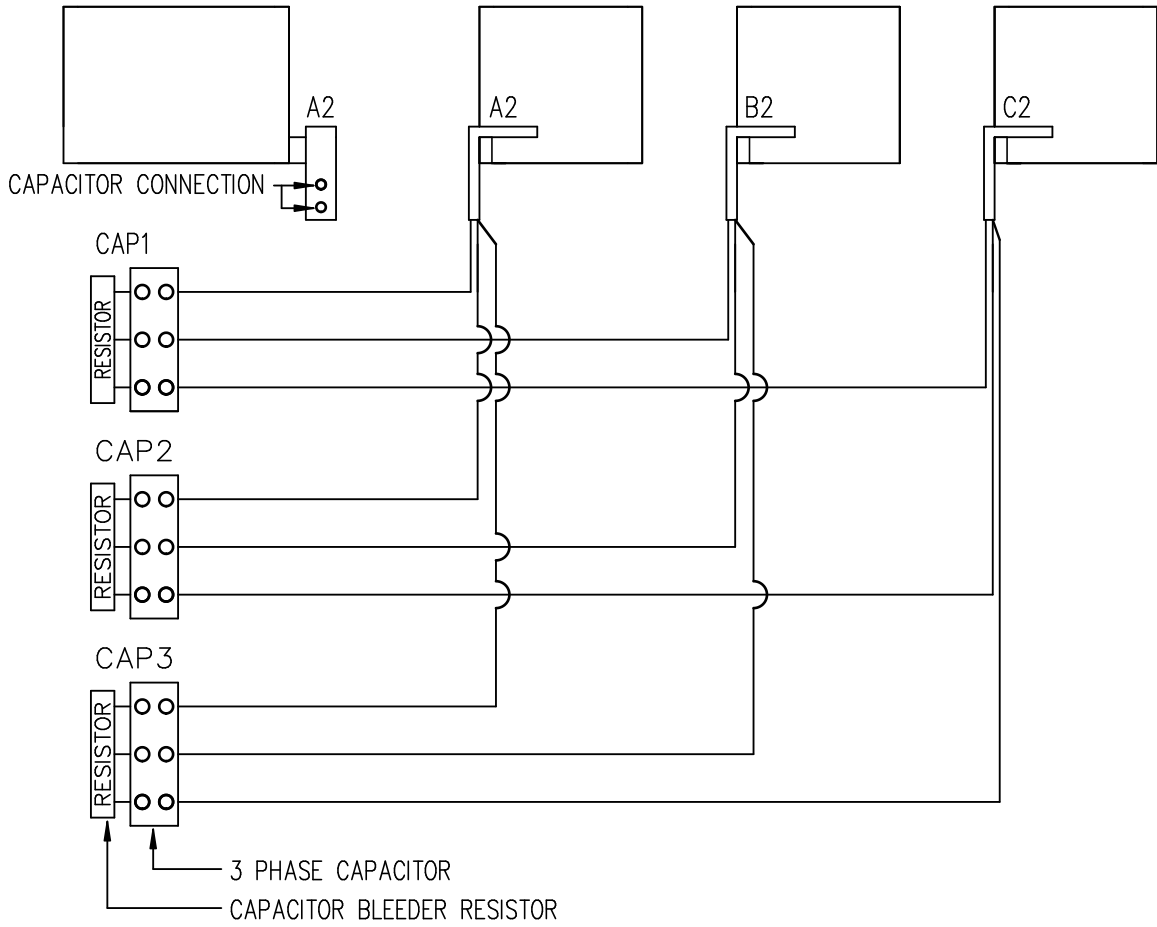
				DES: PBAKER
				DATE: 25/10/07
NO.	DATE	BY	REVISION	SCALE: NTS

SHEET 3 OF 4

EDBCS1P0305F

SIDE VIEW

FRONT VIEW



- ENSURE CAPACITOR BLEEDER RESISTOR IS INSTALLED IN CAPACITOR TERMINAL BLOCK.  
BLEEDER RESISTOR MAY BE SUPPLIED LOOSE WITH THE CAPACITOR.
- USE 1 WIRE ONLY FROM TERMINALS A2 B2 C2 TO EACH CAPACITOR. DONOT WIRE FROM CAPACITOR TO CAPACITOR.
- SEE CAPACITOR DRAWING FOR CORRECT CONDUCTOR SIZE.

THIS DRAWING CONTAINS STRICTLY CONFIDENTIAL INFORMATION BELONGING TO HAMMOND POWER SOLUTIONS AND MUST NOT BE DISTRIBUTED OUTSIDE AUTHORIZED PARTIES.



TITLE: LINE REACTOR  
CAPACITOR WIRING

				DES: PBAKER
				DATE: 25/10/07
NO.	DATE	BY	REVISION	SCALE: NTS

SHEET 4 OF 4

EDBCS1P0305F

0.2 httpd 2026/06/03 13:21