

hammond

POWER SOLUTIONS



US LISTED

E61431

GUELPH,ONT BARABOO,WI COMPTON,CA MONTERREY,MX

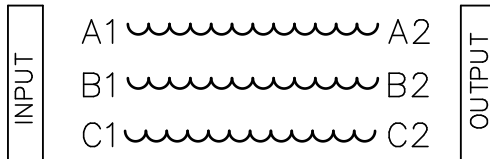
MADE IN CANADA

HPS Centurion S – 3 Phase SineWave Filter

RATING (HP)	<input type="text" value="300"/>	CUST. REF.	<input type="text"/>
SYS. VOLTAGE	<input type="text" value="600"/>	SERIAL NO.	<input type="text"/>
FREQ. (Hz)	<input type="text" value="90"/>	PART NO.	<input type="text" value="CS1P0305C"/>
CURRENT(AMP)	<input type="text" value="305"/>	TYPE SR-4	<input type="text" value="ANN"/>
		WDG MATERIAL	<input type="text" value="CU"/>
TEMP. RISE °C	<input type="text" value="130"/>	ENCL. TYPE	<input type="text" value="3R"/>
TEMP. CLASS °C	<input type="text" value="220"/>	WEIGHT lbs/kg	<input type="text" value="460/209"/>

WARNING: CAPACITOR VOLTAGE ABOVE 50V MAY REMAIN FOR 180 SECONDS AFTER POWER IS DISCONNECTED.

F0677EF



hammond

POWER SOLUTIONS

TITLE: LINE REACTOR
NAMEPLATE INFORMATION

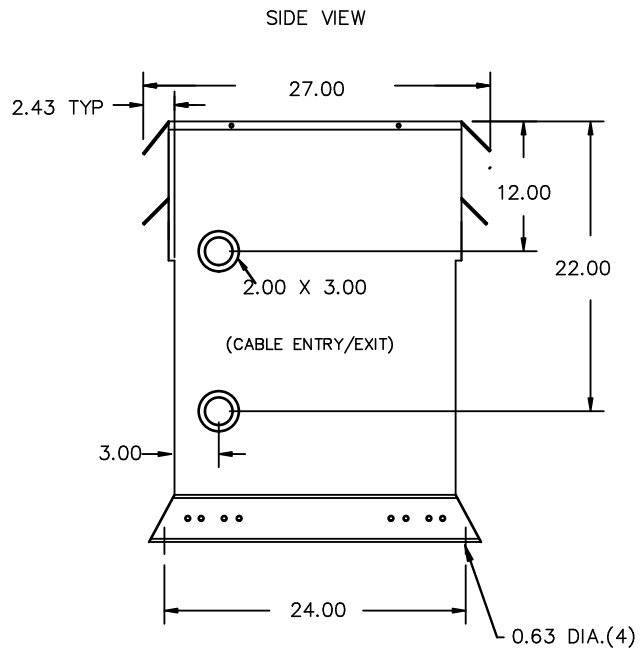
				DES: PBAKER
				DATE: 25/10/29
NO.	DATE	BY	REVISION	SCALE: NTS

SHEET 1 OF 2

EDBCS1P0305C

0.1 htpd 2026/06/04 12:27

THIS DRAWING CONTAINS STRICTLY CONFIDENTIAL INFORMATION BELONGING TO HAMMOND POWER SOLUTIONS AND MUST NOT BE DISTRIBUTED OUTSIDE AUTHORIZED PARTIES.

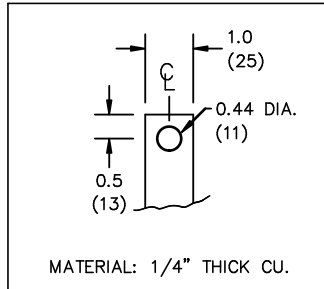
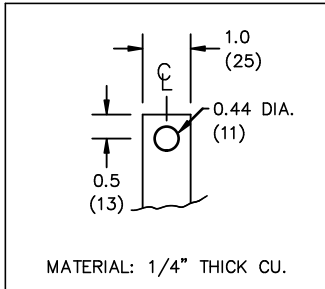


All Dimensions in inches

ENCLOSURE COLOR :ANSI 61 GREY – OUTDOOR

INPUT TERMINAL DETAIL

OUTPUT TERMINAL DETAIL



CUSTOMER NOTES:

- INPUT TERMINATED AT TOP FRONT
- OUTPUT TERMINATED AT BOTTOM FRONT



TITLE: LINE REACTOR
ENCLOSURE & TERMINATION DETAILS

DES:	PBAKER
DATE:	25/10/29
SCALE:	NTS

NO.	DATE	BY	REVISION

SHEET 2 OF 2

EDBCS1P0305C