

hammond

POWER SOLUTIONS



US LISTED

E61431

GUELPH,ONT BARABOO,WI COMPTON,CA MONTERREY,MX

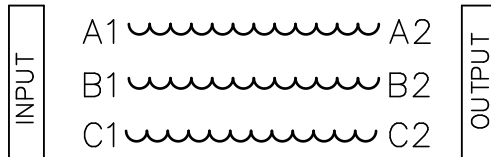
MADE IN CANADA

HPS Centurion S – 3 Phase SineWave Filter

RATING (HP)	<input type="text" value="250"/>	CUST. REF.	<input type="text"/>
SYS. VOLTAGE	<input type="text" value="600"/>	SERIAL NO.	<input type="text"/>
FREQ. (Hz)	<input type="text" value="90"/>	PART NO.	<input type="text" value="CS1P0250F"/>
CURRENT(AMP)	<input type="text" value="250"/>	TYPE	SJR-4 <input type="text" value="ANN"/>
		WDG MATERIAL	<input type="text" value="CU"/>
TEMP. RISE °C	<input type="text" value="130"/>	ENCL. TYPE	<input type="text"/>
TEMP. CLASS °C	<input type="text" value="220"/>	WEIGHT lbs	<input type="text" value="251"/>

WARNING: CAPACITOR VOLTAGE ABOVE 50V MAY REMAIN FOR 180 SECONDS AFTER POWER IS DISCONNECTED.

F0677EF



hammond

POWER SOLUTIONS

TITLE: LINE REACTOR NAMEPLATE INFORMATION				
				DES: MVAGHANI
				DATE: 26/03/17
NO.	DATE	BY	REVISION	SCALE: NTS

SHEET 1 OF 5

EDBCS1P0250F

0.5 httpd 2026/06/03 11:50 THIS DRAWING CONTAINS STRICTLY CONFIDENTIAL INFORMATION BELONGING TO HAMMOND POWER SOLUTIONS AND MUST NOT BE DISTRIBUTED OUTSIDE AUTHORIZED PARTIES.

SHEET 2 OF 5

EDBCS1P0250F

TITLE: LINE REACTOR FLOOR MOUNT DIMENSIONS				DES: MVAGHANI
				DATE: 26/03/17
NO.	DATE	BY	REVISION	SCALE: NTS

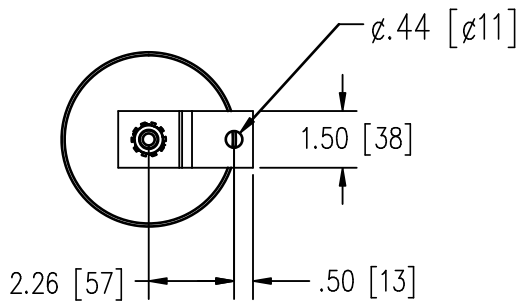
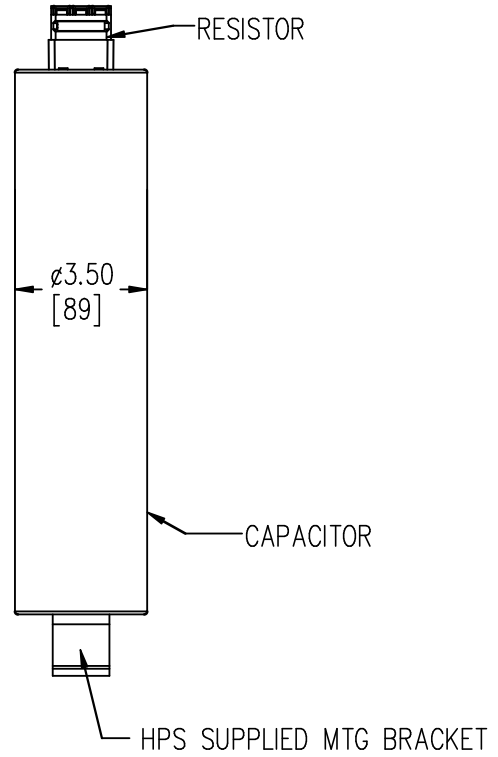
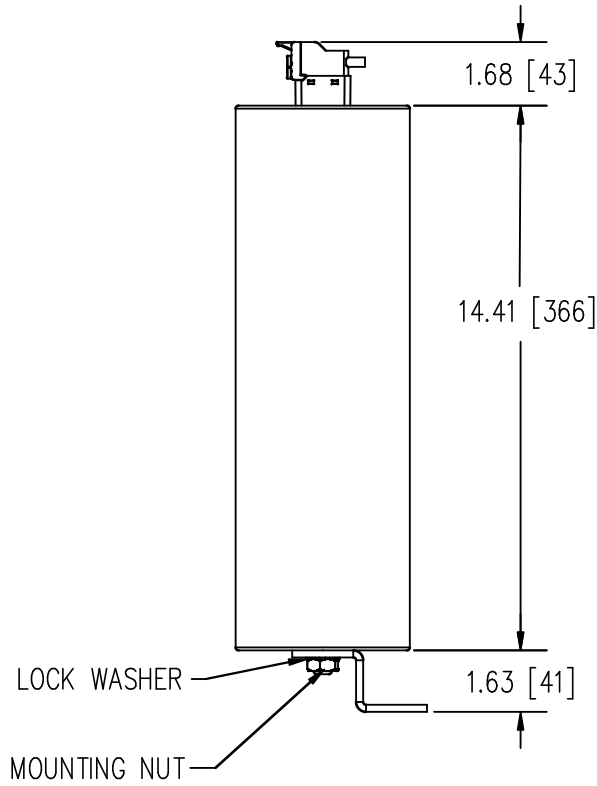




TITLE: LINE REACTOR WALL MOUNT DIMENSIONS			
			DES: MVAGHANI
			DATE: 26/03/17
NO.	DATE	BY	REVISION
			SCALE: NTS

SHEET 3 OF 5

EDBCS1P0250F



- ENSURE CAPACITOR BLEEDER RESISTOR IS INSTALLED IN CAPACITOR TERMINAL BLOCK.
- BLEEDER RESISTOR MAY BE SUPPLIED LOOSE WITH THE CAPACITOR.
- USE MIN # 8 AWG CONDUCTORS TO CONNECT TO FILTER.
- USE WIRE RATED FOR AT LEAST 90°C AND SIZED BASIS OF 75% AMPACITY.

THIS DRAWING CONTAINS STRICTLY CONFIDENTIAL INFORMATION BELONGING TO HAMMOND POWER SOLUTIONS AND MUST NOT BE DISTRIBUTED OUTSIDE AUTHORIZED PARTIES.

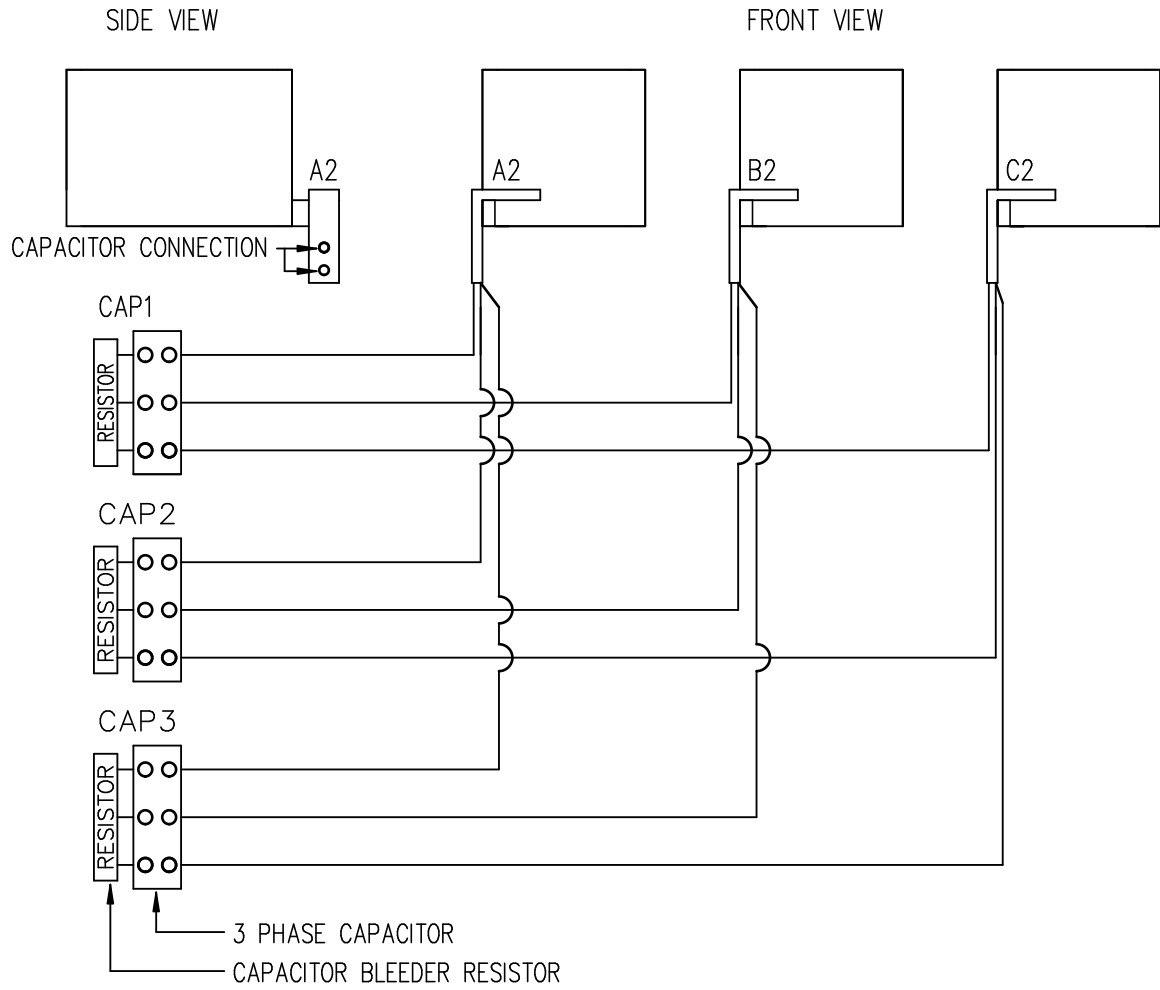


TITLE: LINE REACTOR
CAPACITOR DIMENSIONS
(3 CAPACITOR REQUIRED)

				DES: MVAGHANI
				DATE: 26/03/17
NO.	DATE	BY	REVISION	SCALE: NTS

SHEET 4 OF 5

EDBCS1P0250F



- ENSURE CAPACITOR BLEEDER RESISTOR IS INSTALLED IN CAPACITOR TERMINAL BLOCK.
BLEEDER RESISTOR MAY BE SUPPLIED LOOSE WITH THE CAPACITOR.
- USE 1 WIRE ONLY FROM TERMINALS A2 B2 C2 TO EACH CAPACITOR. DONOT WIRE FROM CAPACITOR TO CAPACITOR.
- SEE CAPACITOR DRAWING FOR CORRECT CONDUCTOR SIZE.



TITLE: LINE REACTOR
CAPACITOR WIRING

NO.	DATE	BY	REVISION	DES: MVAGHANI
				DATE: 26/03/17
				SCALE: NTS

SHEET 5 OF 5

EDBCS1P0250F