

**hammond**  
POWER SOLUTIONS



US LISTED

E61431

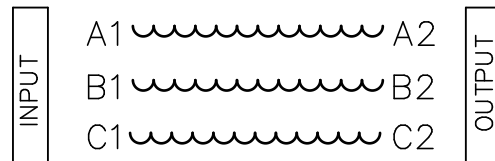
GUELPH,ONT BARABOO,WI COMPTON,CA MONTERREY,MX

MADE IN CANADA

HPS Centurion S – 3 Phase SineWave Filter

RATING (HP)	<input type="text" value="200"/>	CUST. REF.	<input type="text"/>
SYS. VOLTAGE	<input type="text" value="600"/>	SERIAL NO.	<input type="text"/>
FREQ. (Hz)	<input type="text" value="90"/>	PART NO.	<input type="text" value="CS1P0200C"/>
CURRENT(AMP)	<input type="text" value="200"/>	TYPE SR-4	<input type="text" value="ANN"/>
		WDG MATERIAL	<input type="text" value="CU"/>
TEMP. RISE °C	<input type="text" value="130"/>	ENCL. TYPE	<input type="text" value="3R"/>
TEMP. CLASS °C	<input type="text" value="220"/>	WEIGHT lbs/kg	<input type="text" value="362/165"/>

F0677EF



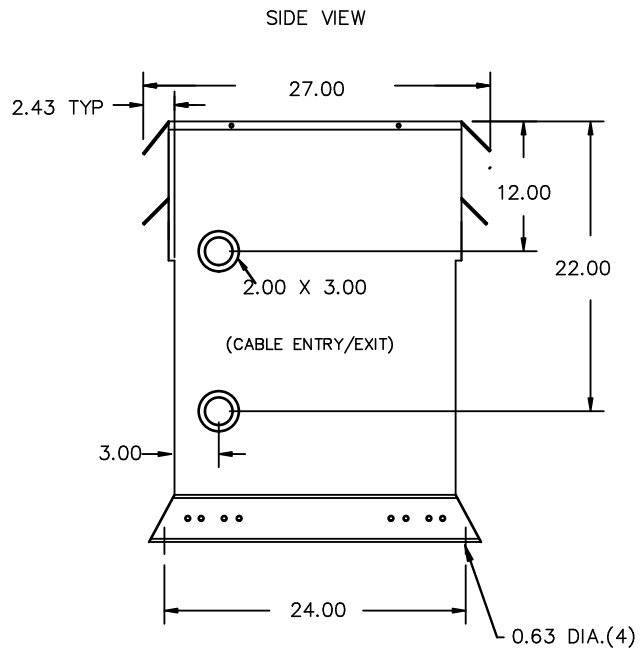
**hammond**  
POWER SOLUTIONS

TITLE: LINE REACTOR NAMEPLATE INFORMATION				
				DES: MVAGHANI
				DATE: 26/05/25
NO.	DATE	BY	REVISION	SCALE: NTS

SHEET 1 OF 2  
EDBCS1P0200C

THIS DRAWING CONTAINS STRICTLY CONFIDENTIAL INFORMATION BELONGING TO HAMMOND POWER SOLUTIONS AND MUST NOT BE DISTRIBUTED OUTSIDE AUTHORIZED PARTIES.

0.2 httpd 2026/06/04 12:13

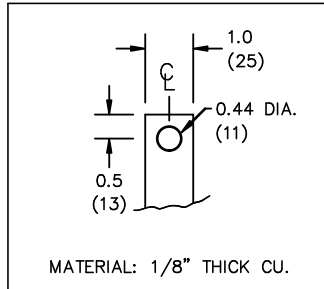
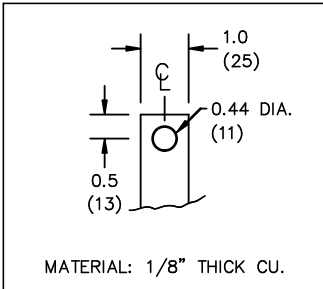


All Dimensions in inches

ENCLOSURE COLOR :ANSI 61 GREY – OUTDOOR

INPUT TERMINAL DETAIL

OUTPUT TERMINAL DETAIL



CUSTOMER NOTES:

- INPUT TERMINATED AT TOP FRONT
- OUTPUT TERMINATED AT BOTTOM FRONT



TITLE: LINE REACTOR

DES:	MVAGHANI
DATE:	26/05/25
SCALE:	NTS

NO.	DATE	BY	REVISION

SHEET 2 OF 2

EDBCS1P0200C