

hammond

POWER SOLUTIONS



US LISTED

E61431

GUELPH,ONT BARABOO,WI COMPTON,CA MONTERREY,MX

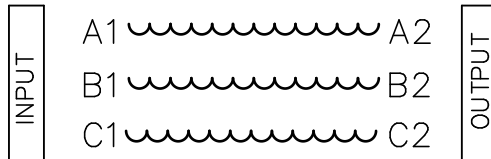
MADE IN CANADA

HPS Centurion S – 3 Phase SineWave Filter

RATING (HP)	<input type="text" value="125"/>	CUST. REF.	<input type="text"/>
SYS. VOLTAGE	<input type="text" value="600"/>	SERIAL NO.	<input type="text"/>
FREQ. (Hz)	<input type="text" value="90"/>	PART NO.	<input type="text" value="CS1P0130F"/>
CURRENT(AMP)	<input type="text" value="130"/>	TYPE	SJR-3 <input type="text" value="AN"/>
		WDG MATERIAL	<input type="text" value="CU"/>
TEMP. RISE °C	<input type="text" value="130"/>	ENCL. TYPE	<input type="text"/>
TEMP. CLASS °C	<input type="text" value="220"/>	WEIGHT lbs	<input type="text" value="124"/>

WARNING: CAPACITOR VOLTAGE ABOVE 50V MAY REMAIN FOR 180 SECONDS AFTER POWER IS DISCONNECTED.

F0677EF



hammond

POWER SOLUTIONS

TITLE: SINEWAVE FILTER
NAMEPLATE INFORMATION

				DES: MVAGHANI
				DATE: 26/03/17
NO.	DATE	BY	REVISION	SCALE: NTS

SHEET 1 OF 5

EDBCS1P0130F



TITLE: SINEWAVE FILTER FLOOR MOUNT DIMENSIONS			
			DES: MVAGHANI
			DATE: 26/03/17
NO.	DATE	BY	REVISION
			SCALE: NTS

SHEET 2 OF 5

EDBCS1P0130F

0.3 httpd 2026/06/03 09:41

THIS DRAWING CONTAINS STRICTLY CONFIDENTIAL INFORMATION BELONGING TO HAMMOND POWER SOLUTIONS AND MUST NOT BE DISTRIBUTED OUTSIDE AUTHORIZED PARTIES.



TITLE: SINEWAVE FILTER
WALL MOUNT DIMENSIONS

NO.	DATE	BY	REVISION

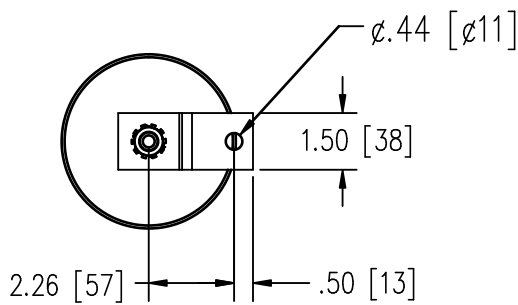
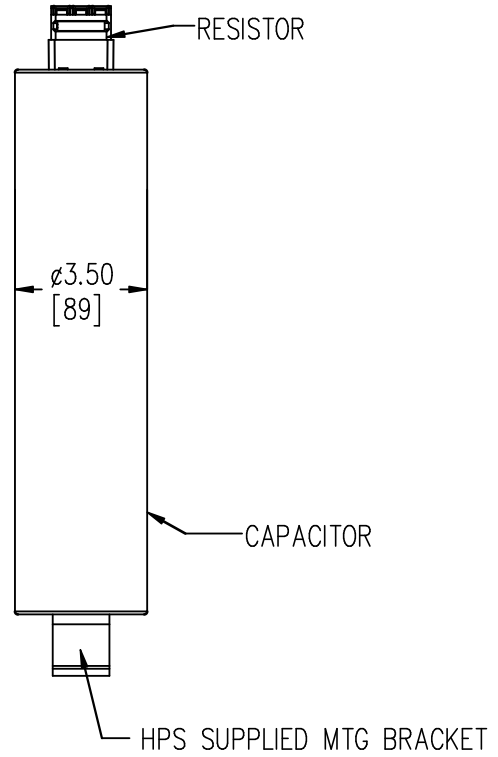
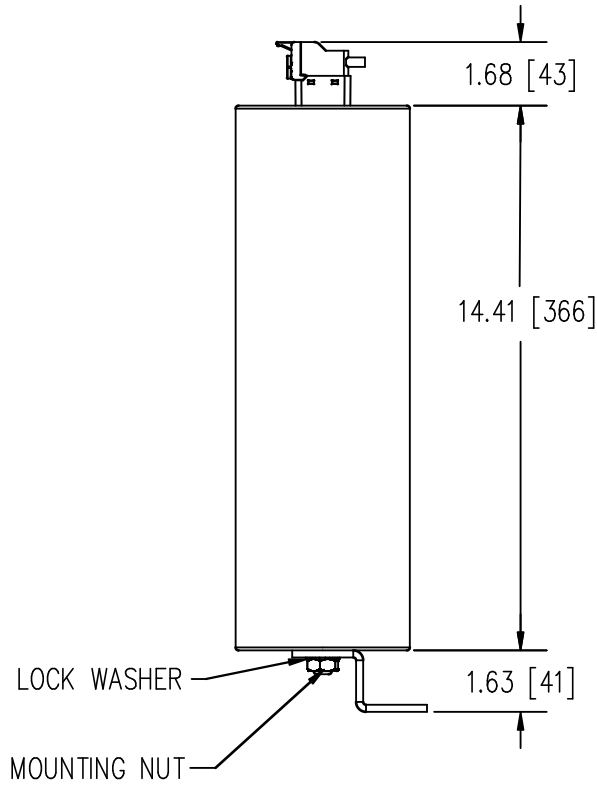
DES: MVAGHANI
DATE: 26/03/17
SCALE: NTS

SHEET 3 OF 5

EDBCS1P0130F

0.3 httpd 2026/06/03 09:41

THIS DRAWING CONTAINS STRICTLY CONFIDENTIAL INFORMATION BELONGING TO HAMMOND POWER SOLUTIONS AND MUST NOT BE DISTRIBUTED OUTSIDE AUTHORIZED PARTIES.



- ENSURE CAPACITOR BLEEDER RESISTOR IS INSTALLED IN CAPACITOR TERMINAL BLOCK.
- BLEEDER RESISTOR MAY BE SUPPLIED LOOSE WITH THE CAPACITOR.
- USE MIN # 8 AWG CONDUCTORS TO CONNECT TO FILTER.
- USE WIRE RATED FOR AT LEAST 90°C AND SIZED BASIS OF 75% AMPACITY.

THIS DRAWING CONTAINS STRICTLY CONFIDENTIAL INFORMATION BELONGING TO HAMMOND POWER SOLUTIONS AND MUST NOT BE DISTRIBUTED OUTSIDE AUTHORIZED PARTIES.

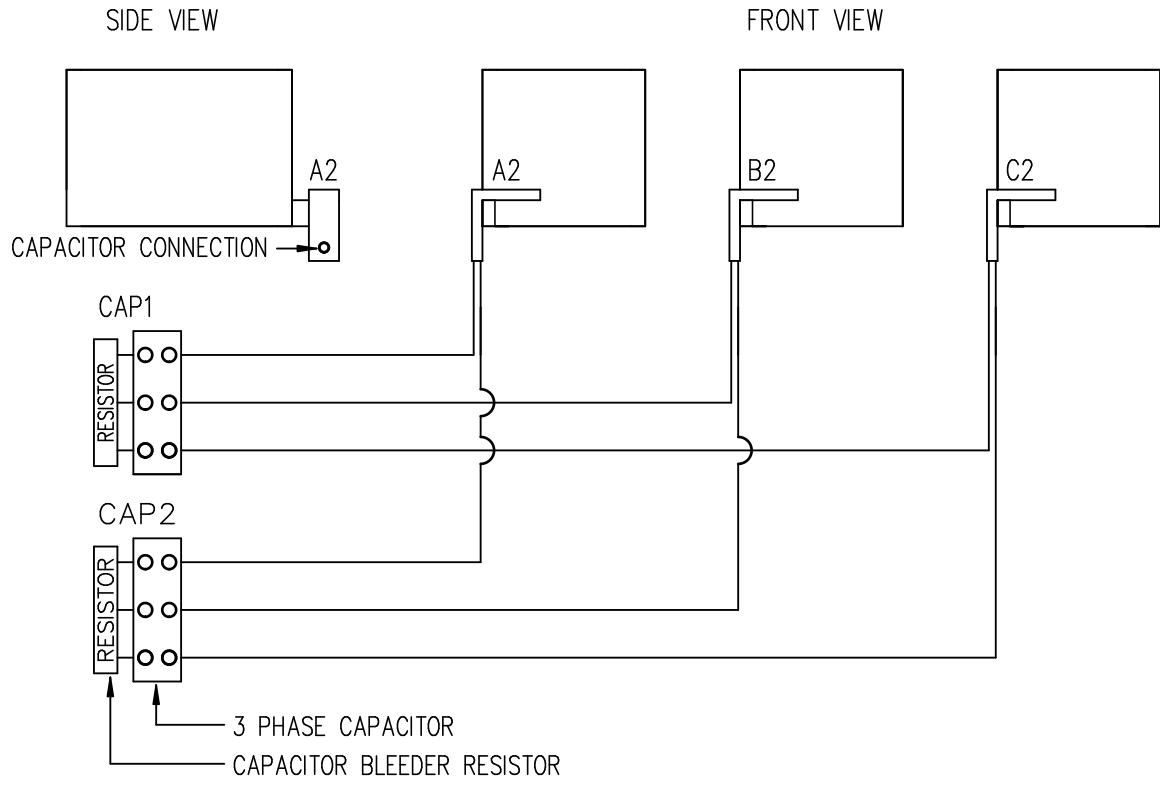


TITLE: SINEWAVE FILTER
CAPACITOR DIMENSIONS
(2 CAPACITOR REQUIRED)

				DES: MVAGHANI
				DATE: 26/03/17
NO.	DATE	BY	REVISION	SCALE: NTS

SHEET 4 OF 5

EDBCS1P0130F



- ENSURE CAPACITOR BLEEDER RESISTOR IS INSTALLED IN CAPACITOR TERMINAL BLOCK.
BLEEDER RESISTOR MAY BE SUPPLIED LOOSE WITH THE CAPACITOR.
- USE 1 WIRE ONLY FROM TERMINALS A2 B2 C2 TO EACH CAPACITOR. DONOT WIRE FROM CAPACITOR TO CAPACITOR.
- SEE CAPACITOR DRAWING FOR CORRECT CONDUCTOR SIZE.

THIS DRAWING CONTAINS STRICTLY CONFIDENTIAL INFORMATION BELONGING TO HAMMOND POWER SOLUTIONS AND MUST NOT BE DISTRIBUTED OUTSIDE AUTHORIZED PARTIES.



TITLE:		SINEWAVE FILTER CAPACITOR WIRING		
		DES: MVAGHANI		
		DATE: 26/03/17		
		SCALE: NTS		
NO.	DATE	BY	REVISION	

SHEET 5 OF 5
EDBCS1P0130F

0.3 httpd 2026/06/03 09:41