

**hammond**  
POWER SOLUTIONS



US LISTED

E61431

GUELPH,ONT BARABOO,WI COMPTON,CA MONTERREY,MX

MADE IN CANADA

HPS Centurion S – 3 Phase SineWave Filter

RATING (HP)

CUST. REF.

SYS. VOLTAGE

SERIAL NO.

FREQ. (Hz)

PART NO.

CURRENT(AMP)

TYPE SJR-3

WDG MATERIAL

TEMP. RISE °C

ENCL. TYPE

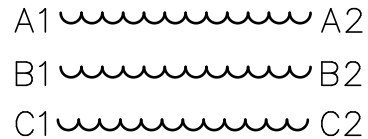
TEMP. CLASS °C

WEIGHT lbs/kg

WARNING: CAPACITOR VOLTAGE ABOVE 50V MAY REMAIN FOR 180 SECONDS AFTER POWER IS DISCONNECTED.

F0677EF

INPUT



OUTPUT

**hammond**  
POWER SOLUTIONS

TITLE: SINEWAVE FILTER  
NAMEPLATE INFORMATION

				DES: MVAGHANI
				DATE: 26/03/03
NO.	DATE	BY	REVISION	SCALE: NTS

SHEET 1 OF 5

EDBCS1P0045F

SHEET 2 OF 5

EDBCS1P0045F

TITLE: SINEWAVE FILTER FLOOR MOUNT DIMENSIONS				DES: MVAGHANI
				DATE: 26/03/03
NO.	DATE	BY	REVISION	SCALE: NTS

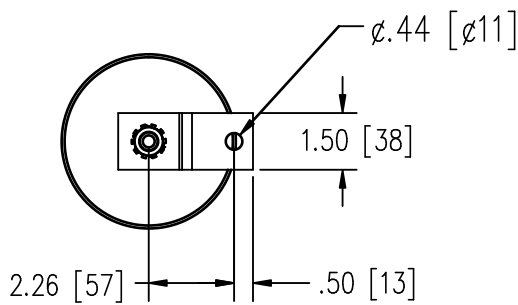
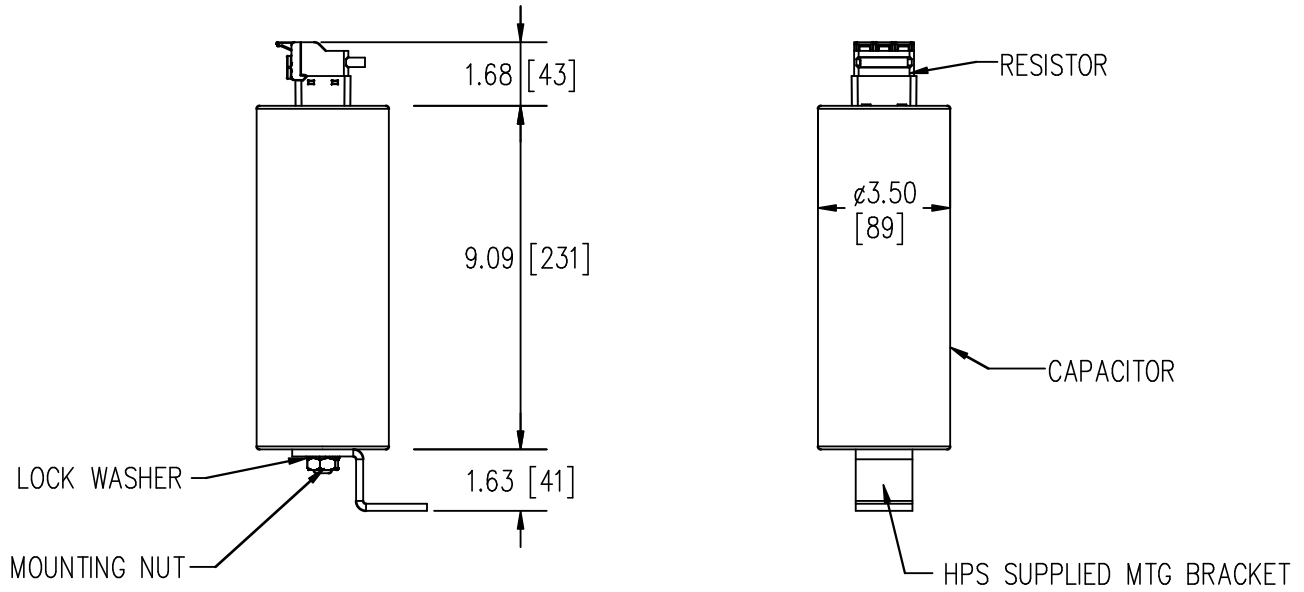


SHEET 3 OF 5

EDBCS1P0045F

TITLE: SINEWAVE FILTER WALL MOUNT DIMENSIONS				DES: MVAGHANI
				DATE: 26/03/03
NO.	DATE	BY	REVISION	SCALE: NTS





- ENSURE CAPACITOR BLEEDER RESISTOR IS INSTALLED IN CAPACITOR TERMINAL BLOCK.
- BLEEDER RESISTOR MAY BE SUPPLIED LOOSE WITH THE CAPACITOR.
- USE MIN # 12 AWG CONDUCTORS TO CONNECT TO FILTER.
- USE WIRE RATED FOR AT LEAST 90°C AND SIZED BASIS OF 75° AMPACITY.



TITLE: SINEWAVE FILTER  
CAPACITOR DIMENSIONS  
(1 CAPACITOR REQUIRED)

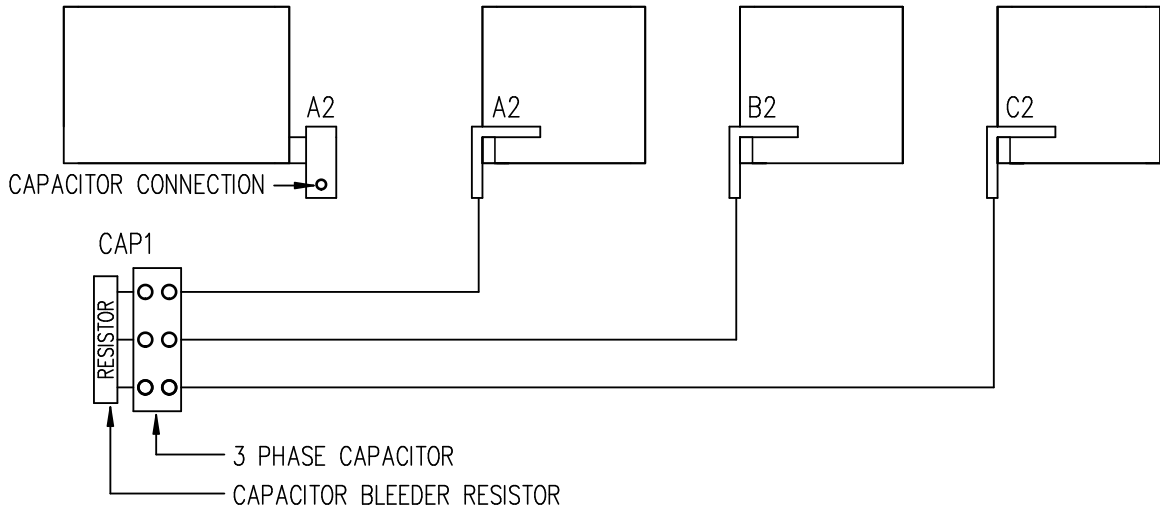
				DES: MVAGHANI
				DATE: 26/03/03
NO.	DATE	BY	REVISION	SCALE: NTS

SHEET 4 OF 5

EDBCS1P0045F

SIDE VIEW

FRONT VIEW



- ENSURE CAPACITOR BLEEDER RESISTOR IS INSTALLED IN CAPACITOR TERMINAL BLOCK.  
BLEEDER RESISTOR MAY BE SUPPLIED LOOSE WITH THE CAPACITOR.
- SEE CAPACITOR DRAWING FOR CORRECT CONDUCTOR SIZE.

THIS DRAWING CONTAINS STRICTLY CONFIDENTIAL INFORMATION BELONGING TO HAMMOND POWER SOLUTIONS AND MUST NOT BE DISTRIBUTED OUTSIDE AUTHORIZED PARTIES.



TITLE: SINEWAVE FILTER  
CAPACITOR WIRING

NO.	DATE	BY	REVISION	DES: MVAGHANI
				DATE: 26/03/03
				SCALE: NTS

SHEET 5 OF 5

EDBCS1P0045F

0.5 httpd 2026/06/24 21:09