

hammond
POWER SOLUTIONS



US LISTED

E61431

GUELPH,ONT BARABOO,WI COMPTON,CA MONTERREY,MX

MADE IN CANADA

HPS Centurion S – 3 Phase SineWave Filter

RATING (HP)

CUST. REF.

SYS. VOLTAGE

SERIAL NO.

FREQ. (Hz)

PART NO.

CURRENT(AMP)

TYPE SJR-2

WDG MATERIAL

TEMP. RISE °C

ENCL. TYPE

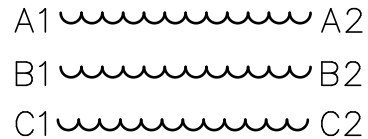
TEMP. CLASS °C

WEIGHT lbs

WARNING: CAPACITOR VOLTAGE ABOVE 50V MAY REMAIN FOR 180 SECONDS AFTER POWER IS DISCONNECTED.

F0677EF

INPUT



OUTPUT

hammond
POWER SOLUTIONS

TITLE: SINEWAVE FILTER
NAMEPLATE INFORMATION

| | | | | |
|-----|------|----|----------|----------------|
| | | | | DES: MVAGHANI |
| | | | | DATE: 26/04/15 |
| NO. | DATE | BY | REVISION | SCALE: NTS |

SHEET 1 OF 5

EDBCS1P0018F



| | | | |
|--|------|----|----------------|
| TITLE: SINEWAVE FILTER FLOOR MOUNT DIMENSIONS | | | |
| | | | DES: MVAGHANI |
| | | | DATE: 26/04/15 |
| NO. | DATE | BY | REVISION |
| | | | SCALE: NTS |

SHEET 2 OF 5

EDBCS1P0018F



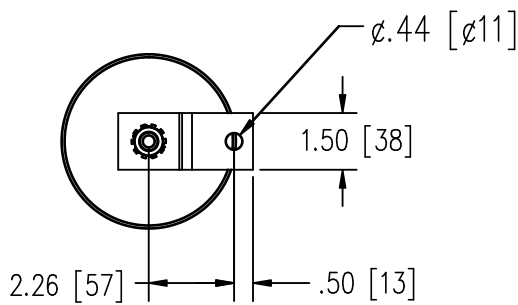
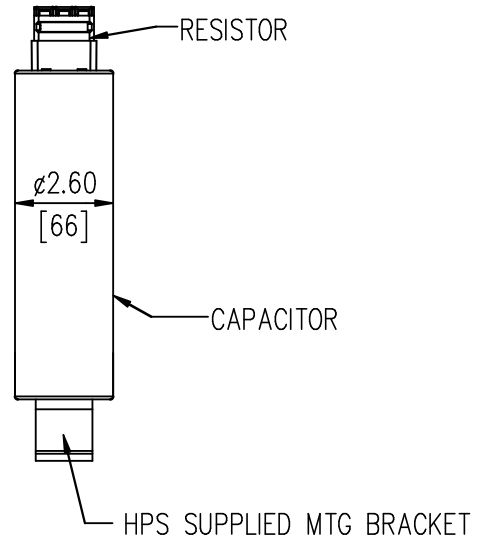
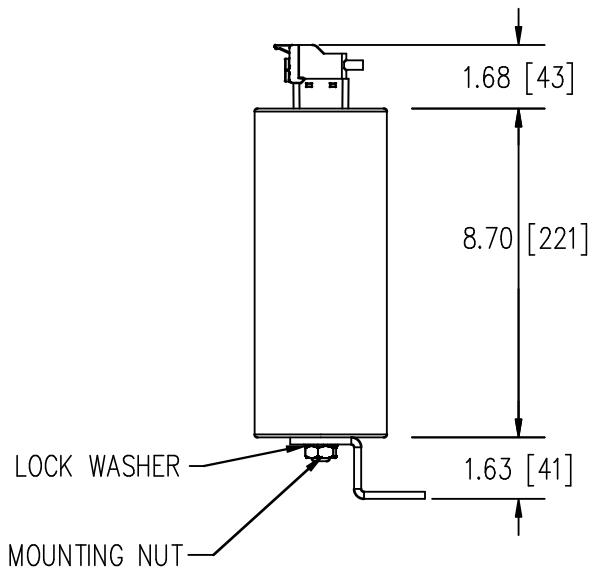
TITLE: SINEWAVE FILTER
WALL MOUNT DIMENSIONS

| NO. | DATE | BY | REVISION |
|-----|------|----|----------|
| | | | |

| |
|----------------|
| DES: MVAGHANI |
| DATE: 26/04/15 |
| SCALE: NTS |

SHEET 3 OF 5

EDBCS1P0018F



- ENSURE CAPACITOR BLEEDER RESISTOR IS INSTALLED IN CAPACITOR TERMINAL BLOCK.
- BLEEDER RESISTOR MAY BE SUPPLIED LOOSE WITH THE CAPACITOR.
- USE MIN # 14 AWG CONDUCTORS TO CONNECT TO FILTER.
- USE WIRE RATED FOR AT LEAST 90°C AND SIZED BASIS OF 75° AMPACITY.



TITLE: SINEWAVE FILTER
CAPACITOR DIMENSIONS
(1 CAPACITOR REQUIRED)

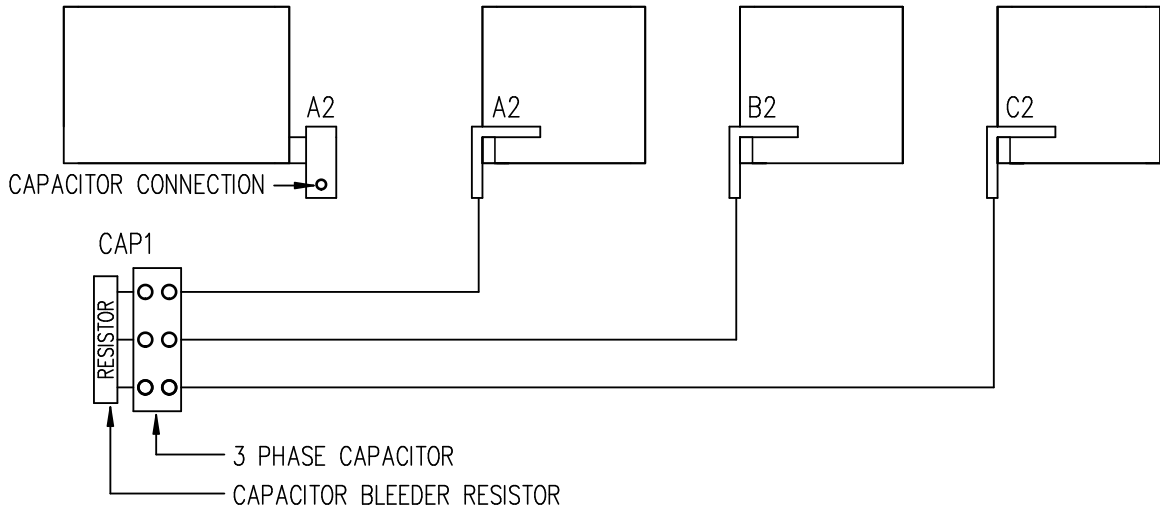
| | | | | |
|-----|------|----|----------|----------------|
| | | | | DES: MVAGHANI |
| | | | | DATE: 26/04/15 |
| NO. | DATE | BY | REVISION | SCALE: NTS |

SHEET 4 OF 5

EDBCS1P0018F

SIDE VIEW

FRONT VIEW



- ENSURE CAPACITOR BLEEDER RESISTOR IS INSTALLED IN CAPACITOR TERMINAL BLOCK.
BLEEDER RESISTOR MAY BE SUPPLIED LOOSE WITH THE CAPACITOR.
- SEE CAPACITOR DRAWING FOR CORRECT CONDUCTOR SIZE.

THIS DRAWING CONTAINS STRICTLY CONFIDENTIAL INFORMATION BELONGING TO HAMMOND POWER SOLUTIONS AND MUST NOT BE DISTRIBUTED OUTSIDE AUTHORIZED PARTIES.



TITLE: SINEWAVE FILTER
CAPACITOR WIRING

| | | | | |
|-----|------|----|----------|----------------|
| | | | | DES: MVAGHANI |
| | | | | DATE: 26/04/15 |
| NO. | DATE | BY | REVISION | SCALE: NTS |

SHEET 5 OF 5

EDBCS1P0018F

0.2 httpd 2026/06/03 11:50