

hammond

POWER SOLUTIONS



US LISTED

E61431

GUELPH, ONT BARABOO, WI COMPTON, CA MONTERREY, MX

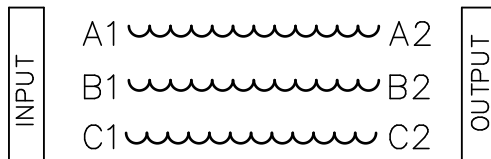
MADE IN CANADA

HPS Centurion S – 3 Phase SineWave Filter

RATING (HP)	<input type="text" value="400"/>	CUST. REF.	<input type="text"/>
SYS. VOLTAGE	<input type="text" value="480"/>	SERIAL NO.	<input type="text"/>
FREQ. (Hz)	<input type="text" value="90"/>	PART NO.	<input type="text" value="CS1K0480F"/>
CURRENT (AMP)	<input type="text" value="480"/>	TYPE	SJR-4 <input type="text" value="AN"/>
		WDG MATERIAL	<input type="text" value="CU"/>
TEMP. RISE °C	<input type="text" value="130"/>	ENCL. TYPE	<input type="text"/>
TEMP. CLASS °C	<input type="text" value="220"/>	WEIGHT lbs/kg	<input type="text" value="330/150"/>

USE WITH SUITABLY RATED LISTED (ZMVV) LUGS
WINDING TERMINAL TEMPERATURE: 75° C

F0677EF



hammond

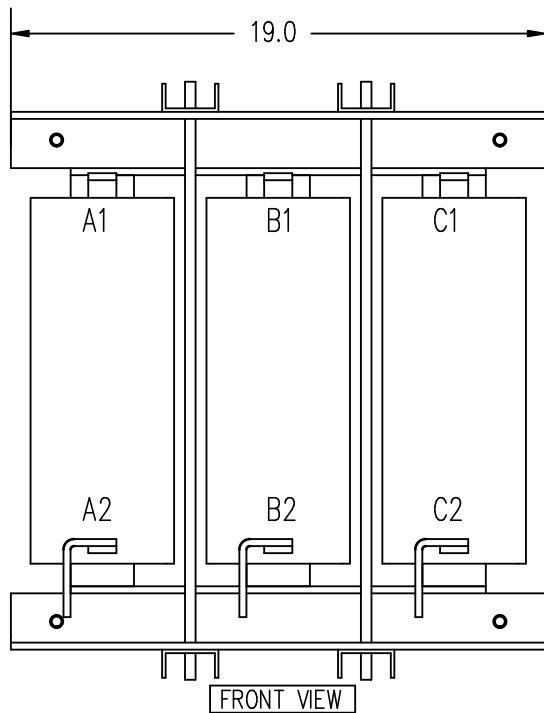
POWER SOLUTIONS

TITLE: LINE REACTOR
NAMEPLATE INFORMATION

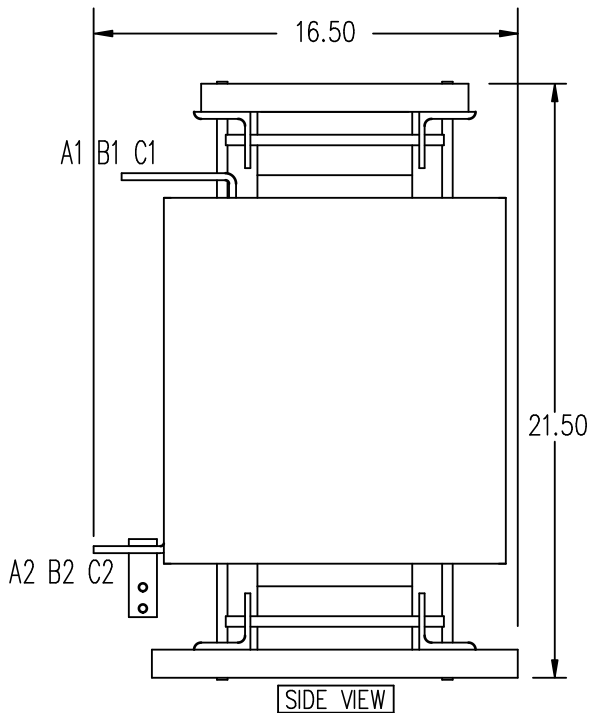
				DES: MVAGHANI
				DATE: 26/03/09
NO.	DATE	BY	REVISION	SCALE: NTS

SHEET 1 OF 5

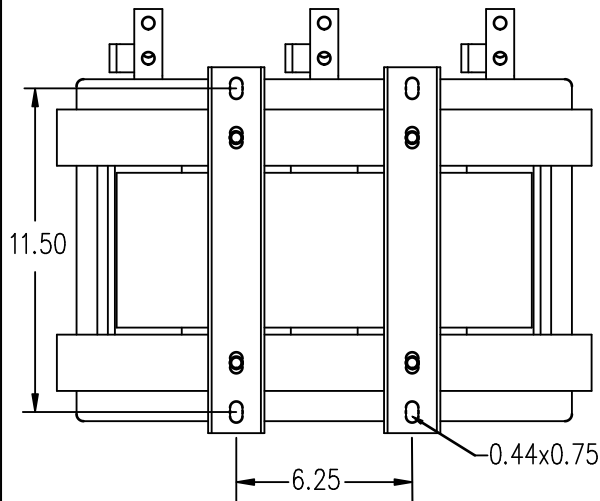
EDBCS1K0480F



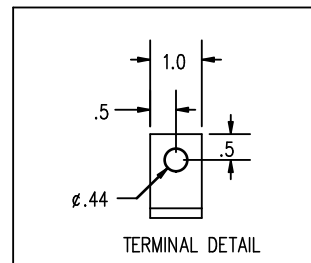
FRONT VIEW



SIDE VIEW



BOTTOM VIEW



TERMINAL DETAIL



TOLERANCES
MOUNTING CENTERS = +/- .06"
MOUNTING HOLE SIZE = +/- .005"

THIS DRAWING CONTAINS PROPRIETARY INFORMATION
BELONGING TO HAMMOND POWER SOLUTIONS INC.,
AND IS NOT FOR GENERAL DISTRIBUTION

All Dimensions in Inches
mm in Parenthesis

FILTER

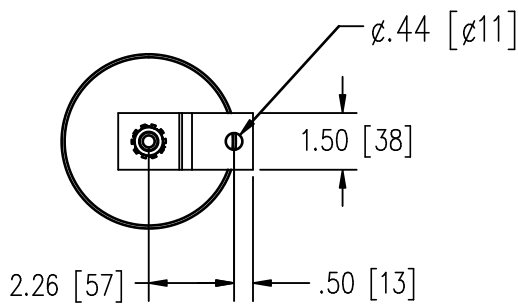
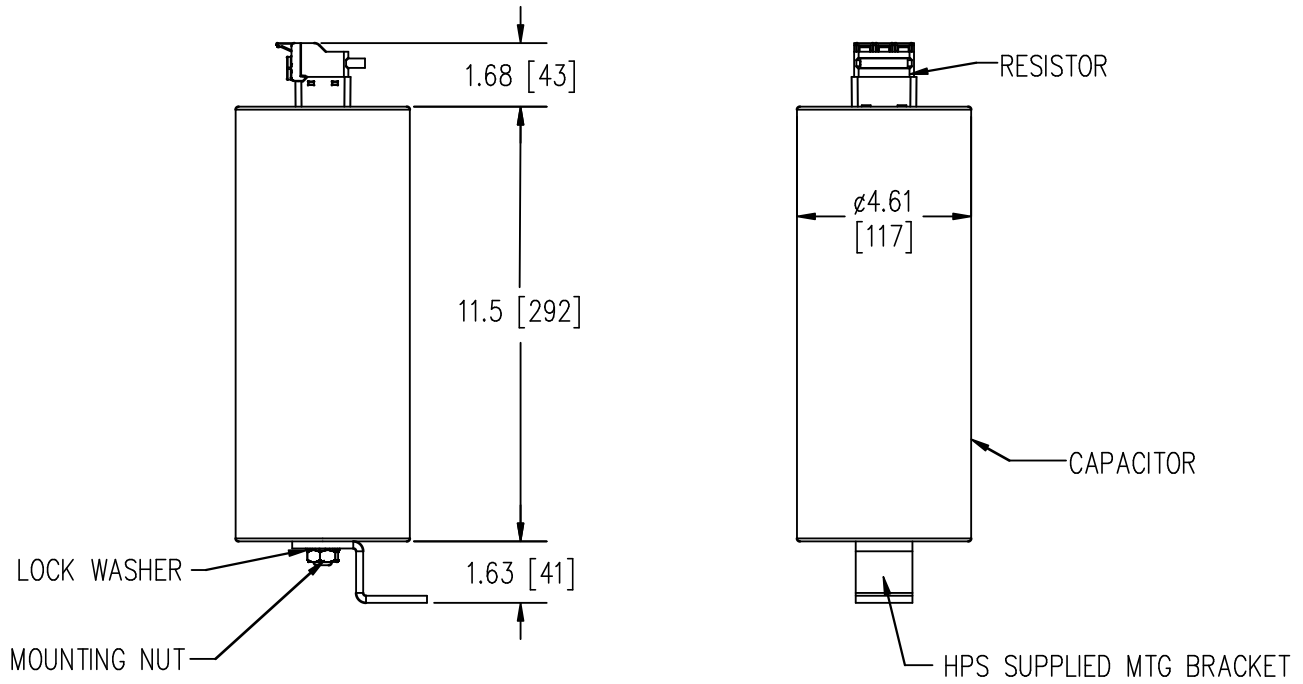


TITLE: LINE REACTOR
FLOOR MOUNT DIMENSIONS

NO.	DATE	BY	REVISION	DES: MVAGHANI
				DATE: 26/03/09
				SCALE: NTS

SHEET 2 OF 5

EDBCS1K0480F



- ENSURE CAPACITOR BLEEDER RESISTOR IS INSTALLED IN CAPACITOR TERMINAL BLOCK.
- BLEEDER RESISTOR MAY BE SUPPLIED LOOSE WITH THE CAPACITOR.
- USE MIN # 8 AWG CONDUCTORS TO CONNECT TO FILTER.
- USE WIRE RATED FOR AT LEAST 90°C AND SIZED BASIS OF 75* AMPACITY.

THIS DRAWING CONTAINS STRICTLY CONFIDENTIAL INFORMATION BELONGING TO HAMMOND POWER SOLUTIONS AND MUST NOT BE DISTRIBUTED OUTSIDE AUTHORIZED PARTIES.

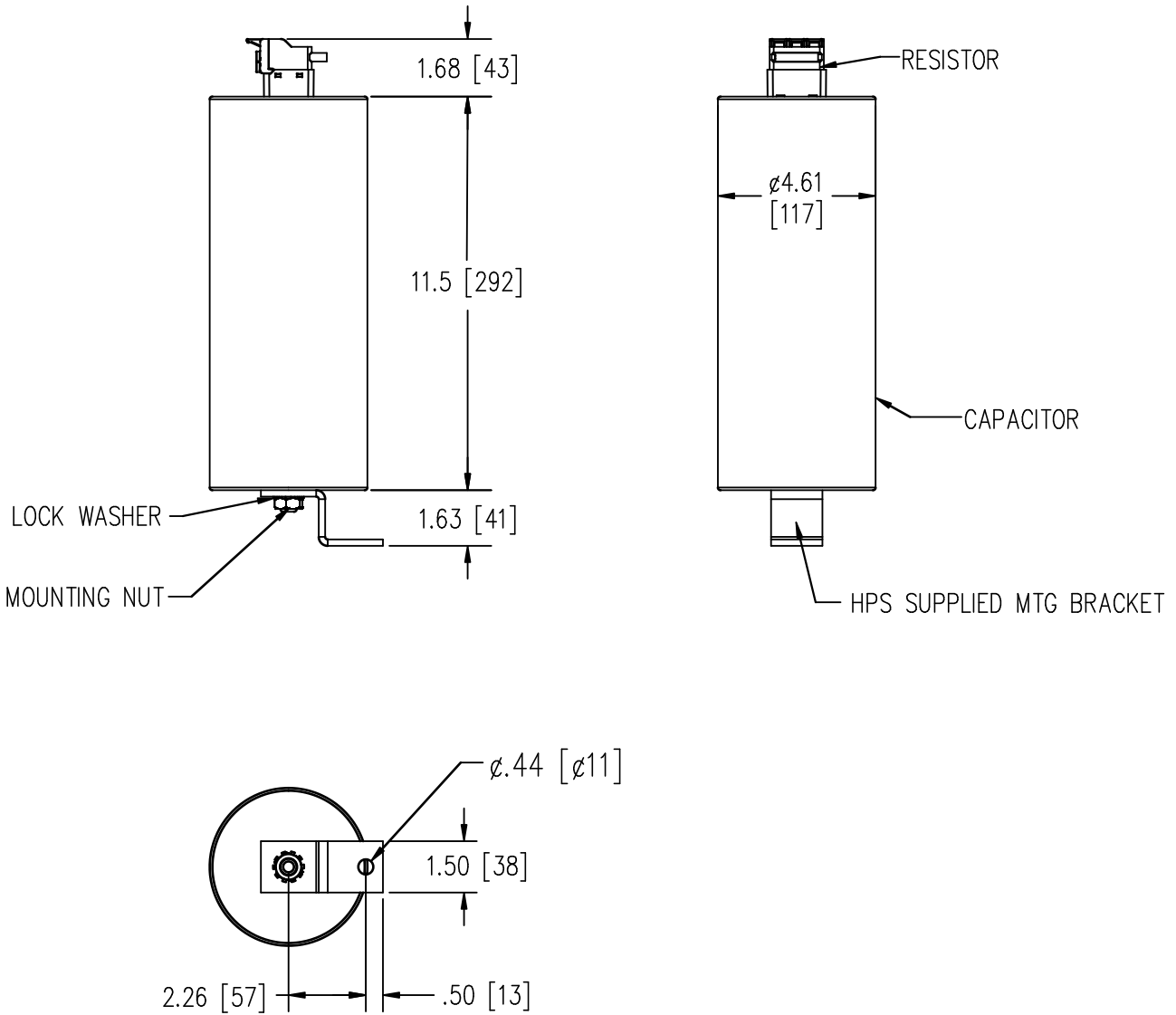


TITLE: LINE REACTOR
CAPACITOR DIMENSIONS
(2 CAPACITOR REQUIRED)

				DES: MVAGHANI
				DATE: 26/03/09
NO.	DATE	BY	REVISION	SCALE: NTS

SHEET 3 OF 5

EDBCSIK0480F



- ENSURE CAPACITOR BLEEDER RESISTOR IS INSTALLED IN CAPACITOR TERMINAL BLOCK.
- BLEEDER RESISTOR MAY BE SUPPLIED LOOSE WITH THE CAPACITOR.
- USE MIN # 8 AWG CONDUCTORS TO CONNECT TO FILTER.
- USE WIRE RATED FOR AT LEAST 90°C AND SIZED BASIS OF 75° AMPACITY.

THIS DRAWING CONTAINS STRICTLY CONFIDENTIAL INFORMATION BELONGING TO HAMMOND POWER SOLUTIONS AND MUST NOT BE DISTRIBUTED OUTSIDE AUTHORIZED PARTIES.

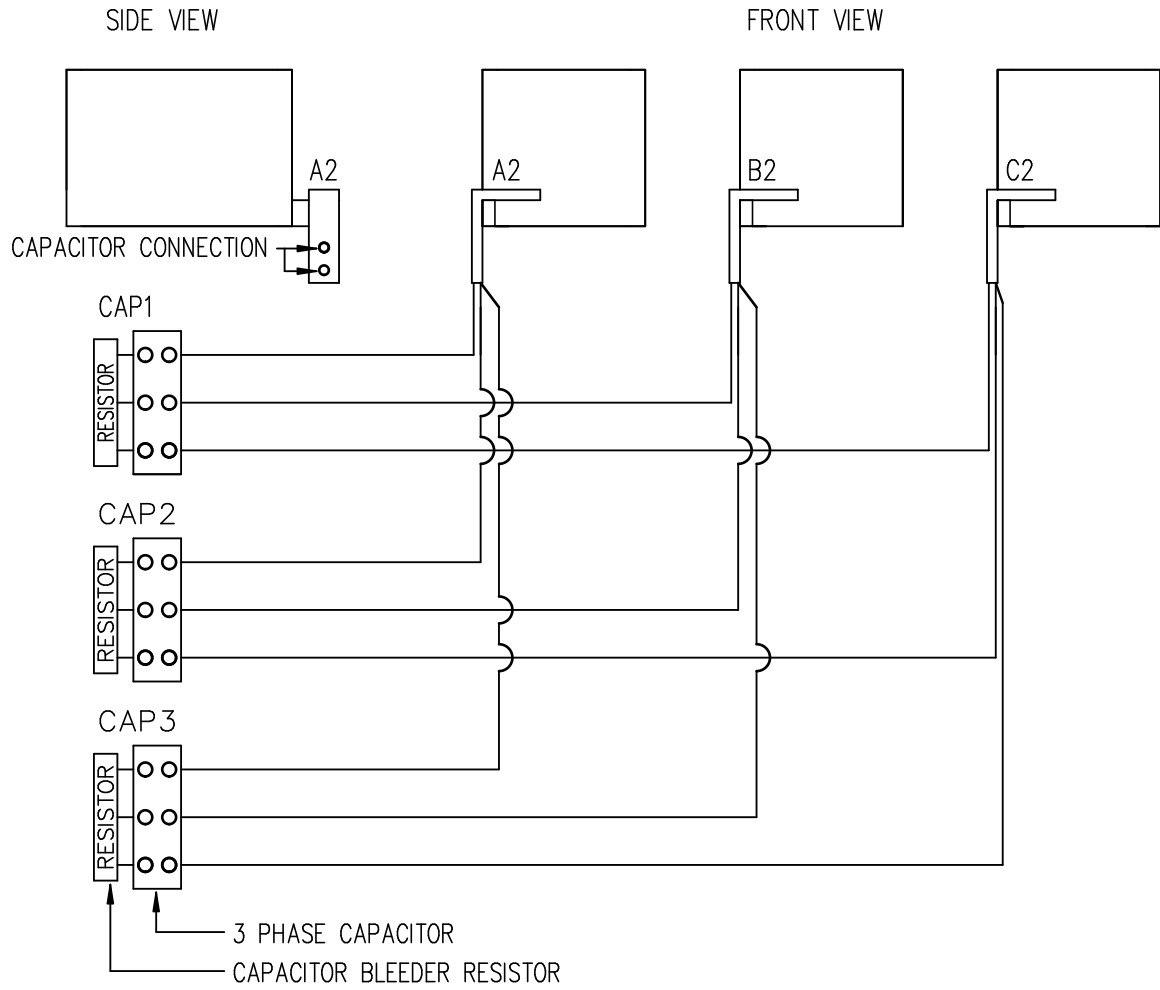


TITLE: LINE REACTOR
CAPACITOR DIMENSIONS
(1 CAPACITOR REQUIRED)

				DES: MVAGHANI
				DATE: 26/03/09
NO.	DATE	BY	REVISION	SCALE: NTS

SHEET 4 OF 5

EDBCSIK0480F



- ENSURE CAPACITOR BLEEDER RESISTOR IS INSTALLED IN CAPACITOR TERMINAL BLOCK.
BLEEDER RESISTOR MAY BE SUPPLIED LOOSE WITH THE CAPACITOR.
- USE 1 WIRE ONLY FROM TERMINALS A2 B2 C2 TO EACH CAPACITOR. DONOT WIRE FROM CAPACITOR TO CAPACITOR.
- SEE CAPACITOR DRAWING FOR CORRECT CONDUCTOR SIZE.

THIS DRAWING CONTAINS STRICTLY CONFIDENTIAL INFORMATION BELONGING TO HAMMOND POWER SOLUTIONS AND MUST NOT BE DISTRIBUTED OUTSIDE AUTHORIZED PARTIES.



TITLE: LINE REACTOR CAPACITOR WIRING				
				DES: MVAGHANI
				DATE: 26/03/09
NO.	DATE	BY	REVISION	SCALE: NTS

SHEET 5 OF 5
EDBCS1K0480F