

**hammond**  
POWER SOLUTIONS



US LISTED

E61431

GUELPH, ONT BARABOO, WI COMPTON, CA MONTERREY, MX

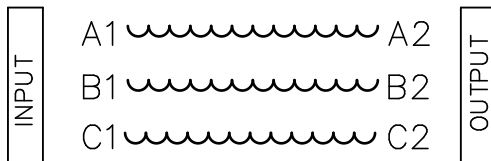
MADE IN CANADA

HPS Centurion S – 3 Phase SineWave Filter

RATING (HP)	350	CUST. REF.	
SYS. VOLTAGE	480	SERIAL NO.	
FREQ. (Hz)	90	PART NO.	CS1K0415F
CURRENT (AMP)	415	TYPE	SJR-4 AN
		WDG MATERIAL	CU
TEMP. RISE °C	130	ENCL. TYPE	
TEMP. CLASS °C	220	WEIGHT lbs/kg	305/139

USE WITH SUITABLY RATED LISTED (ZMVV) LUGS  
WINDING TERMINAL TEMPERATURE: 75° C

F0677EF



**hammond**  
POWER SOLUTIONS

TITLE: LINE REACTOR  
NAMEPLATE INFORMATION

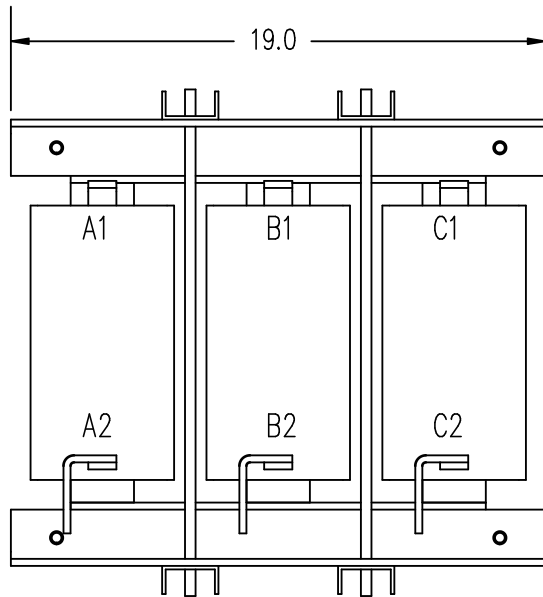
				DES: PBAKER
				DATE: 24/01/24
NO.	DATE	BY	REVISION	SCALE: NTS

SHEET 1 OF 5

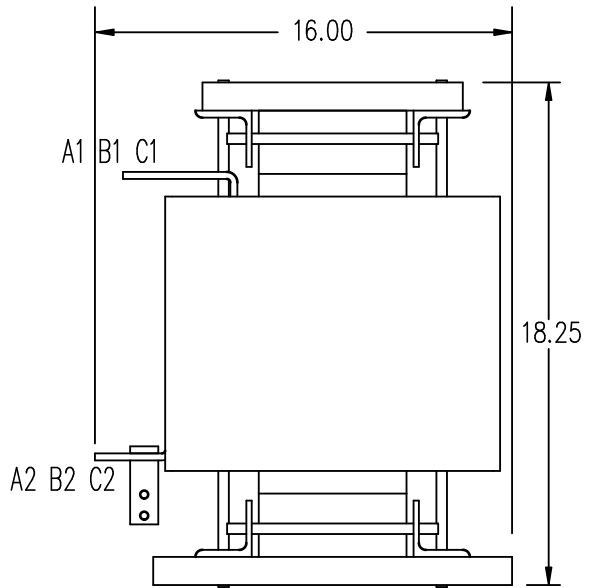
EDBCS1K0415F

THIS DRAWING CONTAINS STRICTLY CONFIDENTIAL INFORMATION BELONGING TO HAMMOND POWER SOLUTIONS AND MUST NOT BE DISTRIBUTED OUTSIDE AUTHORIZED PARTIES.

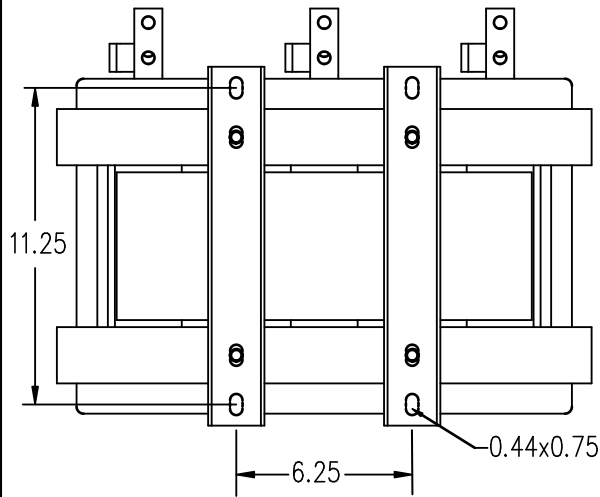
0.5 httpd 2026/06/24 23:47



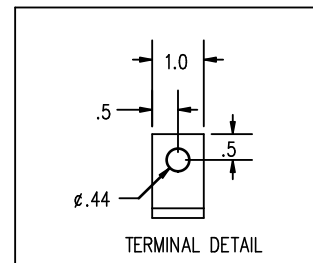
FRONT VIEW



SIDE VIEW



BOTTOM VIEW



TERMINAL DETAIL



TOLERANCES  
MOUNTING CENTERS = +/- .06"  
MOUNTING HOLE SIZE = +/- .005"

THIS DRAWING CONTAINS PROPRIETARY INFORMATION  
BELONGING TO HAMMOND POWER SOLUTIONS INC.,  
AND IS NOT FOR GENERAL DISTRIBUTION

All Dimensions in Inches  
mm in Parenthesis

FILTER

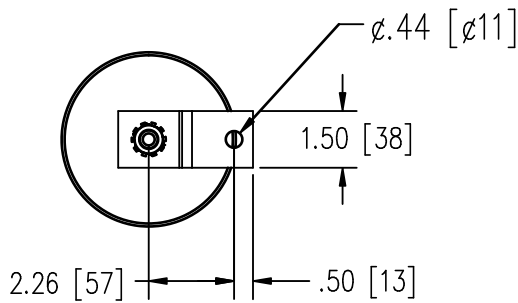
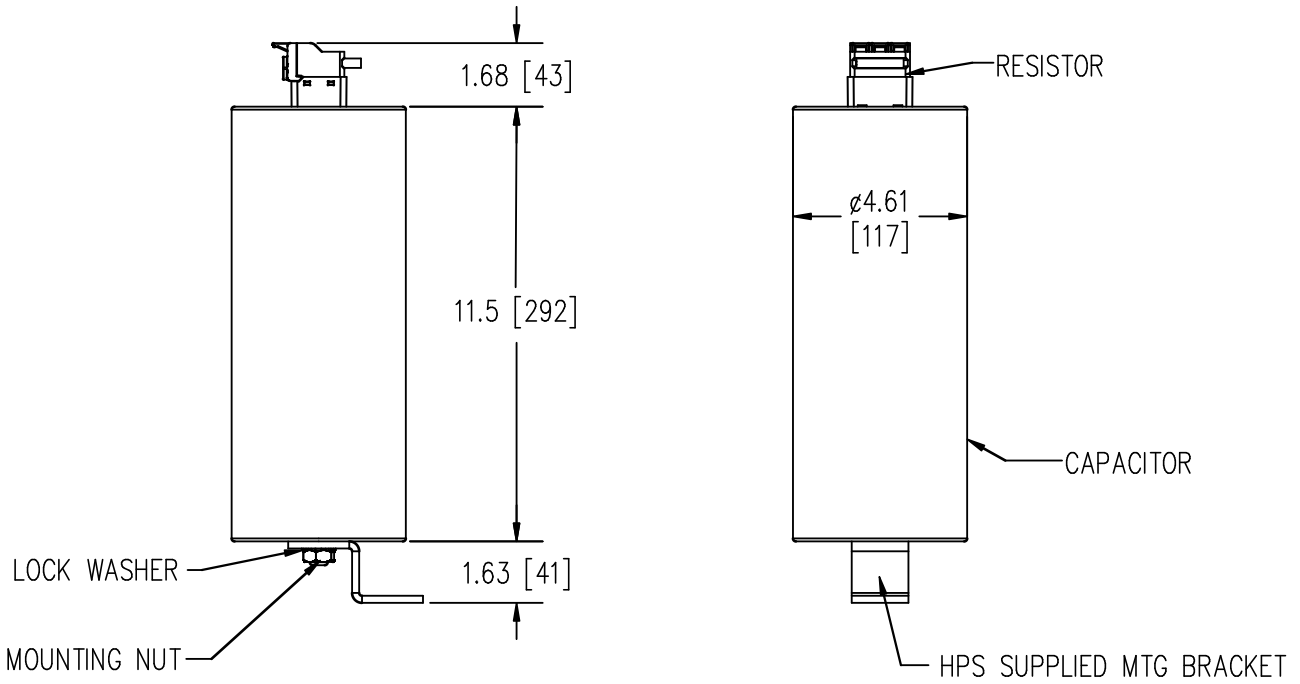


TITLE: LINE REACTOR  
FLOOR MOUNT DIMENSIONS

NO.	DATE	BY	REVISION	DES: PBAKER DATE: 24/01/24 SCALE: NTS

SHEET 2 OF 5

EDBCS1K0415F



- ENSURE CAPACITOR BLEEDER RESISTOR IS INSTALLED IN CAPACITOR TERMINAL BLOCK.
- BLEEDER RESISTOR MAY BE SUPPLIED LOOSE WITH THE CAPACITOR.
- USE MIN # 8 AWG CONDUCTORS TO CONNECT TO FILTER.
- USE WIRE RATED FOR AT LEAST 90°C AND SIZED BASIS OF 75° AMPACITY.

THIS DRAWING CONTAINS STRICTLY CONFIDENTIAL INFORMATION BELONGING TO HAMMOND POWER SOLUTIONS AND MUST NOT BE DISTRIBUTED OUTSIDE AUTHORIZED PARTIES.

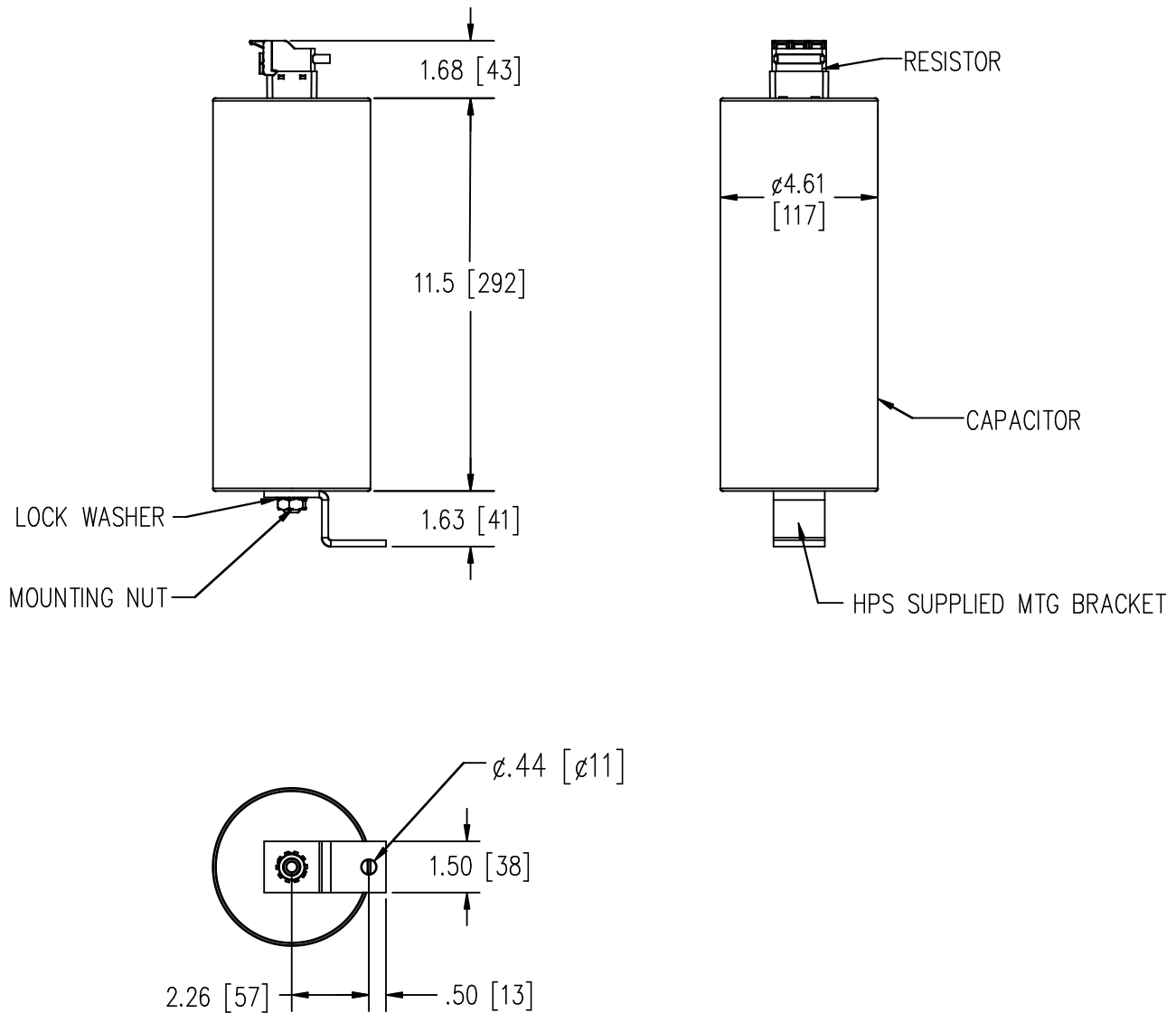


TITLE: LINE REACTOR  
CAPACITOR DIMENSIONS  
(1 CAPACITOR REQUIRED)

				DES: PBAKER
				DATE: 24/01/24
NO.	DATE	BY	REVISION	SCALE: NTS

SHEET 3 OF 5

EDBCS1K0415F



- ENSURE CAPACITOR BLEEDER RESISTOR IS INSTALLED IN CAPACITOR TERMINAL BLOCK.
- BLEEDER RESISTOR MAY BE SUPPLIED LOOSE WITH THE CAPACITOR.
- USE MIN # 8 AWG CONDUCTORS TO CONNECT TO FILTER.
- USE WIRE RATED FOR AT LEAST 90°C AND SIZED BASIS OF 75° AMPACITY.

THIS DRAWING CONTAINS STRICTLY CONFIDENTIAL INFORMATION BELONGING TO HAMMOND POWER SOLUTIONS AND MUST NOT BE DISTRIBUTED OUTSIDE AUTHORIZED PARTIES.

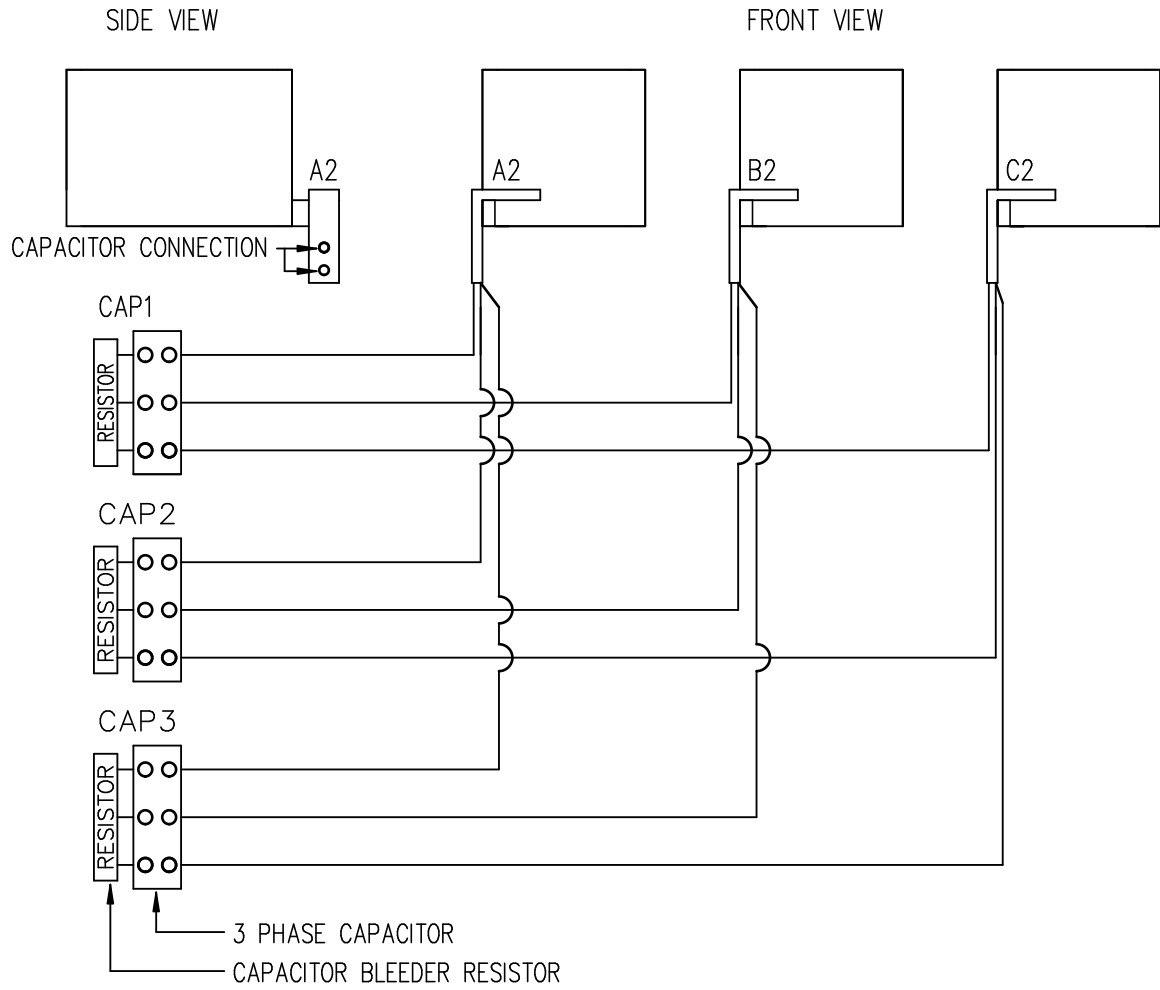


TITLE: LINE REACTOR  
CAPACITOR DIMENSIONS  
(2 CAPACITOR REQUIRED)

				DES: PBAKER
				DATE: 24/01/24
NO.	DATE	BY	REVISION	SCALE: NTS

SHEET 4 OF 5

EDBCS1K0415F



- ENSURE CAPACITOR BLEEDER RESISTOR IS INSTALLED IN CAPACITOR TERMINAL BLOCK.  
BLEEDER RESISTOR MAY BE SUPPLIED LOOSE WITH THE CAPACITOR.
- USE 1 WIRE ONLY FROM TERMINALS A2 B2 C2 TO EACH CAPACITOR. DONOT WIRE FROM CAPACITOR TO CAPACITOR.
- SEE CAPACITOR DRAWING FOR CORRECT CONDUCTOR SIZE.

THIS DRAWING CONTAINS STRICTLY CONFIDENTIAL INFORMATION BELONGING TO HAMMOND POWER SOLUTIONS AND MUST NOT BE DISTRIBUTED OUTSIDE AUTHORIZED PARTIES.



TITLE:				LINE REACTOR CAPACITOR WIRING	
				DES:	PBAKER
				DATE:	24/01/24
				SCALE:	NTS
NO.	DATE	BY	REVISION		

SHEET 5 OF 5  
EDBCS1K0415F

0.5 htpd 2026/06/24 23:47