

hammond
POWER SOLUTIONS



US LISTED

E61431

GUELPH,ONT BARABOO,WI COMPTON,CA MONTERREY,MX

MADE IN CANADA

HPS Centurion S – 3 Phase SineWave Filter

RATING (HP)

CUST. REF.

SYS. VOLTAGE

SERIAL NO.

FREQ. (Hz)

PART NO.

CURRENT(AMP)

TYPE SR-3

WDG MATERIAL

TEMP. RISE °C

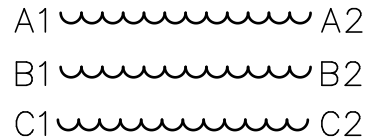
ENCL. TYPE

TEMP. CLASS °C

WEIGHT lbs/kg

F0677EF

INPUT



OUTPUT

hammond
POWER SOLUTIONS

TITLE: SINEWAVE REACTOR
NAMEPLATE INFORMATION

				DES: PBAKER
				DATE: 24/02/06
NO.	DATE	BY	REVISION	SCALE: NTS

SHEET 1 OF 3

EDBCS1K0080C

FRONT VIEW



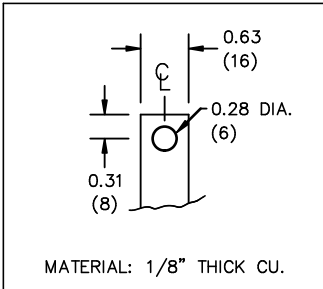
SIDE VIEW



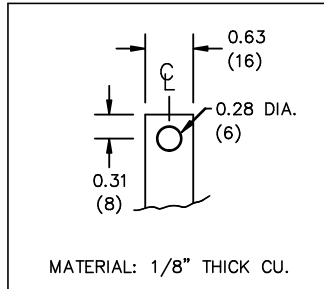
All Dimensions in inches

ENCLOSURE COLOR : ANSI 61 GREY – OUTDOOR

INPUT TERMINAL DETAIL



OUTPUT TERMINAL DETAIL



CUSTOMER NOTES:

- INPUT TERMINATED AT TOP FRONT
- OUTPUT TERMINATED AT BOTTOM FRONT



TITLE: SINEWAVE REACTOR ENCLOSURE DETAIL

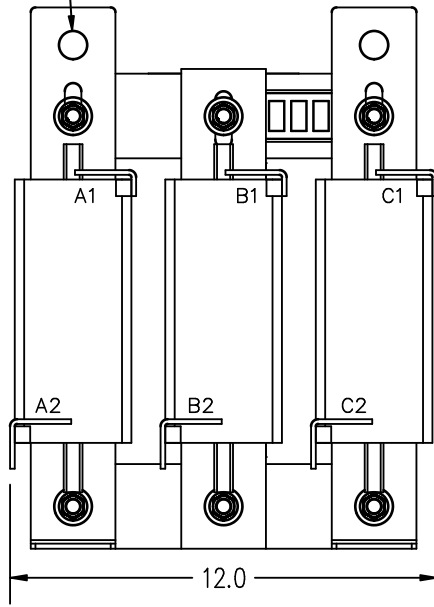
DES:	PBAKER
DATE:	24/02/06
SCALE:	NTS

NO.	DATE	BY	REVISION

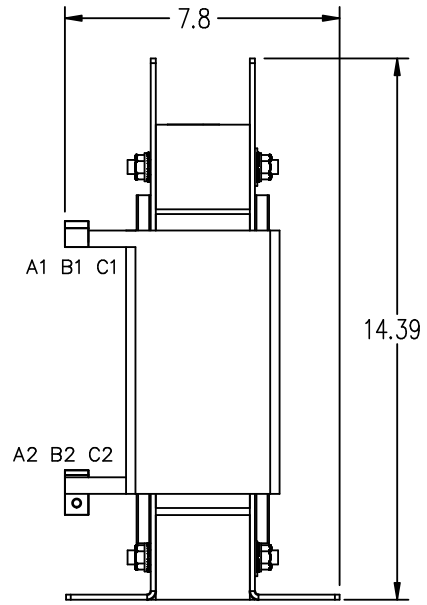
SHEET 2 OF 3

EDBCS1K0080C

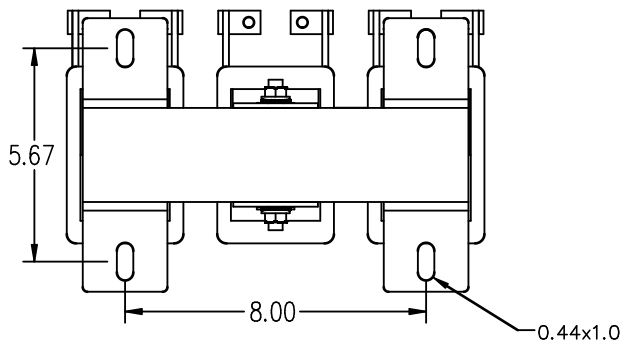
∅ .8 LIFTING PROVISION



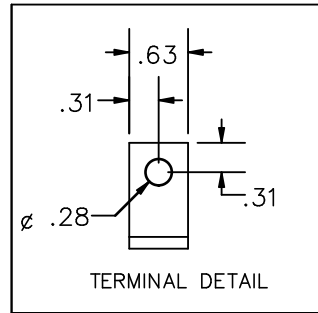
FRONT VIEW



SIDE VIEW



BOTTOM VIEW



TERMINAL DETAIL



TOLERANCES
MOUNTING CENTERS = +/- .06"
MOUNTING HOLE SIZE = +/- .005"

THIS DRAWING CONTAINS PROPRIETARY INFORMATION
BELONGING TO HAMMOND POWER SOLUTIONS INC.,
AND IS NOT FOR GENERAL DISTRIBUTION

All Dimensions in Inches
mm in Parenthesis

FILTER



TITLE: SINEWAVE REACTOR
FLOOR MOUNT DIMENSIONS

NO.	DATE	BY	REVISION

DES: PBAKER
DATE: 24/02/06
SCALE: NTS

SHEET 3 OF 3

EDBCS1K0080C

0.1 htpd 2026/04/04 22:08

THIS DRAWING CONTAINS STRICTLY CONFIDENTIAL INFORMATION BELONGING TO HAMMOND POWER SOLUTIONS AND MUST NOT BE DISTRIBUTED OUTSIDE AUTHORIZED PARTIES.