

**hammond**  
POWER SOLUTIONS



US LISTED

E61431

GUELPH,ONT BARABOO,WI COMPTON,CA MONTERREY,MX

MADE IN CANADA

HPS Centurion S – 3 Phase SineWave Filter

RATING (HP)

CUST. REF.

SYS. VOLTAGE

SERIAL NO.

FREQ. (Hz)

PART NO.

CURRENT(AMP)

TYPE SJR-3

WDG MATERIAL

TEMP. RISE °C

ENCL. TYPE

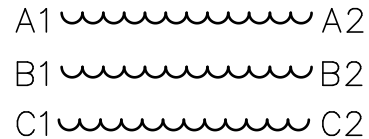
TEMP. CLASS °C

WEIGHT lbs/kg

USE WITH SUITABLY RATED LISTED (ZMVV) LUGS  
WINDING TERMINAL TEMPERATURE: 75° C

F0677EF

INPUT



OUTPUT

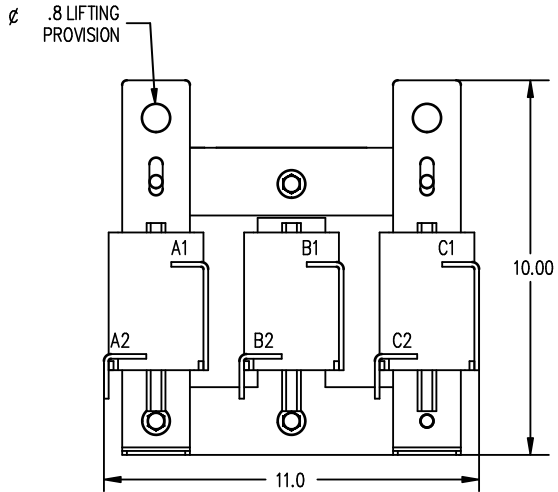
**hammond**  
POWER SOLUTIONS

TITLE: IRON CORE LINE REACTOR  
NAMEPLATE INFORMATION

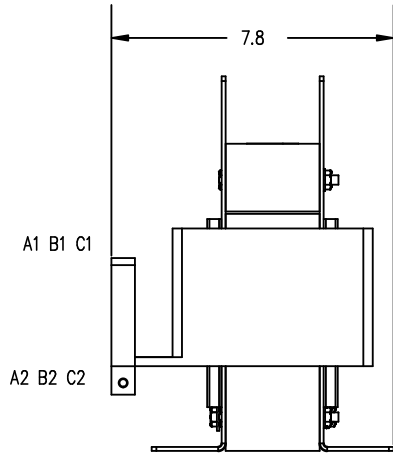
				DES: PBAKER
				DATE: 23/11/23
NO.	DATE	BY	REVISION	SCALE: NTS

SHEET 1 OF 3

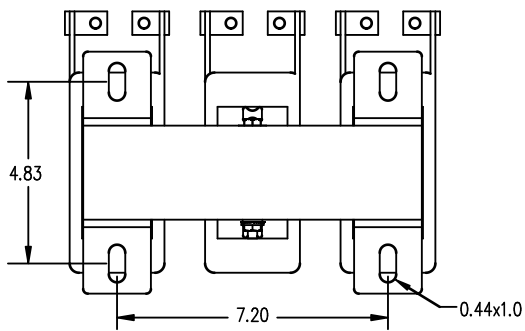
EDBCS1K0055F



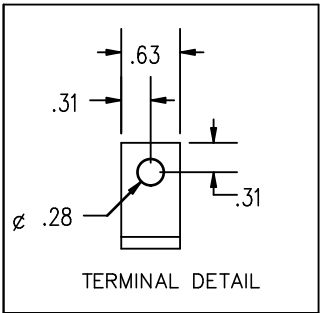
FRONT VIEW



SIDE VIEW



BOTTOM VIEW



TERMINAL DETAIL



TOLERANCES  
MOUNTING CENTERS = +/- .06"  
MOUNTING HOLE SIZE = +/- .005"

THIS DRAWING CONTAINS PROPRIETARY INFORMATION  
BELONGING TO HAMMOND POWER SOLUTIONS INC.,  
AND IS NOT FOR GENERAL DISTRIBUTION

All Dimensions in Inches  
mm in Parenthesis

FILTER



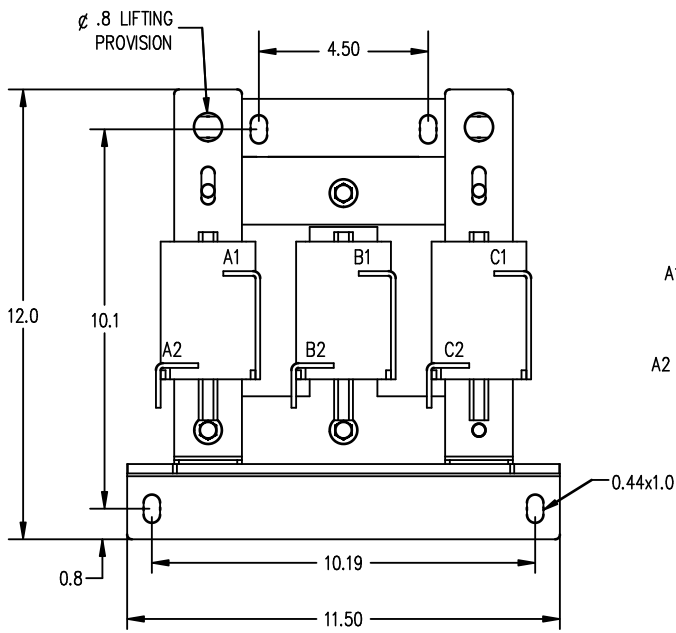
TITLE: IRON CORE LINE REACTOR  
FLOOR MOUNT DIMENSIONS

DES:	PBAKER
DATE:	23/11/23
SCALE:	NTS

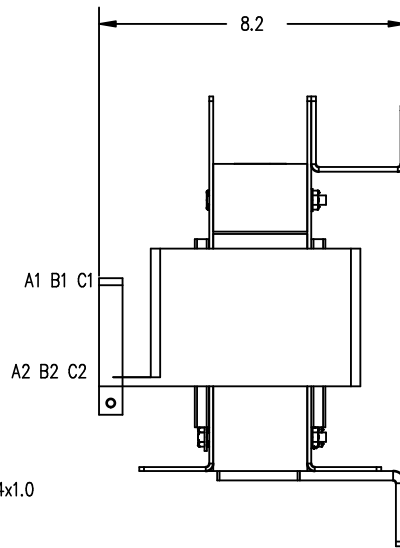
NO.	DATE	BY	REVISION

SHEET 2 OF 3

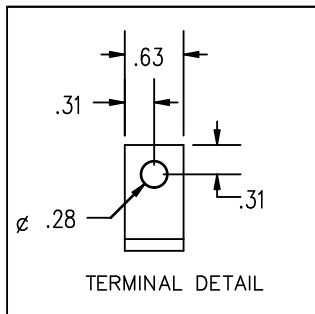
EDBCS1K0055F



FRONT VIEW



SIDE VIEW



TERMINAL DETAIL



TOLERANCES  
MOUNTING CENTERS = +/- .06"  
MOUNTING HOLE SIZE = +/- .005"

THIS DRAWING CONTAINS PROPRIETARY INFORMATION  
BELONGING TO HAMMOND POWER SOLUTIONS INC.,  
AND IS NOT FOR GENERAL DISTRIBUTION

All Dimensions in Inches  
mm in Parenthesis

FILTER



TITLE: IRON CORE LINE REACTOR  
WALL MOUNT DIMENSIONS

NO.	DATE	BY	REVISION	DES: PBAKER DATE: 23/11/23 SCALE: NTS

SHEET 3 OF 3

EDBCS1K0055F