

hammond
POWER SOLUTIONS



US LISTED

E61431

GUELPH,ONT BARABOO,WI COMPTON,CA MONTERREY,MX

MADE IN CANADA

HPS Centurion S – 3 Phase SineWave Filter

RATING (HP)

CUST. REF.

SYS. VOLTAGE

SERIAL NO.

FREQ. (Hz)

PART NO.

CURRENT(AMP)

TYPE SJR-3

WDG MATERIAL

TEMP. RISE °C

ENCL. TYPE

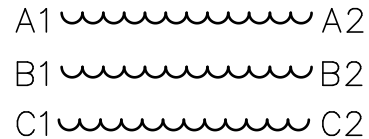
TEMP. CLASS °C

WEIGHT lbs/kg

USE WITH SUITABLY RATED LISTED (ZMVV) LUGS
WINDING TERMINAL TEMPERATURE: 75° C

F0677EF

INPUT



OUTPUT

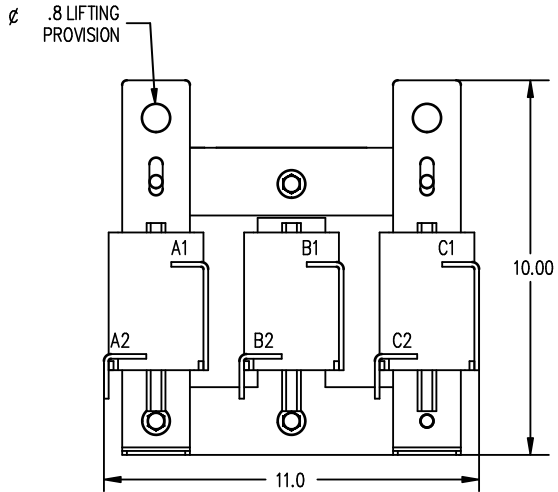
hammond
POWER SOLUTIONS

TITLE: LINE REACTOR
NAMEPLATE INFORMATION

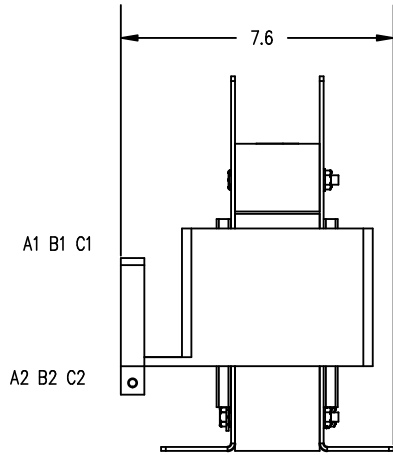
				DES: PBAKER
				DATE: 25/02/24
NO.	DATE	BY	REVISION	SCALE: NTS

SHEET 1 OF 3

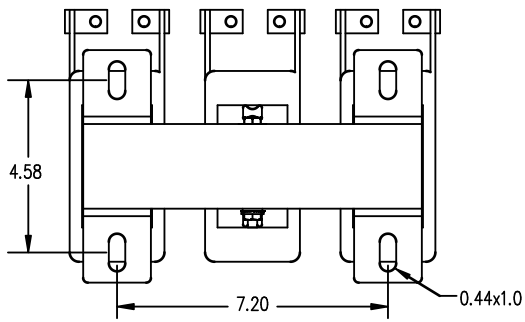
EDBCS1K0045F



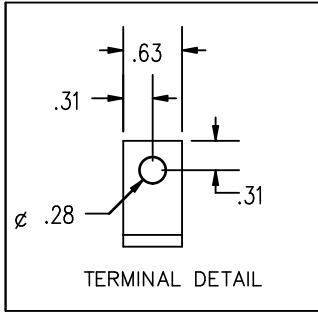
FRONT VIEW



SIDE VIEW



BOTTOM VIEW



TERMINAL DETAIL



TOLERANCES
MOUNTING CENTERS = +/- .06"
MOUNTING HOLE SIZE = +/- .005"

THIS DRAWING CONTAINS PROPRIETARY INFORMATION
BELONGING TO HAMMOND POWER SOLUTIONS INC.,
AND IS NOT FOR GENERAL DISTRIBUTION

All Dimensions in Inches
mm in Parenthesis

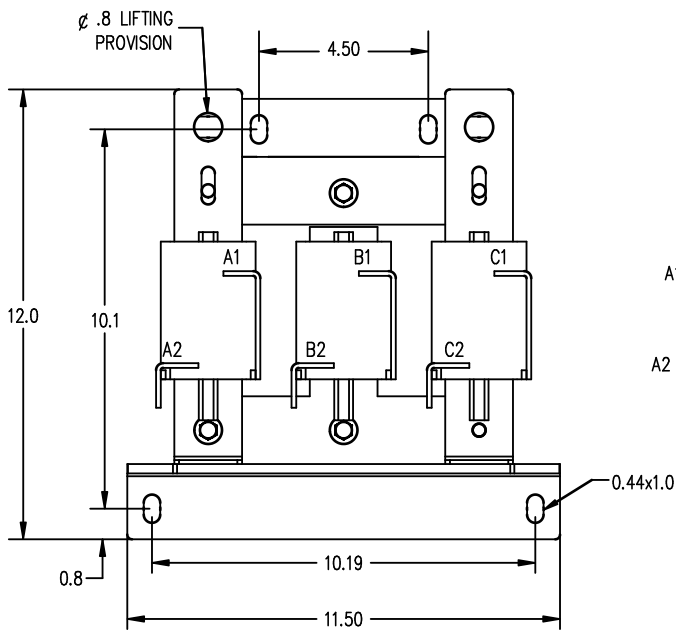
FILTER



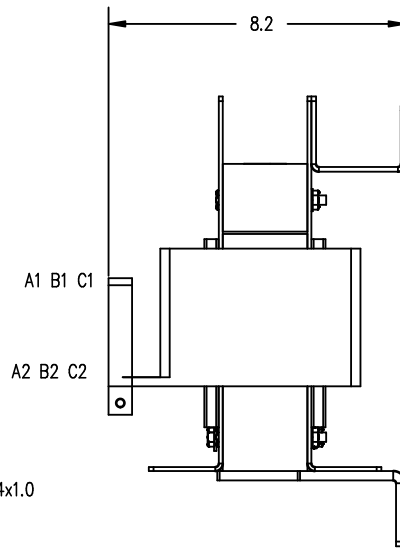
TITLE: LINE REACTOR FLOOR MOUNT DIMENSIONS				DES: PBAKER DATE: 25/02/24 SCALE: NTS
NO.	DATE	BY	REVISION	

SHEET 2 OF 3

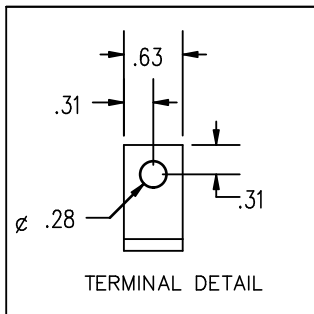
EDBCS1K0045F



FRONT VIEW



SIDE VIEW



TERMINAL DETAIL



TOLERANCES
MOUNTING CENTERS = +/- .06"
MOUNTING HOLE SIZE = +/- .005"

THIS DRAWING CONTAINS PROPRIETARY INFORMATION
BELONGING TO HAMMOND POWER SOLUTIONS INC.,
AND IS NOT FOR GENERAL DISTRIBUTION

All Dimensions in Inches
mm in Parenthesis

FILTER



TITLE: LINE REACTOR
WALL MOUNT DIMENSIONS

DES:	PBAKER
DATE:	25/02/24
SCALE:	NTS

NO.	DATE	BY	REVISION

SHEET 3 OF 3

EDBCS1K0045F