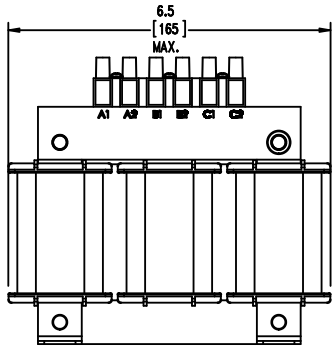
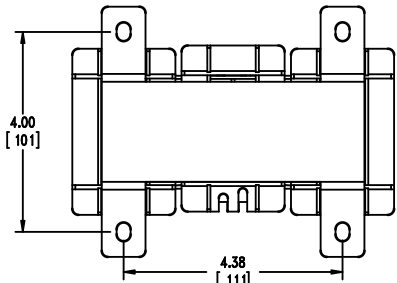




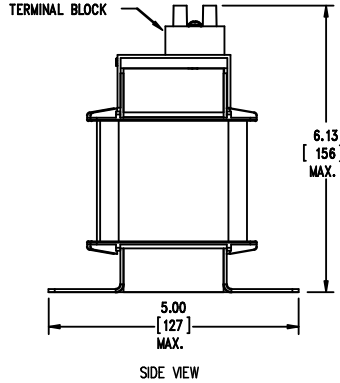
TOP VIEW



FRONT VIEW

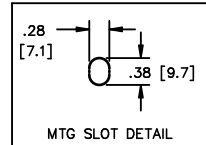


BOTTOM VIEW



SIDE VIEW

TERMINAL BLOCK
SUITABLE FOR
#13 TO #10 AWG
CONDUCTORS
QTY. 1 PER PHASE



MTG SLOT DETAIL



TOLERANCES
MOUNTING CENTERS = +/- .06"
MOUNTING HOLE SIZE = +/- .005"

THIS DRAWING CONTAINS PROPRIETARY INFORMATION
BELONGING TO HAMMOND POWER SOLUTIONS INC.,
AND IS NOT FOR GENERAL DISTRIBUTION

All Dimensions in Inches
mm in Parenthesis

REACTOR

hammond
POWER SOLUTIONS

HPS CENTURION R
3PH DRY TYPE
REACTOR

CRX11D8NC

1.7MH 50/60 HZ 17 AMPS

0.6 KV CLASS TEMP CLASS: 130 TYPE JR-1

TERMINAL TORQUE: 11 LB-IN AMBIENT: 50°C

NOTES:



TITLE: 3 PHASE LINE REACTOR

DES:	PBAKER
DATE:	23/06/22
SCALE:	NTS

NO.	DATE	BY	REVISION

SHEET 1 OF 1

EDBCRX11D8NC

0.0 httpd 2026/06/25 00:10

THIS DRAWING CONTAINS STRICTLY CONFIDENTIAL INFORMATION BELONGING TO HAMMOND POWER SOLUTIONS AND MUST NOT BE DISTRIBUTED OUTSIDE AUTHORIZED PARTIES.