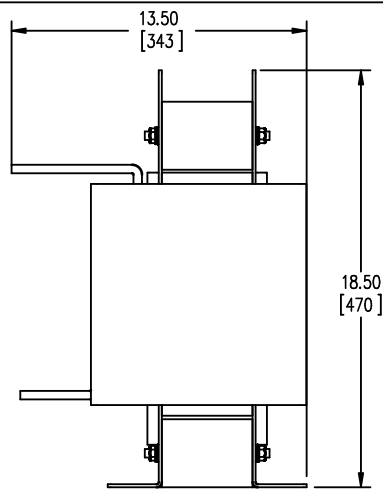
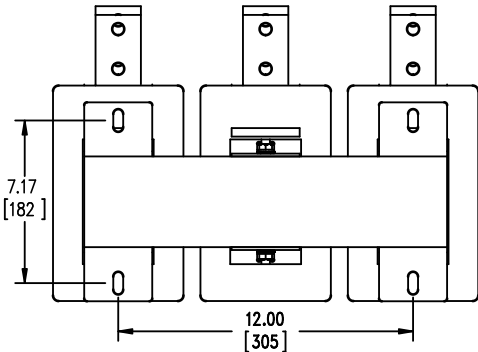


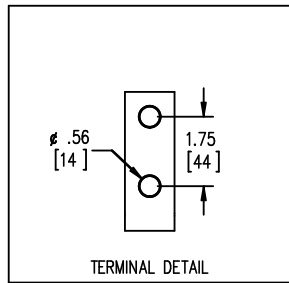
BOTTOM VIEW



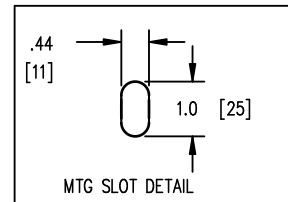
SIDE VIEW



BOTTOM VIEW



TERMINAL DETAIL



MTG SLOT DETAIL



TOLERANCES  
MOUNTING CENTERS = +/- .06"  
MOUNTING HOLE SIZE = +/- .005"

THIS DRAWING CONTAINS PROPRIETARY INFORMATION  
BELONGING TO HAMMOND POWER SOLUTIONS INC.,  
AND IS NOT FOR GENERAL DISTRIBUTION

All Dimensions in Inches  
mm in Parenthesis

REACTOR



HPS CENTURION R  
3PH DRY TYPE  
REACTOR

P/N CRX1000CC

INDUCT. .028 MH 50/60 HZ 1000 AMPS

0.6 KV CLASS WT: 300 lbs IP00

AMBIENT: 50° TEMP CLASS: 220 TYPE JR

USE WITH SUITABLY RATED LISTED (ZMVV) LUGS

WINDING TERMINAL TEMPERATURE: 75° C



LR3902



LISTED

MADE IN CANADA

IND. CONT. EQ. E61431

f003782e

NOTES:



TITLE: IRON CORE LINE REACTOR

DES:	AYU
DATE:	15/03/25
SCALE:	NTS

NO.	DATE	BY	REVISION

SHEET 1 OF 1

EDBCRX1000CC

0.2 httpd 2026/04/02 12:00

THIS DRAWING CONTAINS STRICTLY CONFIDENTIAL INFORMATION BELONGING TO HAMMOND POWER SOLUTIONS AND MUST NOT BE DISTRIBUTED OUTSIDE AUTHORIZED PARTIES.