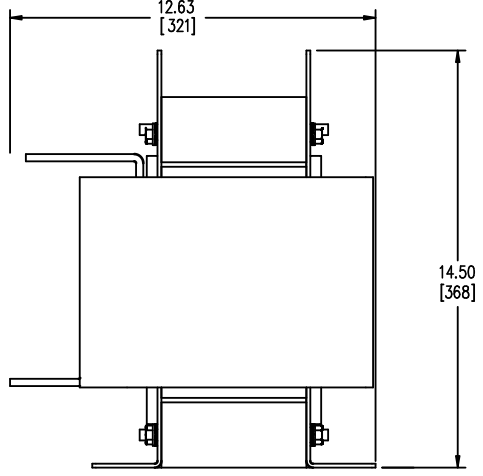
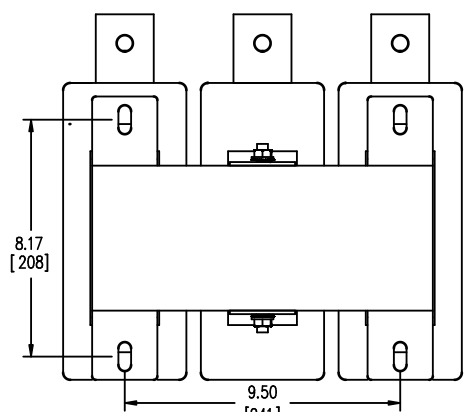


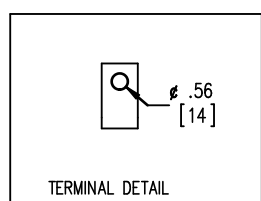
FRONT VIEW



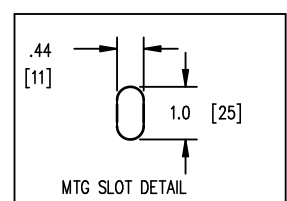
SIDE VIEW



BOTTOM VIEW



TERMINAL DETAIL



MTG SLOT DETAIL

	<p>TOLERANCES MOUNTING CENTERS = +/- .06" MOUNTING HOLE SIZE = +/- .005"</p>	<p>THIS DRAWING CONTAINS PROPRIETARY INFORMATION BELONGING TO HAMMOND POWER SOLUTIONS INC., AND IS NOT FOR GENERAL DISTRIBUTION</p>	<p>All Dimensions in Inches mm in Parenthesis</p>	<p>REACTOR</p>
--	--	---	---	----------------

hammond
POWER SOLUTIONS

HPS CENTURION R
3PH DRY TYPE
REACTOR

P/N CRX0750CC

INDUCT. 0.031MH 50/60 HZ 720 AMPS

0.6 KV CLASS WT: 143 lbs IP00

AMBIENT: 50° TEMP CLASS: 220 TYPE JR

USE WITH SUITABLY RATED LISTED (ZMVV) LUGS

WINDING TERMINAL TEMPERATURE: 75° C



MADE IN CANADA

IND. CONT. EQ. E61431

f003782e

NOTES:

hammond
POWER SOLUTIONS

TITLE: IRON CORE LINE REACTOR				
DES: AYU				
DATE: 15/03/25				
SCALE: NTS				
NO.	DATE	BY	REVISION	

SHEET 1 OF 1
EDBCRX0750CC

THIS DRAWING CONTAINS STRICTLY CONFIDENTIAL INFORMATION BELONGING TO HAMMOND POWER SOLUTIONS AND MUST NOT BE DISTRIBUTED OUTSIDE AUTHORIZED PARTIES.

0.1 htpd 2026/06/24 21:26