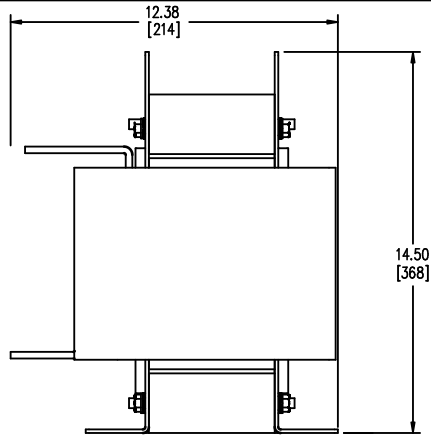
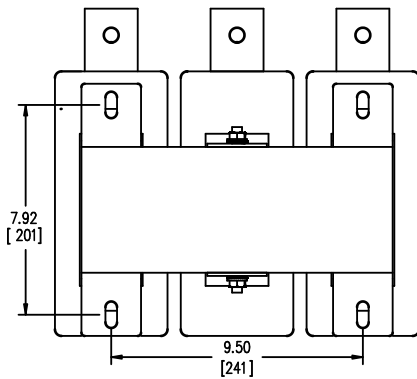


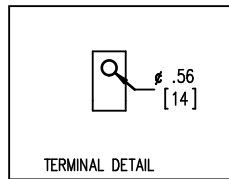
FRONT VIEW



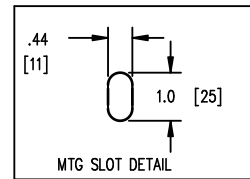
SIDE VIEW



BOTTOM VIEW



TERMINAL DETAIL



MTG SLOT DETAIL



TOLERANCES  
MOUNTING CENTERS = +/- .06"  
MOUNTING HOLE SIZE = +/- .005"

THIS DRAWING CONTAINS PROPRIETARY INFORMATION  
BELONGING TO HAMMOND POWER SOLUTIONS INC.,  
AND IS NOT FOR GENERAL DISTRIBUTION

All Dimensions in Inches  
mm in Parenthesis

REACTOR

**hammond**  
POWER SOLUTIONS

HPS CENTURION R  
3PH DRY TYPE  
REACTOR

P/N CRX0700CE

INDUCT. .039 MH 50/60 HZ 700 AMPS

0.6 KV CLASS WT: 171 lbs IP00

AMBIENT: 50° TEMP CLASS: 220 TYPE JR

USE WITH SUITABLY RATED LISTED (ZMVV) LUGS

WINDING TERMINAL TEMPERATURE: 75° C



MADE IN CANADA

IND. CONT. EQ. E61431

f003782e

NOTES:

**hammond**  
POWER SOLUTIONS

TITLE: IRON CORE LINE REACTOR

DES:	PBAKER
DATE:	21/11/02
SCALE:	NTS

NO.	DATE	BY	REVISION

SHEET 1 OF 1

EDBCRX0700CE