



TITLE: IRON CORE LINE REACTOR
NAMEPLATE INFORMATION

| NO. | DATE | BY | REVISION |
|-----|------|----|----------|
| | | | |

DES: PBAKER
DATE: 14/08/01
SCALE: NTS

SHEET 1 OF 2

EDBCRX0528CE

hammond
POWER SOLUTIONS

HPS CENTURION R
3PH DRY TYPE
REACTOR

P/N CRX0528CE

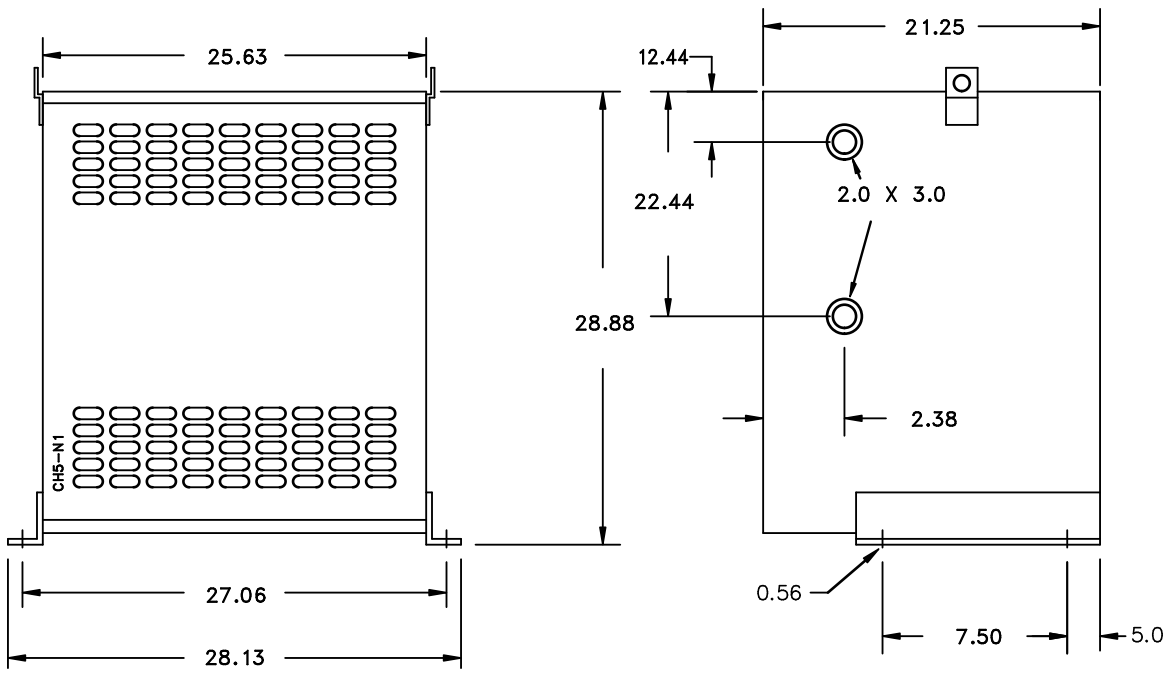
INDUCT. 0.03 MH 50/60 HZ 528 AMPS

0.6 KV CLASS WT: 158 lbs ENCL. TYPE 1/IP00

AMBIENT: 50° TEMP CLASS: 220 TYPE JR-2A

USE WITH SUITABLY RATED LISTED (ZMWV) LUGS
WINDING TERMINAL TEMPERATURE: 75° C

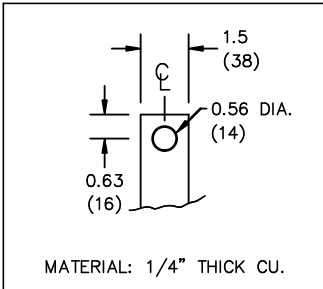
MADE IN CANADA
f003783e



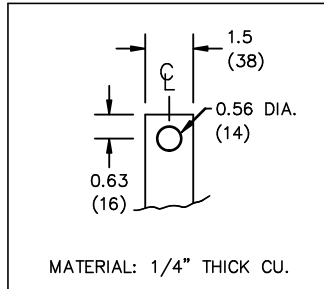
All Dimensions in inches

ENCLOSURE COLOR :ANSI 61 GREY – INDOOR

IN TERMINAL DETAIL



OUT TERMINAL DETAIL



CUSTOMER NOTES:

- IN TERMINATED AT BOTTOM FRONT
- OUT TERMINATED AT TOP FRONT



TITLE: IRON CORE LINE REACTOR

| | |
|--------|----------|
| DES: | PBAKER |
| DATE: | 14/08/01 |
| SCALE: | NTS |

| NO. | DATE | BY | REVISION |
|-----|------|----|----------|
| | | | |

SHEET 2 OF 2

EDBCRX0528CE