



TITLE: IRON CORE LINE REACTOR
NAMEPLATE INFORMATION

NO.	DATE	BY	REVISION	DES: PBAKER
				DATE: 14/08/01
				SCALE: NTS

SHEET 1 OF 2

EDBCRX0528AE

hammond
POWER SOLUTIONS

HPS CENTURION R
3PH DRY TYPE
REACTOR

P/N CRX0528AE

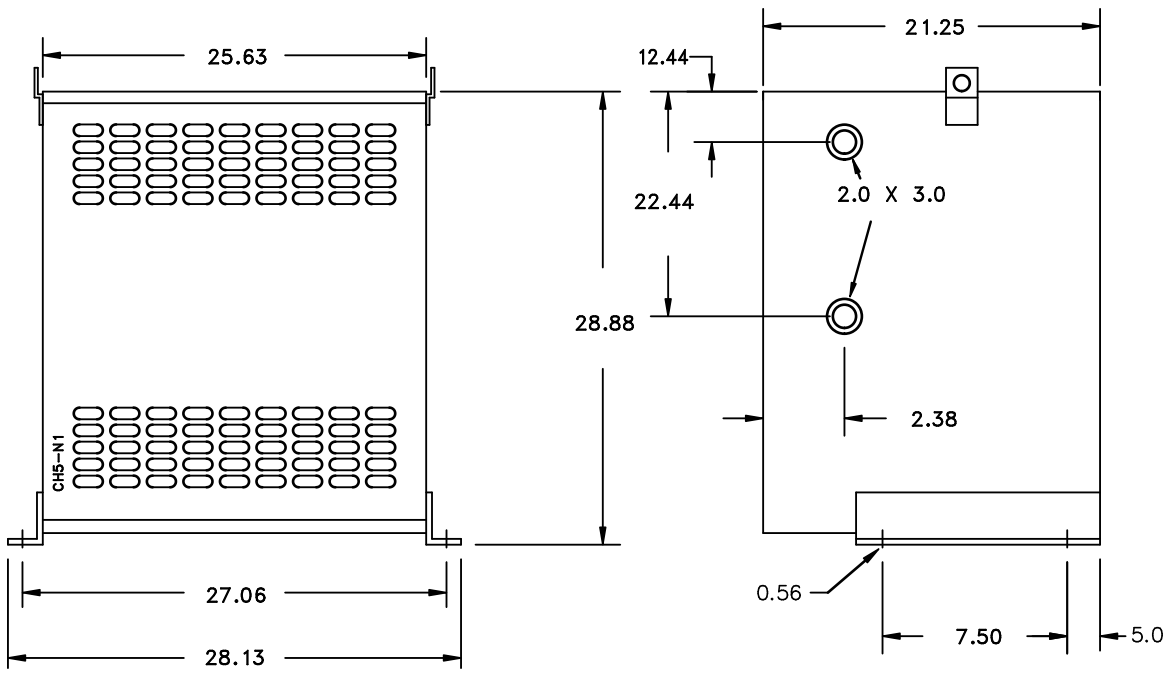
INDUCT. 0.018 MH 50/60 HZ 528 AMPS

0.6 KV CLASS WT: 130 lbs ENCL. TYPE 1/IP00

AMBIENT: 50° TEMP CLASS: 220 TYPE JR-2A

USE WITH SUITABLY RATED LISTED (ZMWV) LUGS
WINDING TERMINAL TEMPERATURE: 75° C

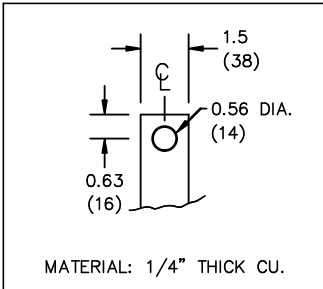
MADE IN CANADA
f003783e



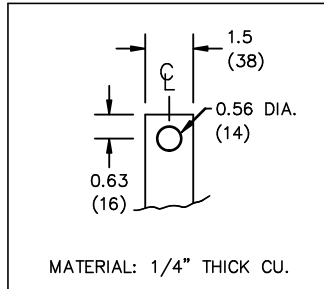
All Dimensions in inches

ENCLOSURE COLOR :ANSI 61 GREY – INDOOR

IN TERMINAL DETAIL



OUT TERMINAL DETAIL



CUSTOMER NOTES:

- IN TERMINATED AT BOTTOM FRONT
- OUT TERMINATED AT TOP FRONT



TITLE: IRON CORE LINE REACTOR

DES:	PBAKER
DATE:	14/08/01
SCALE:	NTS

NO.	DATE	BY	REVISION

SHEET 2 OF 2

EDBCRX0528AE

0.0 httpd 2026/04/07 00:10

THIS DRAWING CONTAINS STRICTLY CONFIDENTIAL INFORMATION BELONGING TO HAMMOND POWER SOLUTIONS AND MUST NOT BE DISTRIBUTED OUTSIDE AUTHORIZED PARTIES.