



TITLE: IRON CORE LINE REACTOR  
NAMEPLATE INFORMATION

NO.	DATE	BY	REVISION

DES: PBAKER  
DATE: 14/08/01  
SCALE: NTS

SHEET 1 OF 2

EDBCRX0472BE

**hammond**  
POWER SOLUTIONS

HPS CENTURION R  
3PH DRY TYPE  
REACTOR

P/N CRX0472BE

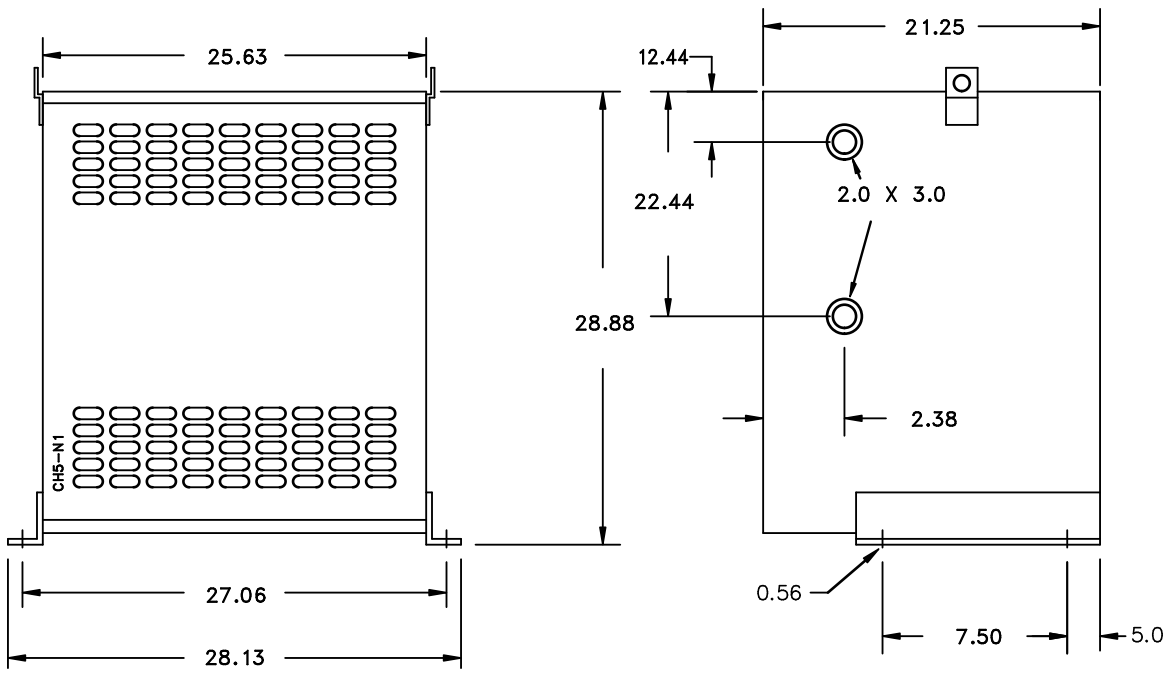
INDUCT. 0.097 MH 50/60 HZ 472 AMPS

0.6 KV CLASS WT: 227 lbs ENCL. TYPE 1/IP20

AMBIENT: 50° TEMP CLASS: 220 TYPE JR-2A

USE WITH SUITABLY RATED LISTED (ZMWV) LUGS  
WINDING TERMINAL TEMPERATURE: 75° C

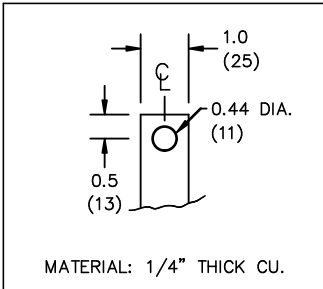
MADE IN CANADA  
f003783e



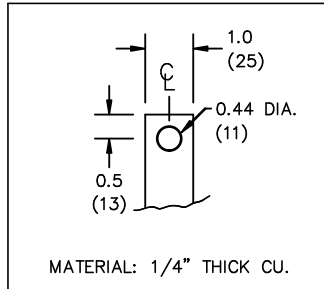
All Dimensions in inches

ENCLOSURE COLOR :ANSI 61 GREY – INDOOR

IN TERMINAL DETAIL



OUT TERMINAL DETAIL



CUSTOMER NOTES:

- IN TERMINATED AT BOTTOM FRONT
- OUT TERMINATED AT TOP FRONT



TITLE: IRON CORE LINE REACTOR

DES:	PBAKER
DATE:	14/08/01
SCALE:	NTS

NO.	DATE	BY	REVISION

SHEET 2 OF 2

EDBCRX0472BE