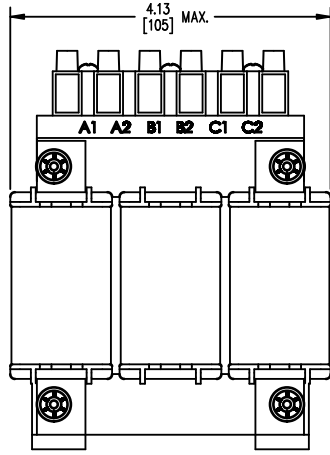
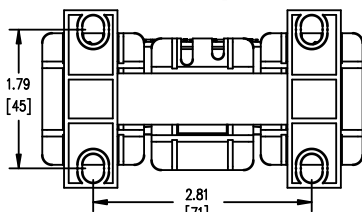




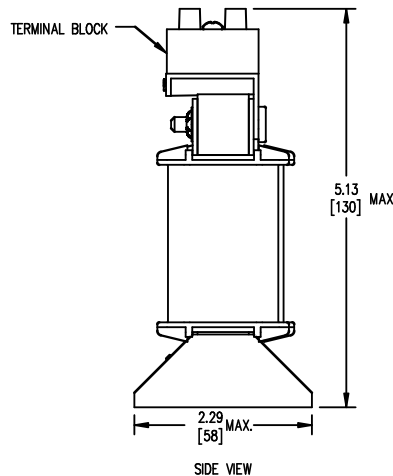
TOP VIEW



FRONT VIEW

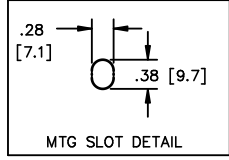


BOTTOM VIEW



SIDE VIEW

TERMINAL BLOCK  
SUITABLE FOR  
#14 TO #18 AWG  
CONDUCTORS  
QTY. 1 PER PHASE



TOLERANCES  
MOUNTING CENTERS = +/- .06"  
MOUNTING HOLE SIZE = +/- .005"

THIS DRAWING CONTAINS PROPRIETARY INFORMATION  
BELONGING TO HAMMOND POWER SOLUTIONS INC.,  
AND IS NOT FOR GENERAL DISTRIBUTION

All Dimensions in Inches  
mm in Parenthesis

REACTOR

# hammond POWER SOLUTIONS

## HPS CENTURION R 3PH DRY TYPE REACTOR

### CRX03D4AC

7.1MH 50/60 HZ 3.4 AMPS  
0.6 KV CLASS TEMP CLASS: 130 TYPE JR-1  
TERMINAL TORQUE: 5 LB-IN AMBIENT: 50°C

NOTES:



TITLE: 3 PHASE LINE REACTOR				DES: PBAKER DATE: 14/06/24 SCALE: NTS
NO.	DATE	BY	REVISION	

SHEET 1 OF 1  
EDBCRX03D4AC

THIS DRAWING CONTAINS STRICKLY CONFIDENTIAL INFORMATION BELONGING TO HAMMOND POWER SOLUTIONS AND MUST NOT BE DISTRIBUTED OUTSIDE AUTHORIZED PARTIES.