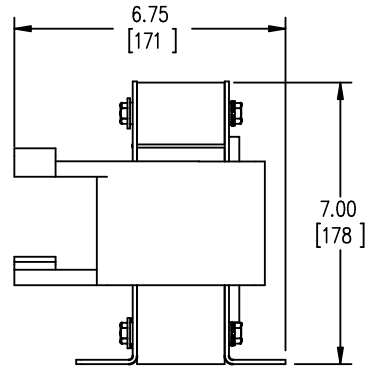
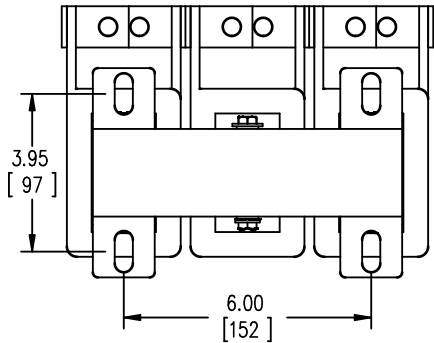


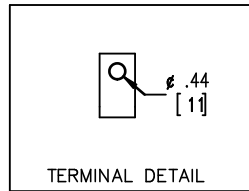
FRONT VIEW



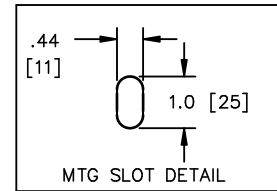
SIDE VIEW



BOTTOM VIEW



TERMINAL DETAIL



MTG SLOT DETAIL



TOLERANCES  
MOUNTING CENTERS = +/- .06"  
MOUNTING HOLE SIZE = +/- .005"

THIS DRAWING CONTAINS PROPRIETARY INFORMATION  
BELONGING TO HAMMOND POWER SOLUTIONS INC.,  
AND IS NOT FOR GENERAL DISTRIBUTION

All Dimensions in Inches  
mm in Parenthesis

REACTOR

**hammond**  
POWER SOLUTIONS

HPS CENTURION R  
3PH DRY TYPE  
REACTOR

MADE IN CANADA

P/N CRX0143DC

INDUCT. 0.114 mH Hz 50/60 AMPS 143 IP00

0.6 kV CLASS TEMP CLASS 220°C TYPE JR-2

WEIGHT 28 (LBS/KG) AMBIENT: 50°C

USE WITH SUITABLY RATED LISTED (ZMVV) LUGS

WINDING TERMINAL TEMPERATURE: 75° C



LR3902



f0037760e

NOTES:

**hammond**  
POWER SOLUTIONS

TITLE: IRON CORE LINE REACTOR

DES:	PBAKER
DATE:	14/07/03
SCALE:	NTS

NO.	DATE	BY	REVISION

SHEET 1 OF 1

EDBCRX0143DC