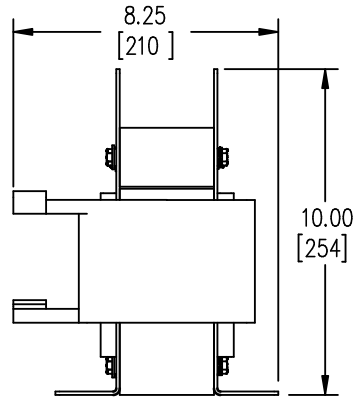
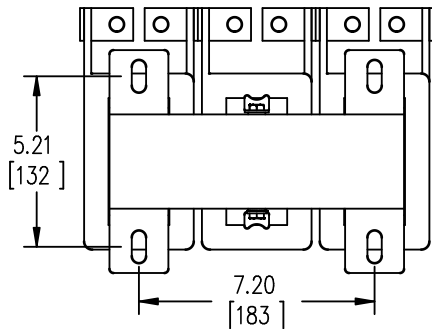


FRONT VIEW



SIDE VIEW



BOTTOM VIEW



TERMINAL DETAIL



MTG SLOT DETAIL



TOLERANCES
MOUNTING CENTERS = +/- .06"
MOUNTING HOLE SIZE = +/- .005"

THIS DRAWING CONTAINS PROPRIETARY INFORMATION
BELONGING TO HAMMOND POWER SOLUTIONS INC.,
AND IS NOT FOR GENERAL DISTRIBUTION

All Dimensions in Inches
mm in Parenthesis

REACTOR

hammond
POWER SOLUTIONS

HPS CENTURION R
3PH DRY TYPE
REACTOR

P/N CRX0124AC

INDUCT. 0.19 MH 50/60 HZ 124 AMPS

0.6 KV CLASS WT: 52 lbs IP00

AMBIENT: 50° TEMP CLASS: 220 TYPE JR-2

USE WITH SUITABLY RATED LISTED (ZMVV) LUGS

WINDING TERMINAL TEMPERATURE: 75° C



MADE IN CANADA
IND. CONT. EQ. E61431

f003782e

NOTES:

hammond
POWER SOLUTIONS

TITLE: LINE REACTOR

DES: PBAKER
DATE: 14/07/04
SCALE: NTS

NO.	DATE	BY	REVISION

SHEET 1 OF 1

EDBCRX0124AC

0.1 httpd 2026/05/16 18:03

THIS DRAWING CONTAINS STRICTLY CONFIDENTIAL INFORMATION BELONGING TO HAMMOND POWER SOLUTIONS AND MUST NOT BE DISTRIBUTED OUTSIDE AUTHORIZED PARTIES.