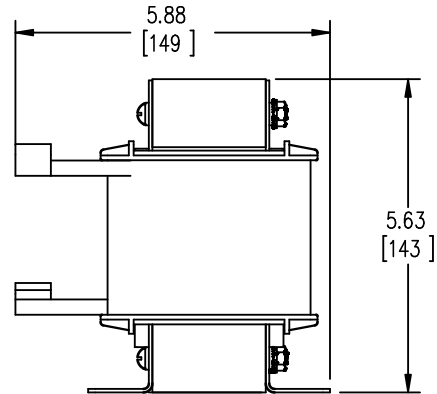
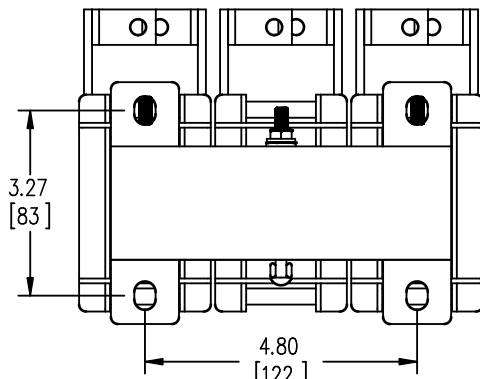


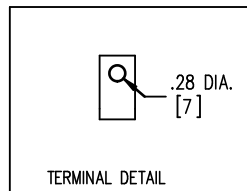
FRONT VIEW



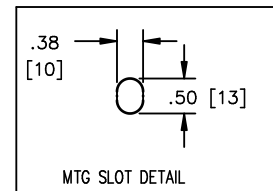
SIDE VIEW



BOTTOM VIEW



TERMINAL DETAIL



MTG SLOT DETAIL



TOLERANCES  
MOUNTING CENTERS = +/- .06"  
MOUNTING HOLE SIZE = +/- .005"

THIS DRAWING CONTAINS PROPRIETARY INFORMATION  
BELONGING TO HAMMOND POWER SOLUTIONS INC.,  
AND IS NOT FOR GENERAL DISTRIBUTION

All Dimensions in Inches  
mm in Parenthesis

REACTOR



HPS CENTURION R  
3PH DRY TYPE  
REACTOR

MADE IN CANADA

P/N CRX0088AC

INDUCT. .12 mH Hz 50/60 AMPS 88 IP00

0.6 kV CLASS TEMP CLASS 180°C TYPE JR-2

WEIGHT 17 (LBS/KG) AMBIENT: 50°C

USE WITH SUITABLY RATED LISTED (ZMVV) LUGS

WINDING TERMINAL TEMPERATURE: 75° C



LR3902



f0037760e

NOTES:



TITLE: 3 PHASE LINE REACTOR

DES:	PBAKER
DATE:	14/06/25
SCALE:	NTS

NO.	DATE	BY	REVISION

SHEET 1 OF 1

EDBCRX0088AC