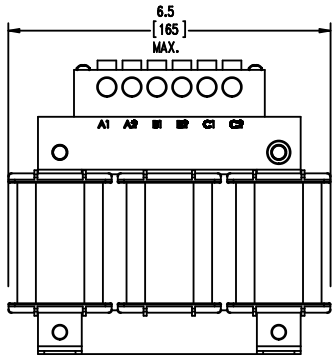
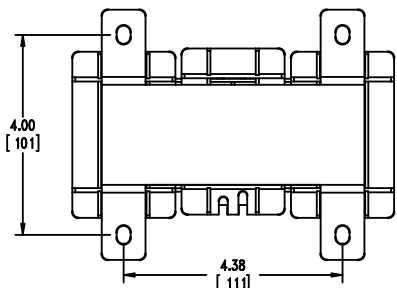


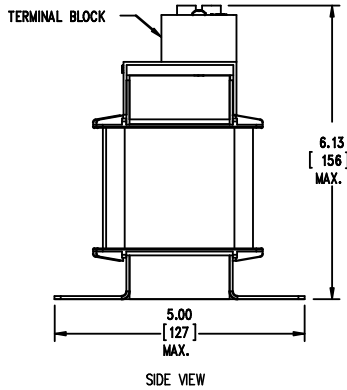
TOP VIEW



FRONT VIEW

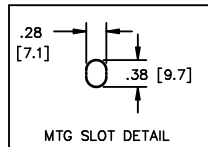


BOTTOM VIEW



SIDE VIEW

TERMINAL BLOCK
SUITABLE FOR
#14 TO #4 AWG
CONDUCTORS
QTY. 1 PER PHASE



MTG SLOT DETAIL



TOLERANCES
MOUNTING CENTERS = +/- .06"
MOUNTING HOLE SIZE = +/- .005"

THIS DRAWING CONTAINS PROPRIETARY INFORMATION
BELONGING TO HAMMOND POWER SOLUTIONS INC.,
AND IS NOT FOR GENERAL DISTRIBUTION

All Dimensions in Inches
mm in Parenthesis

REACTOR

hammond
POWER SOLUTIONS

HPS CENTURION R
3PH DRY TYPE
REACTOR

CRX0059AC

0.17MH 50/60 HZ 59 AMPS
0.6 KV CLASS TEMP CLASS: 130 TYPE JR
AMBIENT: 50°C

NOTES:



TITLE: 3 PHASE LINE REACTOR

1	24/05/21	PB	HCN: 80927	DES: PBAKER
NO.	DATE	BY	REVISION	SCALE: NTS

SHEET 1 OF 1

EDBCRX0059AC