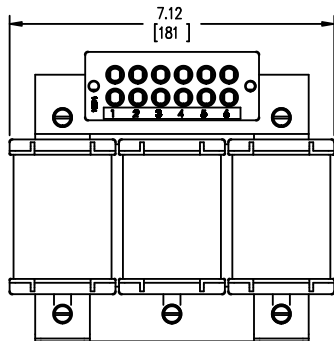
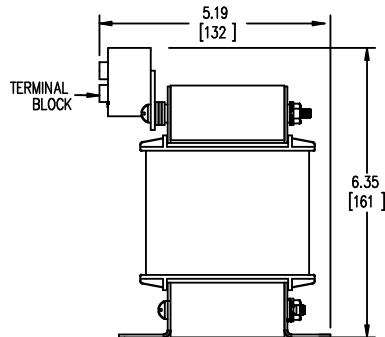


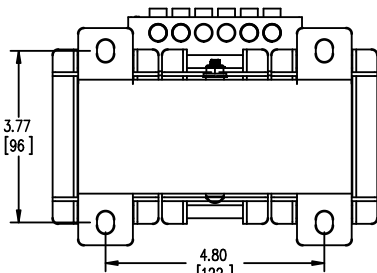
TOP VIEW



FRONT VIEW

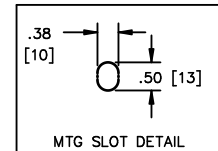


SIDE VIEW



BOTTOM VIEW

TERMINAL BLOCK  
SUITABLE FOR  
#14 TO #4 AWG  
CONDUCTORS  
QTY. 1 PER PHASE



TOLERANCES  
MOUNTING CENTERS = +/- .06"  
MOUNTING HOLE SIZE = +/- .005"

THIS DRAWING CONTAINS PROPRIETARY INFORMATION  
BELONGING TO HAMMOND POWER SOLUTIONS INC.,  
AND IS NOT FOR GENERAL DISTRIBUTION

All Dimensions in Inches  
mm in Parenthesis

REACTOR



HPS CENTURION R  
3PH DRY TYPE  
REACTOR

MADE IN CANADA

P/N CRX0052DC

INDUCT. 0.742 mH Hz 50/60 AMPS 52 IP00

0.6 kV CLASS TEMP CLASS 180°C TYPE JR

WEIGHT 25/12 (LBS/KG) AMBIENT: 50°C



LR3902



f003776oe

NOTES:



TITLE: 3 PHASE LINE REACTOR

|     |          |    |            |             |
|-----|----------|----|------------|-------------|
| 1   | 24/05/21 | PB | HCN: 80927 | DES: PBAKER |
| NO. | DATE     | BY | REVISION   | SCALE: NTS  |

SHEET 1 OF 1

EDBCRX0052DC