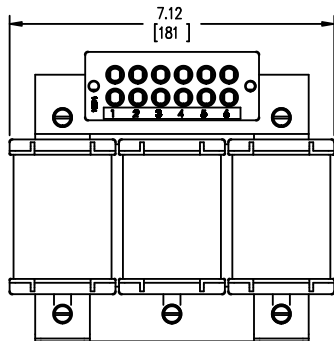
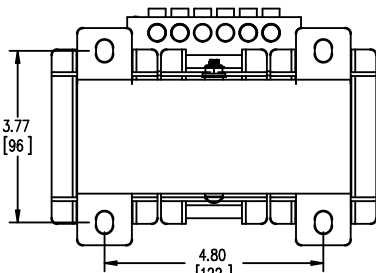


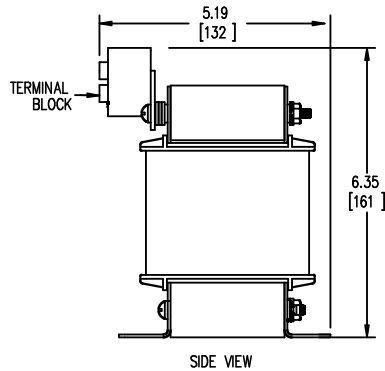
TOP VIEW



FRONT VIEW

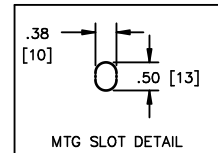


BOTTOM VIEW



SIDE VIEW

TERMINAL BLOCK
SUITABLE FOR
#14 TO #4 AWG
CONDUCTORS
QTY. 1 PER PHASE



TOLERANCES
MOUNTING CENTERS = +/- .06"
MOUNTING HOLE SIZE = +/- .005"

THIS DRAWING CONTAINS PROPRIETARY INFORMATION
BELONGING TO HAMMOND POWER SOLUTIONS INC.,
AND IS NOT FOR GENERAL DISTRIBUTION

All Dimensions in Inches
mm in Parenthesis

REACTOR



HPS CENTURION R
3PH DRY TYPE
REACTOR



MADE IN CANADA P/N CRX0052CC

INDUCT. 0.91mH Hz 50/60 AMPS 52 IP00

0.6 kV CLASS TEMP CLASS 180°C TYPE JR



WEIGHT 25/12 (LBS/KG) AMBIENT: 50°C E61431 LR3902

NOTES:



TITLE: 3 PHASE LINE REACTOR

1	24/05/21	PB	HCN: 80927	DES: PBAKER
NO.	DATE	BY	REVISION	SCALE: NTS

SHEET 1 OF 1

EDBCRX0052CC