

hammond

POWER SOLUTIONS



US LISTED

E61431

GUELPH,ONT BARABOO,WI COMPTON,CA MONTERREY,MX

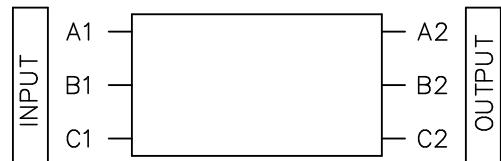
MADE IN CANADA

HPS Centurion P – 3 Phase Passive Harmonic Filter

| | | | |
|---------------------|----------------------------------|---------------|--|
| RATING (HP) | <input type="text" value="300"/> | CUST. REF. | <input type="text"/> |
| SYS. VOLTAGE | <input type="text" value="600"/> | SERIAL NO. | <input type="text"/> |
| FREQ. (Hz) | <input type="text" value="60"/> | PART NO. | <input type="text" value="CP1P6G0287F"/> |
| INPUT CURRENT(AMP) | <input type="text" value="270"/> | TYPE | PJR-4 <input type="text" value="AN"/> |
| OUTPUT CURRENT(AMP) | <input type="text" value="287"/> | WDG MATERIAL | <input type="text" value="COPPER"/> |
| TEMP. RISE °C | <input type="text" value="130"/> | ENCL. TYPE | <input type="text"/> |
| TEMP. CLASS °C | <input type="text" value="220"/> | WEIGHT lbs/kg | <input type="text" value="1050/477"/> |

WARNING: CAPACITOR VOLTAGE ABOVE 50V MAY REMAIN FOR 180 SECONDS AFTER POWER IS DISCONNECTED.

F0677EF



hammond

POWER SOLUTIONS

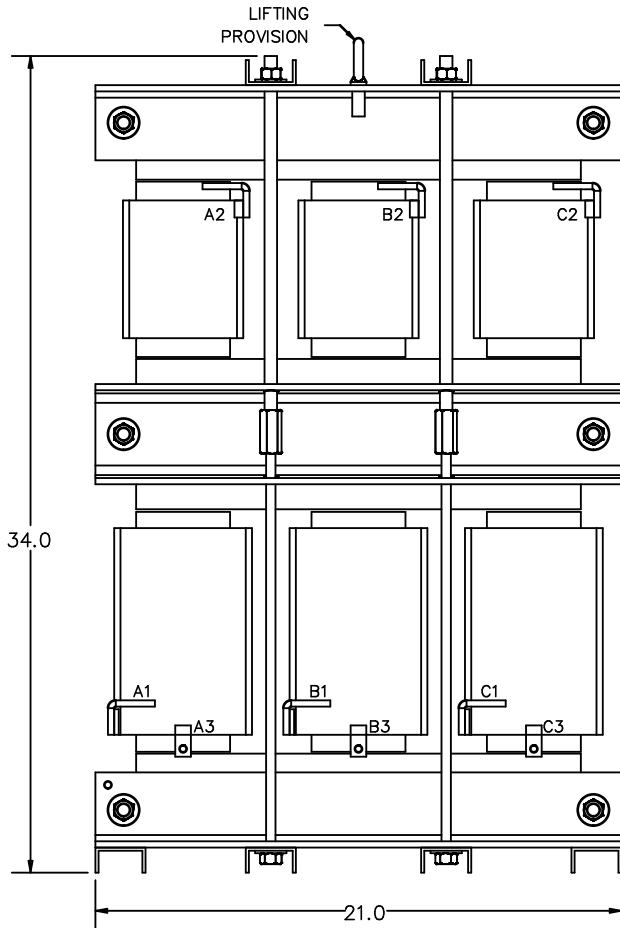
TITLE: PASSIVE FILTER
NAMEPLATE INFORMATION

| | |
|--------|----------|
| DES: | MVAGHANI |
| DATE: | 26/01/28 |
| SCALE: | NTS |

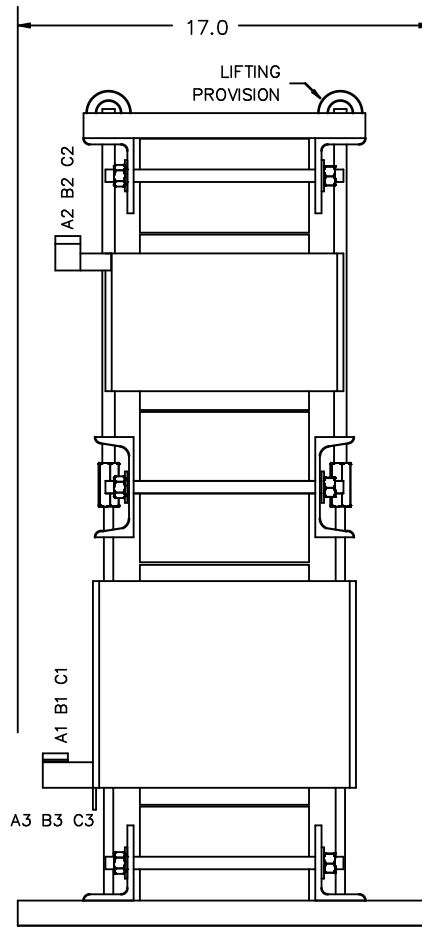
| NO. | DATE | BY | REVISION |
|-----|------|----|----------|
| | | | |

SHEET 1 OF 2

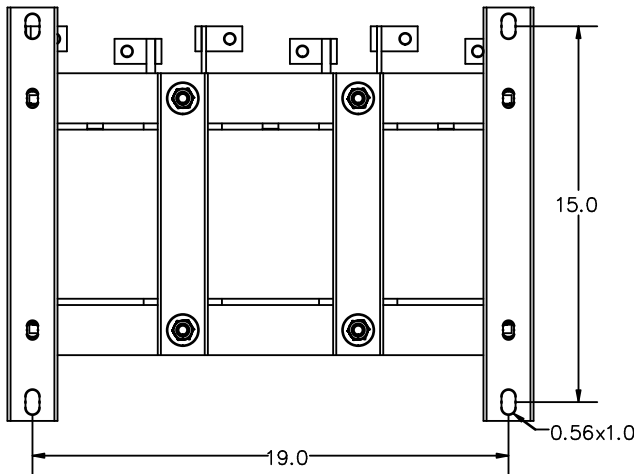
EDBCP1P6G0287F



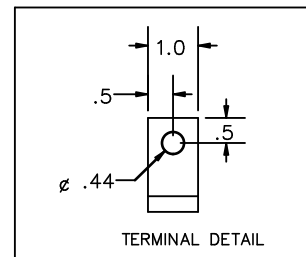
FRONT VIEW



SIDE VIEW



BOTTOM VIEW



TERMINAL DETAIL



TOLERANCES
MOUNTING CENTERS = +/- .06"
MOUNTING HOLE SIZE = +/- .005"

THIS DRAWING CONTAINS PROPRIETARY INFORMATION
BELONGING TO HAMMOND POWER SOLUTIONS INC.,
AND IS NOT FOR GENERAL DISTRIBUTION

All Dimensions in Inches
mm in Parenthesis

FILTER



TITLE: PASSIVE FILTER
FLOOR MOUNT DIMENSIONS

| NO. | DATE | BY | REVISION | DES: MVAGHANI |
|-----|------|----|----------|----------------|
| | | | | DATE: 26/01/28 |
| | | | | SCALE: NTS |

SHEET 2 OF 2

EDBCP1P6G0287F