

hammond

POWER SOLUTIONS



US LISTED

E61431

GUELPH,ONT BARABOO,WI COMPTON,CA MONTERREY,MX

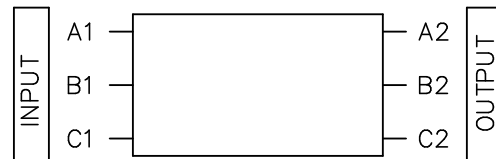
MADE IN CANADA

HPS Centurion P – 3 Phase Passive Harmonic Filter

RATING (HP)	60	CUST. REF.	
SYS. VOLTAGE	600	SERIAL NO.	
FREQ. (Hz)	60	PART NO.	CP1P6G0059C
INPUT CURRENT(AMP)	55	TYPE PR-3	ANN
OUTPUT CURRENT(AMP)	59	WDG MATERIAL	COPPER
TEMP. RISE °C	130	ENCL. TYPE	3R
TEMP. CLASS °C	220	WEIGHT lbs/kg	420/191

WARNING: CAPACITOR VOLTAGE ABOVE 50V MAY REMAIN FOR 180 SECONDS AFTER POWER IS DISCONNECTED.

F0677EF



hammond

POWER SOLUTIONS

TITLE: PASSIVE FILTER
NAMEPLATE INFORMATION

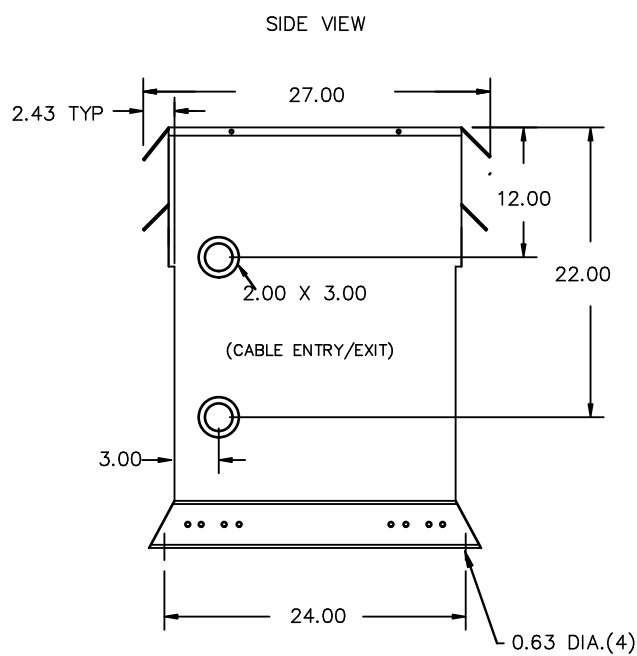
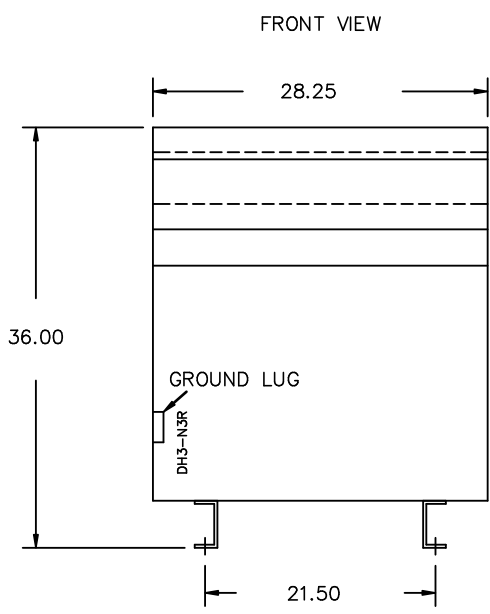
				DES: PBAKER
				DATE: 22/10/05
NO.	DATE	BY	REVISION	SCALE: NTS

SHEET 1 OF 2

EDBCP1P6G0059C

THIS DRAWING CONTAINS STRICTLY CONFIDENTIAL INFORMATION BELONGING TO HAMMOND POWER SOLUTIONS AND MUST NOT BE DISTRIBUTED OUTSIDE AUTHORIZED PARTIES. 0.3 httpd 2026/06/05 21:25

THIS DRAWING CONTAINS STRICTLY CONFIDENTIAL INFORMATION BELONGING TO HAMMOND POWER SOLUTIONS AND MUST NOT BE DISTRIBUTED OUTSIDE AUTHORIZED PARTIES.

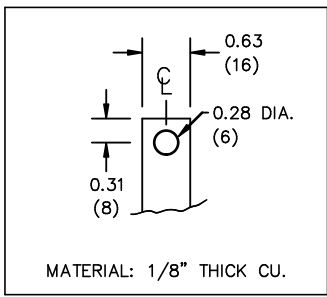
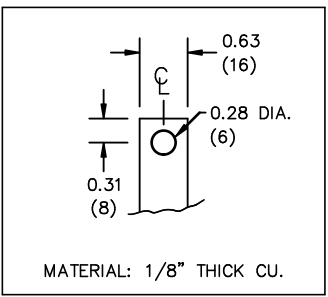


All Dimensions in inches

ENCLOSURE COLOR :ANSI 61 GREY – OUTDOOR

INPUT TERMINAL DETAIL

OUTPUT TERMINAL DETAIL



- CUSTOMER NOTES:
- INPUT TERMINATED AT BOTTOM FRONT
 - OUTPUT TERMINATED AT TOP FRONT



TITLE: PASSIVE FILTER ENCLOSURE & TERMINATION DETAIL				
				DES: PBAKER
				DATE: 22/10/05
				SCALE: NTS
NO.	DATE	BY	REVISION	

SHEET 2 OF 2
EDBCP1P6G0059C
0.3 httpd 2026/06/05 21:25