

**hammond**  
POWER SOLUTIONS



C  US LISTED  
E61431

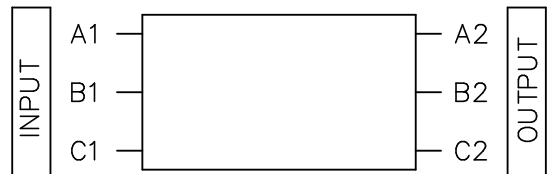
GUELPH,ONT BARABOO,WI COMPTON,CA MONTERREY,MX  
MADE IN CANADA

HPS Centurion P – 3 Phase Passive Harmonic Filter

RATING (HP)	<input type="text" value="5"/>	CUST. REF.	<input type="text"/>
SYS. VOLTAGE	<input type="text" value="600"/>	SERIAL NO.	<input type="text"/>
FREQ. (Hz)	<input type="text" value="60"/>	PART NO.	<input type="text" value="CP1P6G0006F"/>
INPUT CURRENT(AMP)	<input type="text" value="5"/>	TYPE	AN <input type="text" value="PJR-1"/>
OUTPUT CURRENT(AMP)	<input type="text" value="6"/>	WDG MATERIAL	<input type="text" value="COPPER"/>
TEMP. RISE °C	<input type="text" value="130"/>	ENCL. TYPE	<input type="text"/>
TEMP. CLASS °C	<input type="text" value="220"/>	WEIGHT lbs/kg	<input type="text" value="120/55"/>

WARNING: CAPACITOR VOLTAGE ABOVE 50V MAY REMAIN FOR 180 SECONDS AFTER POWER IS DISCONNECTED.

F0677EF



**hammond**  
POWER SOLUTIONS

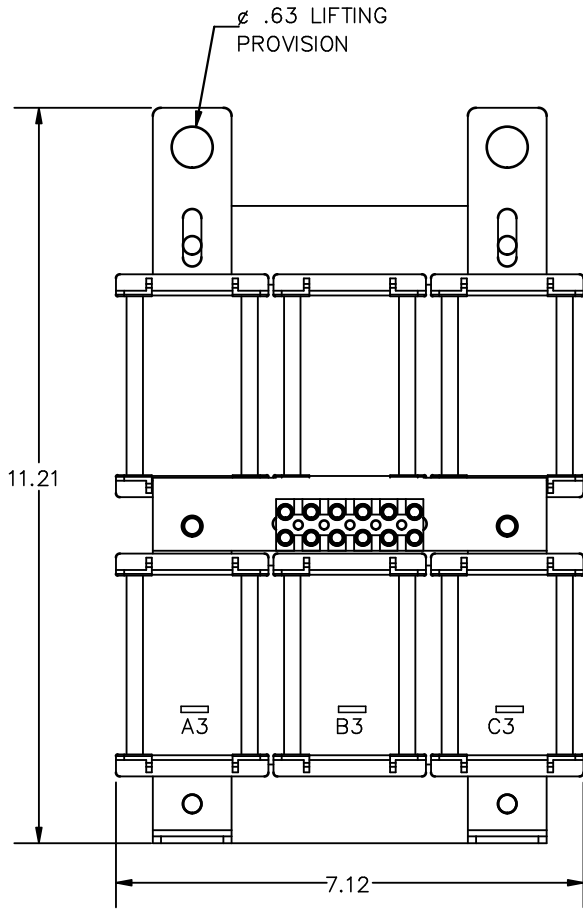
TITLE: PASSIVE FILTER  
NAMEPLATE INFORMATION

				DES: PBAKER
				DATE: 24/12/13
NO.	DATE	BY	REVISION	SCALE: NTS

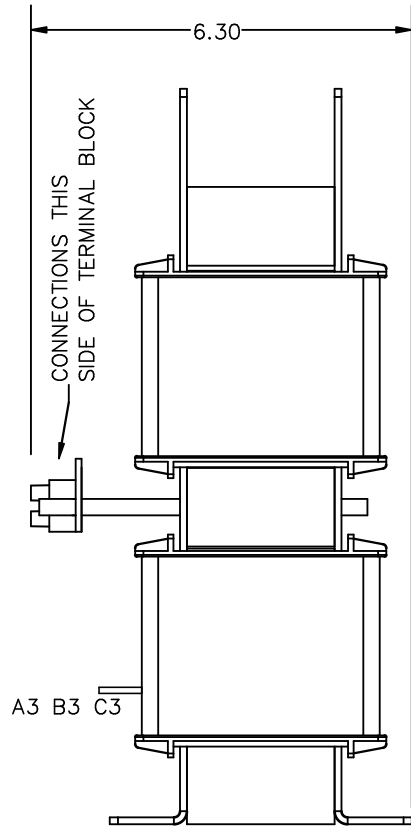
SHEET 1 OF 3

EDBCP1P6G0006F

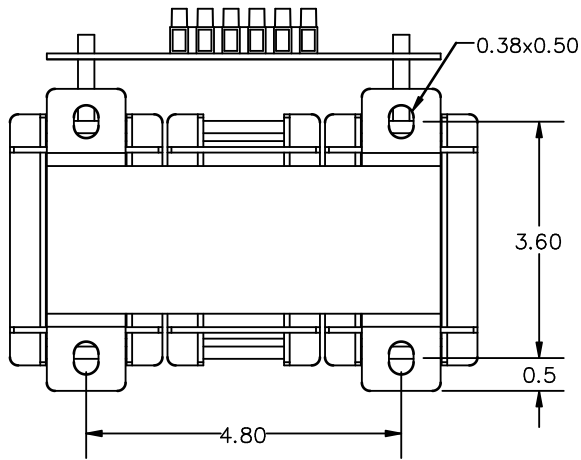
0.0 httpd 2026/06/25 01:33 THIS DRAWING CONTAINS STRICTLY CONFIDENTIAL INFORMATION BELONGING TO HAMMOND POWER SOLUTIONS AND MUST NOT BE DISTRIBUTED OUTSIDE AUTHORIZED PARTIES.



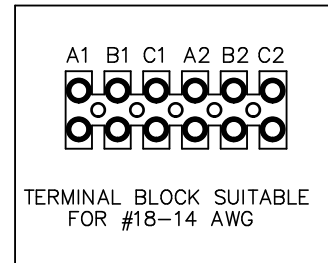
FRONT VIEW



SIDE VIEW



BOTTOM VIEW



TOLERANCES  
MOUNTING CENTERS = +/- .06"  
MOUNTING HOLE SIZE = +/- .005"

THIS DRAWING CONTAINS PROPRIETARY INFORMATION  
BELONGING TO HAMMOND POWER SOLUTIONS INC.,  
AND IS NOT FOR GENERAL DISTRIBUTION

All Dimensions in Inches  
mm in Parenthesis

FILTER



TITLE: PASSIVE FILTER  
FLOOR MOUNTING

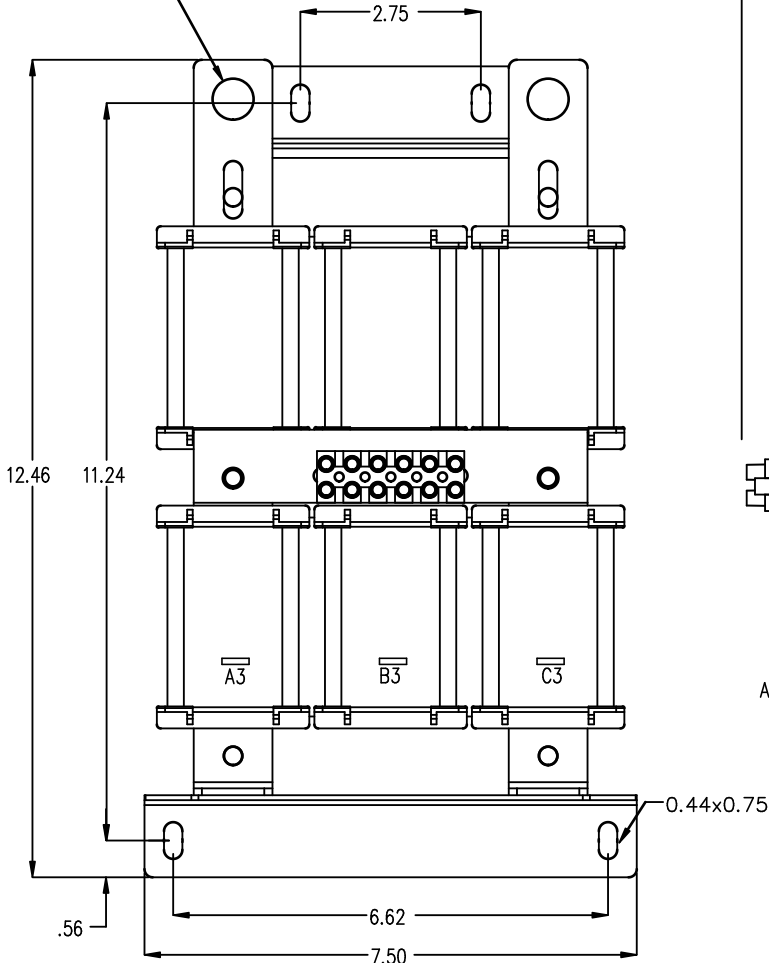
DES:	PBAKER
DATE:	24/12/13
SCALE:	NTS

NO.	DATE	BY	REVISION

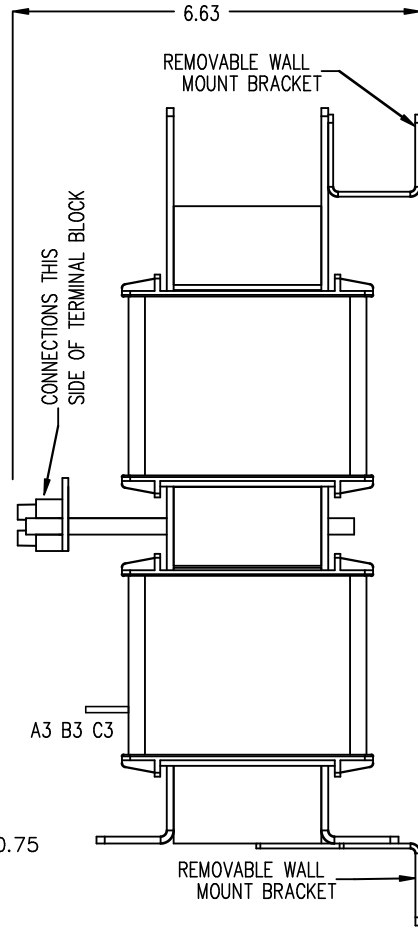
SHEET 2 OF 3

EDBCP1P6G0006F

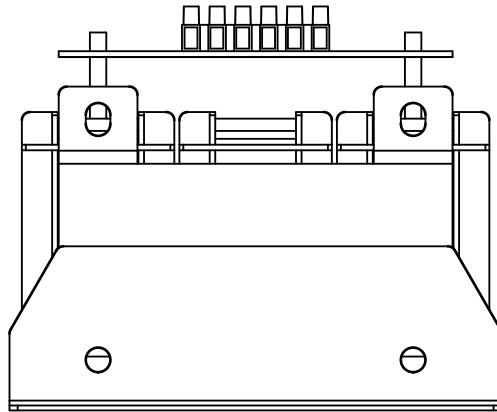
∅.63 LIFTING PROVISION



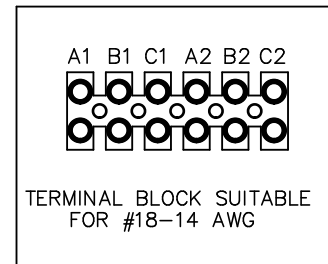
FRONT VIEW



SIDE VIEW



BOTTOM VIEW



TOLERANCES  
MOUNTING CENTERS = +/- .06"  
MOUNTING HOLE SIZE = +/- .005"

THIS DRAWING CONTAINS PROPRIETARY INFORMATION  
BELONGING TO HAMMOND POWER SOLUTIONS INC.,  
AND IS NOT FOR GENERAL DISTRIBUTION

All Dimensions in Inches  
mm in Parenthesis

FILTER



TITLE: PASSIVE FILTER WALL MOUNTING				DES: PBAKER
				DATE: 24/12/13
NO.	DATE	BY	REVISION	SCALE: NTS

SHEET 3 OF 3

EDBCP1P6G0006F

0.0 httpd 2026/06/25 01:33

THIS DRAWING CONTAINS STRICTLY CONFIDENTIAL INFORMATION BELONGING TO HAMMOND POWER SOLUTIONS AND MUST NOT BE DISTRIBUTED OUTSIDE AUTHORIZED PARTIES.