

# hammond

POWER SOLUTIONS



US LISTED

E61431

GUELPH,ONT BARABOO,WI COMPTON,CA MONTERREY,MX

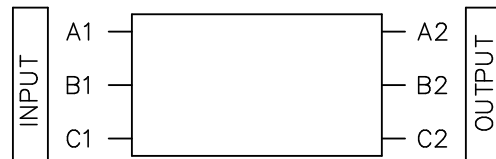
MADE IN CANADA

## HPS Centurion P – 3 Phase Passive Harmonic Filter

RATING (HP)	500	CUST. REF.	
SYS. VOLTAGE	480	SERIAL NO.	
FREQ. (Hz)	60	PART NO.	CP1K6G0632F
INPUT CURRENT(AMP)	595	TYPE	PJR-4 AN
OUTPUT CURRENT(AMP)	632	WDG MATERIAL	COPPER
TEMP. RISE °C	130	ENCL. TYPE	
TEMP. CLASS °C	220	WEIGHT lbs/kg	1900/862

WARNING: CAPACITOR VOLTAGE ABOVE 50V MAY REMAIN FOR 180 SECONDS AFTER POWER IS DISCONNECTED.

F0677EF



# hammond

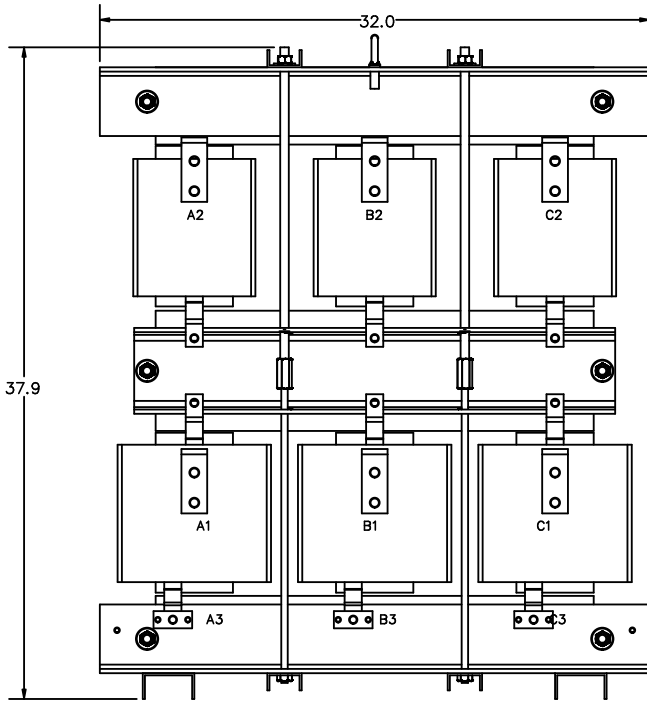
POWER SOLUTIONS

TITLE: PASSIVE FILTER  
NAMEPLATE INFORMATION

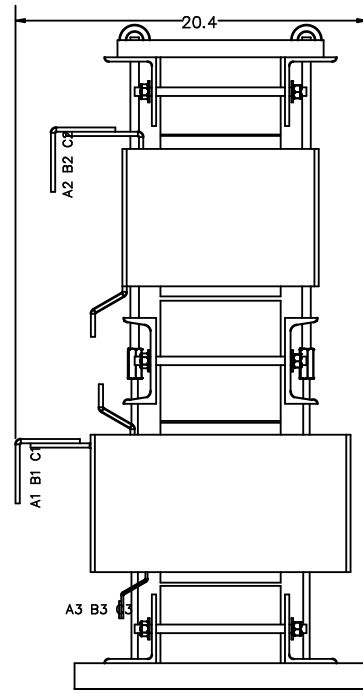
				DES: PBAKER
				DATE: 22/09/27
NO.	DATE	BY	REVISION	SCALE: NTS

SHEET 1 OF 3

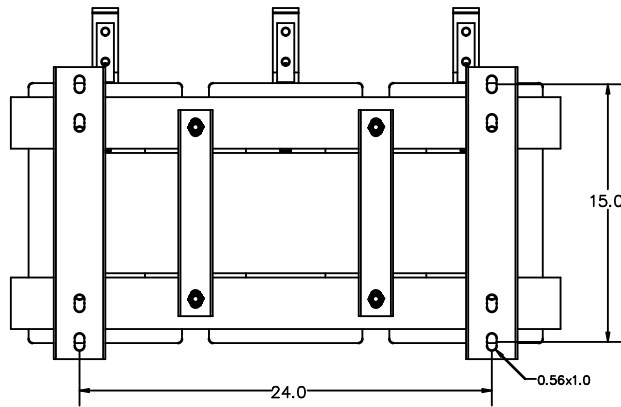
EDBCP1K6G0632F



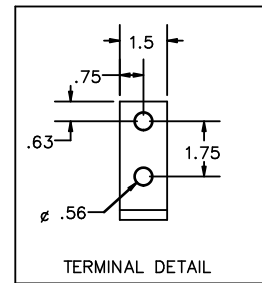
FRONT VIEW



SIDE VIEW



BOTTOM VIEW



TERMINAL DETAIL



TOLERANCES  
MOUNTING CENTERS = +/- .06"  
MOUNTING HOLE SIZE = +/- .005"

THIS DRAWING CONTAINS PROPRIETARY INFORMATION  
BELONGING TO HAMMOND POWER SOLUTIONS INC.,  
AND IS NOT FOR GENERAL DISTRIBUTION

All Dimensions in Inches  
mm in Parenthesis

FILTER



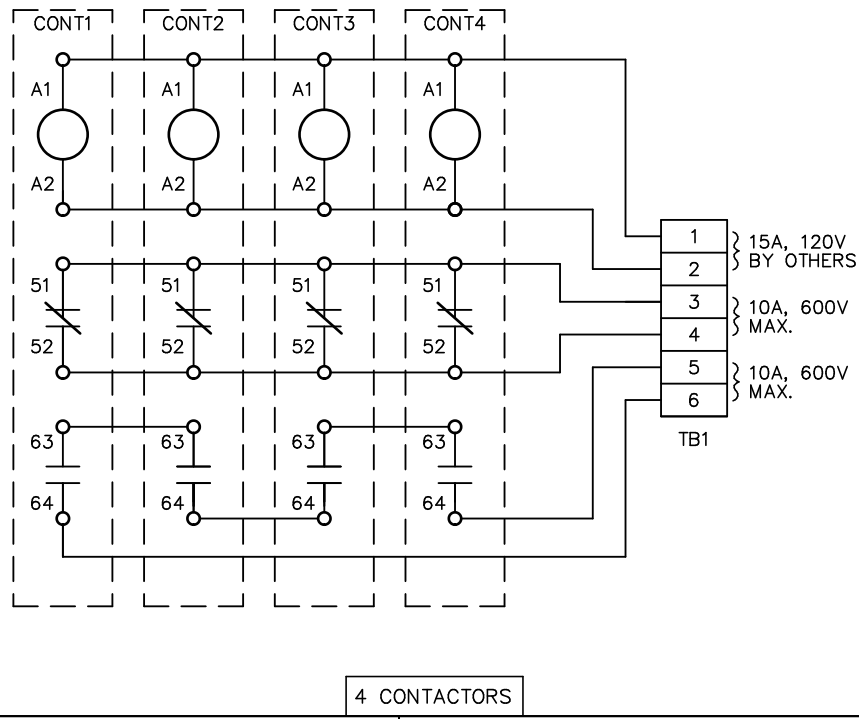
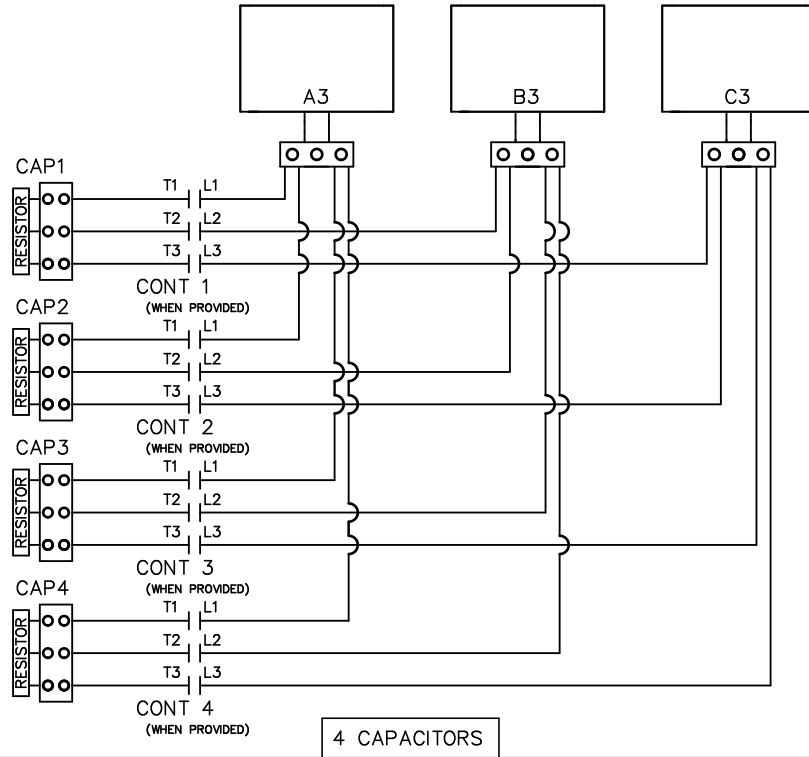
TITLE: PASSIVE FILTER  
FLOOR MOUNT DIMENSIONS

NO.	DATE	BY	REVISION	DES: PBAKER DATE: 22/09/27 SCALE: NTS

SHEET 2 OF 3

EDB CP1K6G0632F

- ENSURE RESISTOR IS INSTALLED IN CAPACITOR TERMINAL BLOCK
- RESISTOR MAY BE SUPPLIED LOOSE WITH THE CAPACITOR
- USE 1 WIRE FROM A3 B3 C3 TO EACH CAPACITOR. DONOT WIRE FROM CAPACITOR TO CAPACITOR
- INSTALL AUX CONTACT TO SIDE OF CONTACTOR PER THE MANUFACTURES INSTRUCTIONS



TITLE: PASSIVE FILTER CAPACITOR AND CONTACTOR WIRING			
DES:	PBAKER		
DATE:	22/09/27		
NO.	DATE	BY	REVISION
			SCALE: NTS

SHEET 3 OF 3  
EDBCP1K6G0632F  
0.1 httpd 2026/04/04 15:19