

# hammond

POWER SOLUTIONS



US LISTED

E61431

GUELPH,ONT BARABOO,WI COMPTON,CA MONTERREY,MX

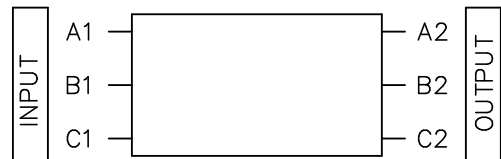
MADE IN CANADA

## HPS Centurion P – 3 Phase Passive Harmonic Filter

RATING (HP)	350	CUST. REF.	
SYS. VOLTAGE	480	SERIAL NO.	
FREQ. (Hz)	60	PART NO.	CP1K6G0420F
INPUT CURRENT(AMP)	395	TYPE	PJR-4 AN
OUTPUT CURRENT(AMP)	420	WDG MATERIAL	COPPER
TEMP. RISE °C	130	ENCL. TYPE	
TEMP. CLASS °C	220	WEIGHT lbs/kg	1000/454

WARNING: CAPACITOR VOLTAGE ABOVE 50V MAY REMAIN FOR 180 SECONDS AFTER POWER IS DISCONNECTED.

F0677EF



# hammond

POWER SOLUTIONS

TITLE: PASSIVE FILTER  
NAMEPLATE INFORMATION

DES:	PBAKER
DATE:	22/09/27
SCALE:	NTS

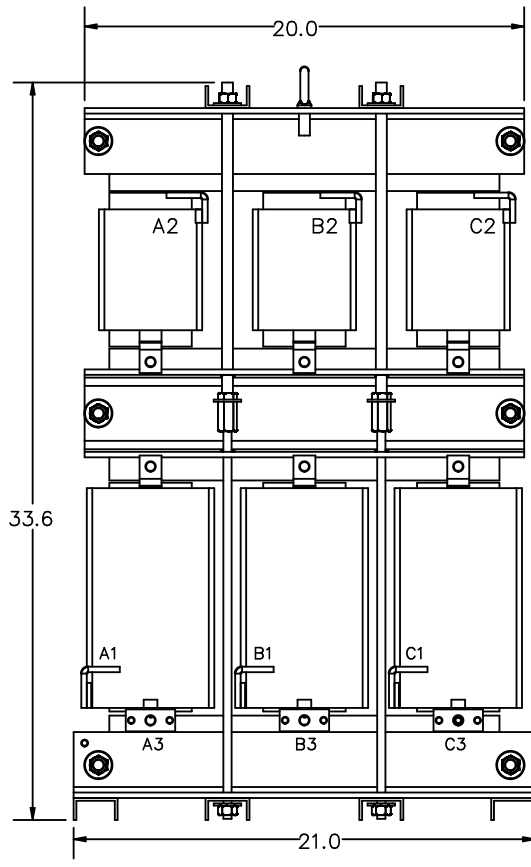
NO.	DATE	BY	REVISION

SHEET 1 OF 3

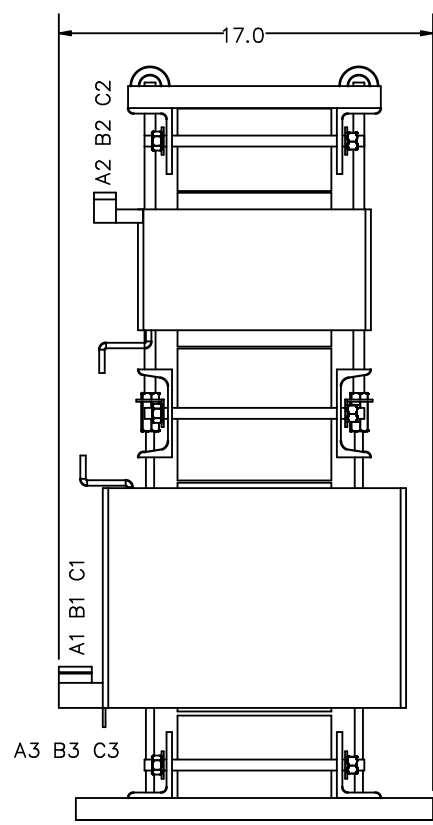
EDBCP1K6G0420F

0.1 httpd 2026/06/25 03:36

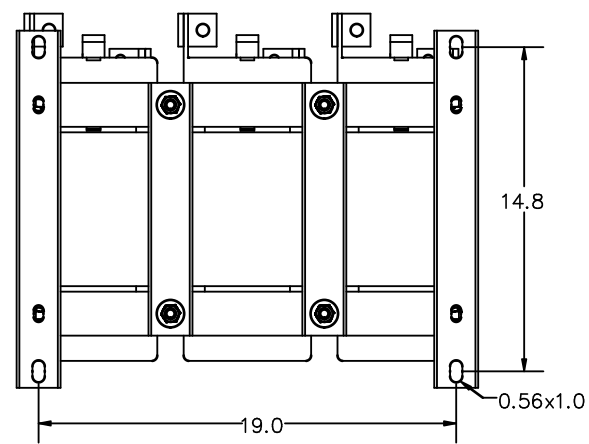
THIS DRAWING CONTAINS STRICTLY CONFIDENTIAL INFORMATION BELONGING TO HAMMOND POWER SOLUTIONS AND MUST NOT BE DISTRIBUTED OUTSIDE AUTHORIZED PARTIES.



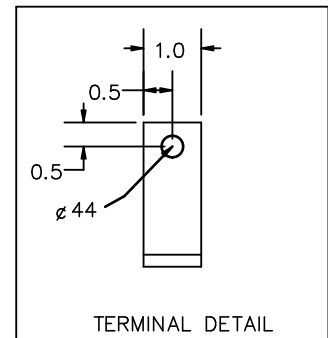
FRONT VIEW



SIDE VIEW



BOTTOM VIEW



TERMINAL DETAIL



TOLERANCES  
MOUNTING CENTERS = +/- .06"  
MOUNTING HOLE SIZE = +/- .005"

THIS DRAWING CONTAINS PROPRIETARY INFORMATION  
BELONGING TO HAMMOND POWER SOLUTIONS INC.,  
AND IS NOT FOR GENERAL DISTRIBUTION

All Dimensions in Inches  
mm in Parenthesis

FILTER



TITLE: PASSIVE FILTER  
FLOOR MOUNT DIMENSIONS

DES:	PBAKER
DATE:	22/09/27
SCALE:	NTS

NO.	DATE	BY	REVISION

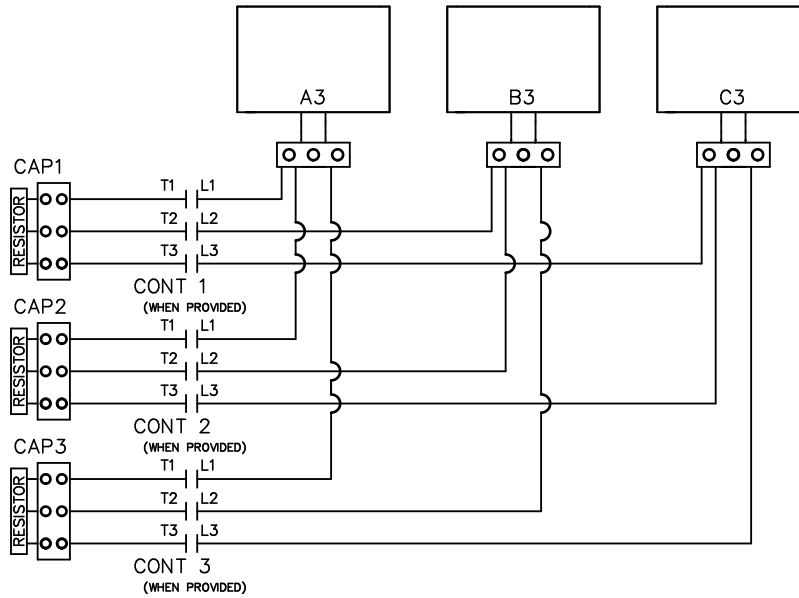
SHEET 2 OF 3

EDBCP1K6G0420F

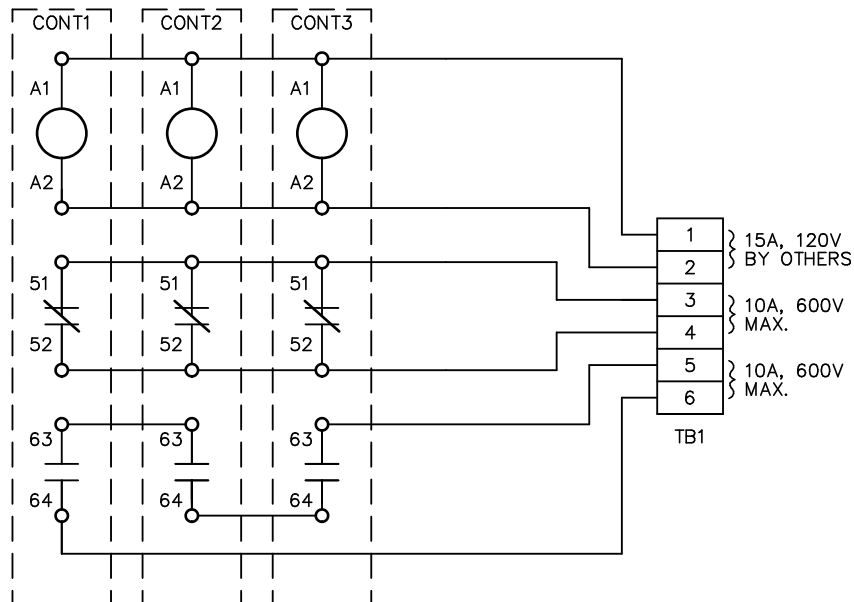
0.1 httpd 2026/06/25 03:36

THIS DRAWING CONTAINS STRICTLY CONFIDENTIAL INFORMATION BELONGING TO HAMMOND POWER SOLUTIONS AND MUST NOT BE DISTRIBUTED OUTSIDE AUTHORIZED PARTIES.

- ENSURE RESISTOR IS INSTALLED IN CAPACITOR TERMINAL BLOCK
- RESISTOR MAY BE SUPPLIED LOOSE WITH THE CAPACITOR
- USE 1 WIRE FROM A3 B3 C3 TO EACH CAPACITOR. DONOT WIRE FROM CAPACITOR TO CAPACITOR
- INSTALL AUX CONTACT TO SIDE OF CONTACTOR PER THE MANUFACTURES INSTRUCTIONS



3 CAPACITORS



3 CONTACTORS



TITLE: PASSIVE FILTER  
CAPACITOR AND CONTACTOR WIRING

DES:	PBAKER
DATE:	22/09/27
SCALE:	NTS

SHEET 3 OF 3

EDBCP1K6G0420F