

hammond

POWER SOLUTIONS



US LISTED

E61431

GUELPH,ONT BARABOO,WI COMPTON,CA MONTERREY,MX

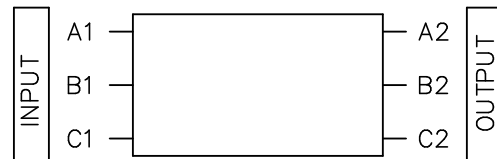
MADE IN CANADA

HPS Centurion P – 3 Phase Passive Harmonic Filter

RATING (HP)	350	CUST. REF.	
SYS. VOLTAGE	480	SERIAL NO.	
FREQ. (Hz)	60	PART NO.	CP1K6G0420C
INPUT CURRENT(AMP)	395	TYPE PR-3	ANN
OUTPUT CURRENT(AMP)	420	WDG MATERIAL	COPPER
TEMP. RISE °C	130	ENCL. TYPE	3R
TEMP. CLASS °C	220	WEIGHT lbs/kg	1400/636

WARNING: CAPACITOR VOLTAGE ABOVE 50V MAY REMAIN FOR 180 SECONDS AFTER POWER IS DISCONNECTED.

F0677EF



hammond

POWER SOLUTIONS

TITLE: PASSIVE FILTER
NAMEPLATE INFORMATION

DES:	JIGAR.M
DATE:	22/04/25
SCALE:	NTS

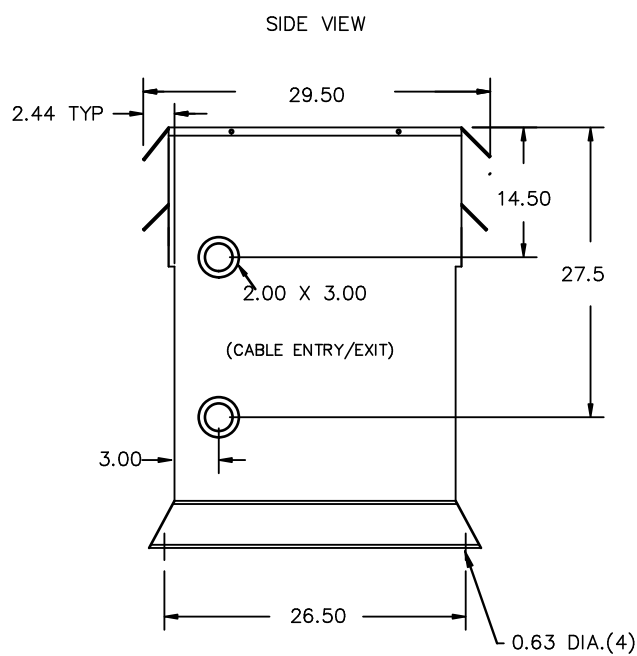
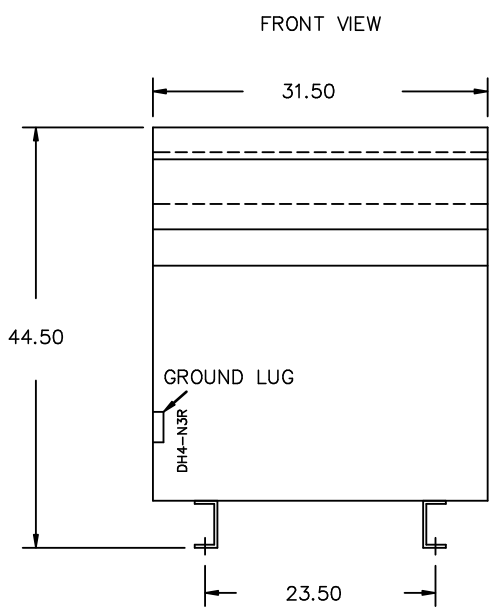
NO.	DATE	BY	REVISION

SHEET 1 OF 2

EDBCP1K6G0420C

THIS DRAWING CONTAINS STRICTLY CONFIDENTIAL INFORMATION BELONGING TO HAMMOND POWER SOLUTIONS AND MUST NOT BE DISTRIBUTED OUTSIDE AUTHORIZED PARTIES. 0.3 httpd 2026/04/03 17:32

THIS DRAWING CONTAINS STRICTLY CONFIDENTIAL INFORMATION BELONGING TO HAMMOND POWER SOLUTIONS AND MUST NOT BE DISTRIBUTED OUTSIDE AUTHORIZED PARTIES.

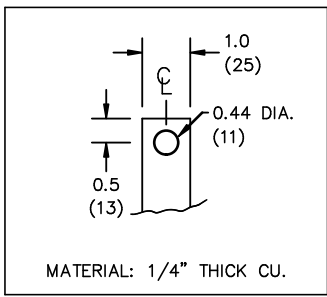
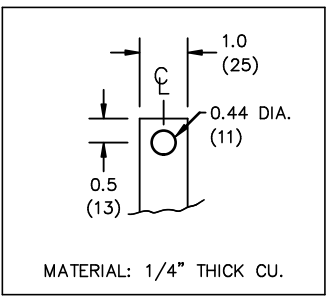


All Dimensions in inches

ENCLOSURE COLOR :ANSI 61 GREY – OUTDOOR

INPUT TERMINAL DETAIL

OUTPUT TERMINAL DETAIL



- CUSTOMER NOTES:
- INPUT TERMINATED AT TOP FRONT
 - OUTPUT TERMINATED AT BOTTOM FRONT



TITLE: PASSIVE FILTER ENCLOSURE & TERMINATION DETAIL				DES: JIGAR.M
				DATE: 22/04/25
NO.	DATE	BY	REVISION	SCALE: NTS

SHEET 2 OF 2
EDBCP1K6G0420C
0.3 httpd 2026/04/03 17:32