

# hammond

POWER SOLUTIONS



US LISTED

E61431

GUELPH,ONT BARABOO,WI COMPTON,CA MONTERREY,MX

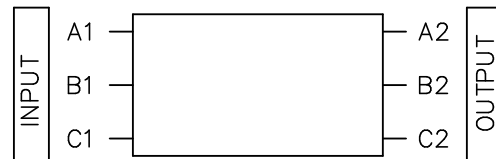
MADE IN CANADA

## HPS Centurion P – 3 Phase Passive Harmonic Filter

RATING (HP)	300	CUST. REF.	
SYS. VOLTAGE	480	SERIAL NO.	
FREQ. (Hz)	60	PART NO.	CP1K6G0358C
INPUT CURRENT(AMP)	337	TYPE PR-3	ANN
OUTPUT CURRENT(AMP)	358	WDG MATERIAL	COPPER
TEMP. RISE °C	130	ENCL. TYPE	3R
TEMP. CLASS °C	220	WEIGHT lbs/kg	1300/590

WARNING: CAPACITOR VOLTAGE ABOVE 50V MAY REMAIN FOR 180 SECONDS AFTER POWER IS DISCONNECTED.

F0677EF



# hammond

POWER SOLUTIONS

TITLE: PASSIVE FILTER  
NAMEPLATE INFORMATION

DES:	JIGAR.M
DATE:	22/04/21
SCALE:	NTS

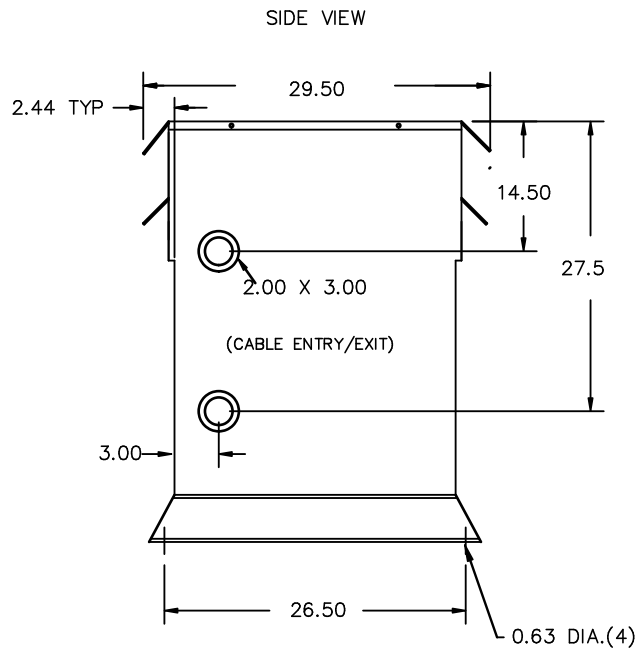
NO.	DATE	BY	REVISION

SHEET 1 OF 2

EDBCP1K6G0358C

0.1 httpd 2026/05/27 13:04

THIS DRAWING CONTAINS STRICTLY CONFIDENTIAL INFORMATION BELONGING TO HAMMOND POWER SOLUTIONS AND MUST NOT BE DISTRIBUTED OUTSIDE AUTHORIZED PARTIES.

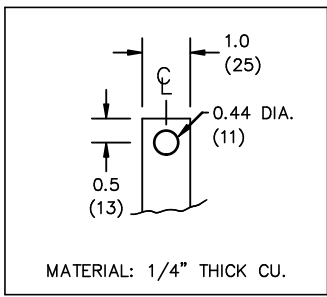
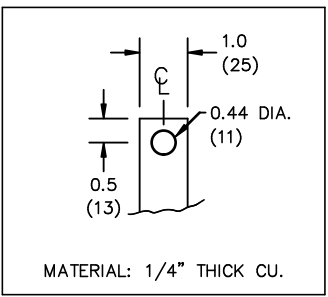


All Dimensions in inches

ENCLOSURE COLOR :ANSI 61 GREY – OUTDOOR

INPUT TERMINAL DETAIL

OUTPUT TERMINAL DETAIL



- CUSTOMER NOTES:
- INPUT TERMINATED AT TOP FRONT
  - OUTPUT TERMINATED AT BOTTOM FRONT



TITLE: PASSIVE FILTER ENCLOSURE & TERMINATION DETAIL				
				DES: JIGAR.M
				DATE: 22/04/21
				SCALE: NTS
NO.	DATE	BY	REVISION	

SHEET 2 OF 2

EDBCP1K6G0358C

0.1 httpd 2026/05/27 13:04 THIS DRAWING CONTAINS STRICTLY CONFIDENTIAL INFORMATION BELONGING TO HAMMOND POWER SOLUTIONS AND MUST NOT BE DISTRIBUTED OUTSIDE AUTHORIZED PARTIES.