

hammond

POWER SOLUTIONS



US LISTED

E61431

GUELPH,ONT BARABOO,WI COMPTON,CA MONTERREY,MX

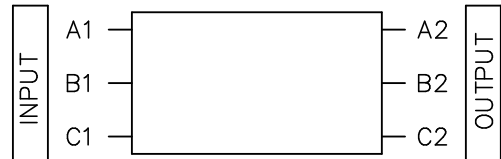
MADE IN CANADA

HPS Centurion P – 3 Phase Passive Harmonic Filter

RATING (HP)	250	CUST. REF.	
SYS. VOLTAGE	480	SERIAL NO.	
FREQ. (Hz)	60	PART NO.	CP1K6G0299F
INPUT CURRENT(AMP)	281	TYPE PRJ-4	AN
OUTPUT CURRENT(AMP)	299	WDG MATERIAL	COPPER
TEMP. RISE °C	130	ENCL. TYPE	
TEMP. CLASS °C	220	WEIGHT lbs/kg	775/352

WARNING: CAPACITOR VOLTAGE ABOVE 50V MAY REMAIN FOR 180 SECONDS AFTER POWER IS DISCONNECTED.

F0677EF



hammond

POWER SOLUTIONS

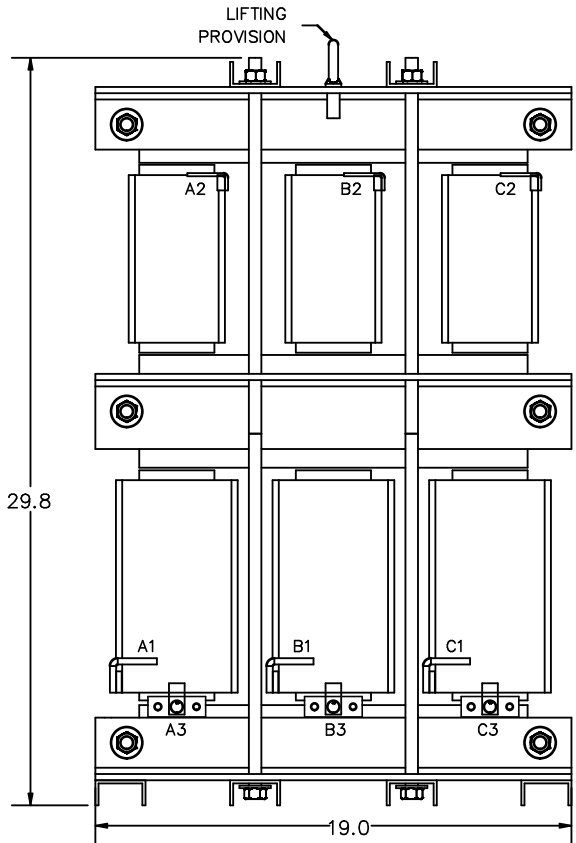
TITLE: PASSICE HARMONIC FILTER
NAMEPLATE INFORMATION

				DES: PBAKER
				DATE: 22/09/27
NO.	DATE	BY	REVISION	SCALE: NTS

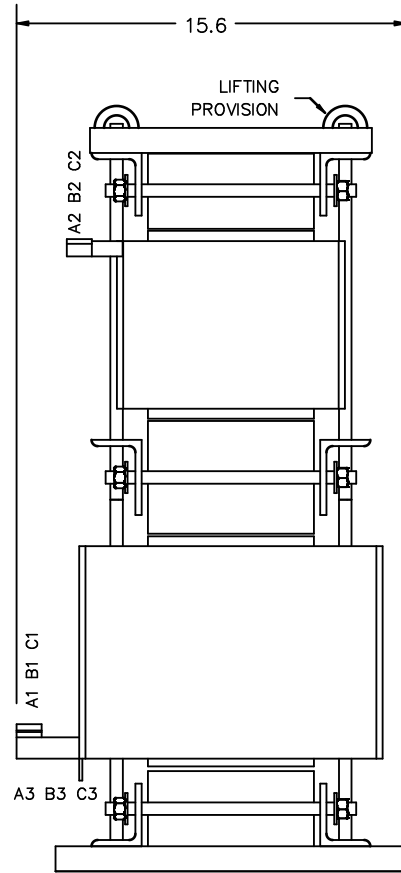
SHEET 1 OF 2

EDB CP1K6G0299F

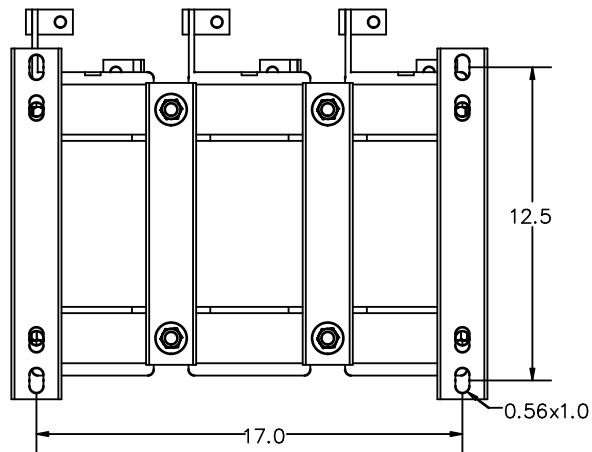
0.0 httpd 2026/06/24 21:26 THIS DRAWING CONTAINS STRICTLY CONFIDENTIAL INFORMATION BELONGING TO HAMMOND POWER SOLUTIONS AND MUST NOT BE DISTRIBUTED OUTSIDE AUTHORIZED PARTIES.



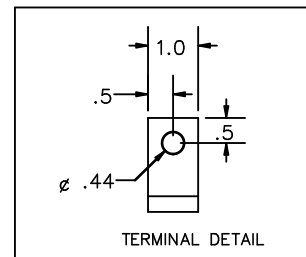
FRONT VIEW



SIDE VIEW



BOTTOM VIEW



TERMINAL DETAIL



TOLERANCES
MOUNTING CENTERS = +/- .06"
MOUNTING HOLE SIZE = +/- .005"

THIS DRAWING CONTAINS PROPRIETARY INFORMATION
BELONGING TO HAMMOND POWER SOLUTIONS INC.,
AND IS NOT FOR GENERAL DISTRIBUTION

All Dimensions in Inches
mm in Parenthesis

FILTER



TITLE: PASSICE HARMONIC FILTER
FLOOR MOUNT DIMENSIONS

NO.	DATE	BY	REVISION	DES: PBAKER DATE: 22/09/27 SCALE: NTS

SHEET 2 OF 2

EDBCP1K6G0299F