

# hammond

POWER SOLUTIONS



US LISTED

E61431

GUELPH,ONT BARABOO,WI COMPTON,CA MONTERREY,MX

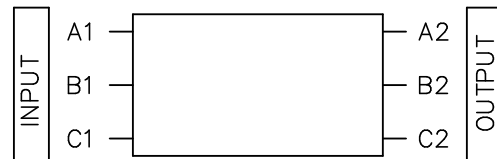
MADE IN CANADA

## HPS Centurion P – 3 Phase Passive Harmonic Filter

RATING (HP)	75	CUST. REF.	
SYS. VOLTAGE	480	SERIAL NO.	
FREQ. (Hz)	60	PART NO.	CP1K6G0091C
INPUT CURRENT(AMP)	85	TYPE PR	AN
OUTPUT CURRENT(AMP)	91	WDG MATERIAL	COPPER
TEMP. RISE °C	130	ENCL. TYPE	3R
TEMP. CLASS °C	220	WEIGHT lbs/kg	500/227

WARNING: CAPACITOR VOLTAGE ABOVE 50V MAY REMAIN FOR 180 SECONDS AFTER POWER IS DISCONNECTED.

F0677EF



# hammond

POWER SOLUTIONS

TITLE: PASSIVE FILTER  
NAMEPLATE INFORMATION

				DES: JIGAR.M
				DATE: 22/01/20
NO.	DATE	BY	REVISION	SCALE: NTS

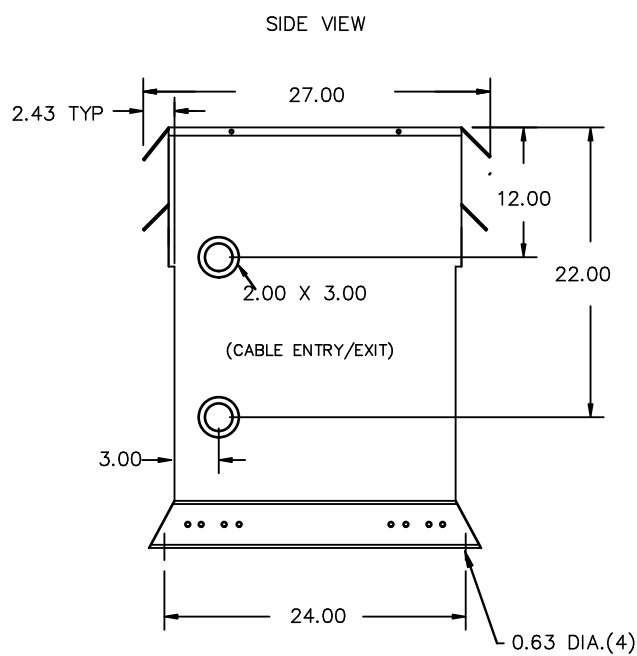
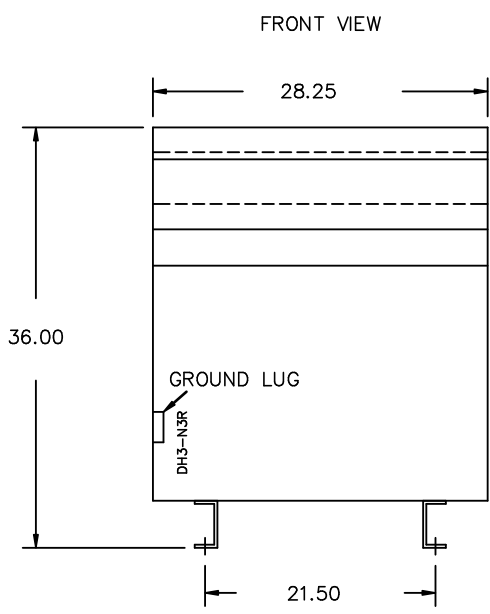
SHEET 1 OF 2

EDBCP1K6G0091C

0.1 htpd 2026/06/25 00:05

THIS DRAWING CONTAINS STRICTLY CONFIDENTIAL INFORMATION BELONGING TO HAMMOND POWER SOLUTIONS AND MUST NOT BE DISTRIBUTED OUTSIDE AUTHORIZED PARTIES.

THIS DRAWING CONTAINS STRICTLY CONFIDENTIAL INFORMATION BELONGING TO HAMMOND POWER SOLUTIONS AND MUST NOT BE DISTRIBUTED OUTSIDE AUTHORIZED PARTIES.

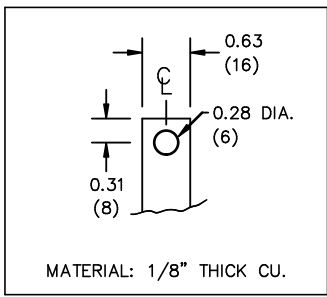
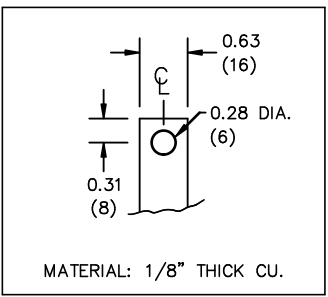


All Dimensions in inches

ENCLOSURE COLOR :ANSI 61 GREY – OUTDOOR

INPUT TERMINAL DETAIL

OUTPUT TERMINAL DETAIL



- CUSTOMER NOTES:
- INPUT TERMINATED AT TOP FRONT
  - OUTPUT TERMINATED AT BOTTOM FRONT



TITLE: PASSIVE FILTER ENCLOSURE & TERMINATION DETAIL				
				DES: JIGAR.M
				DATE: 22/01/20
NO.	DATE	BY	REVISION	SCALE: NTS

SHEET 2 OF 2  
EDBCP1K6G0091C  
0.1 httpd 2026/06/25 00:05