

**hammond**  
POWER SOLUTIONS



C  US LISTED  
E61431

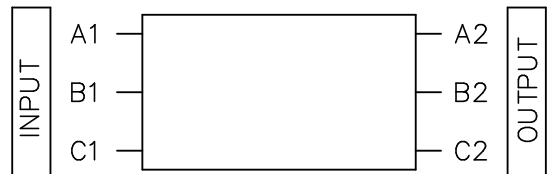
GUELPH,ONT BARABOO,WI COMPTON,CA MONTERREY,MX  
MADE IN CANADA

HPS Centurion P – 3 Phase Passive Harmonic Filter

RATING (HP)	<input type="text" value="10"/>	CUST. REF.	<input type="text"/>
SYS. VOLTAGE	<input type="text" value="480"/>	SERIAL NO.	<input type="text"/>
FREQ. (Hz)	<input type="text" value="60"/>	PART NO.	<input type="text" value="CP1K6G0014F"/>
INPUT CURRENT(AMP)	<input type="text" value="12"/>	TYPE	ANN <input type="text" value="PR-1"/>
OUTPUT CURRENT(AMP)	<input type="text" value="14"/>	WDG MATERIAL	<input type="text" value="COPPER"/>
TEMP. RISE °C	<input type="text" value="130"/>	ENCL. TYPE	<input type="text"/>
TEMP. CLASS °C	<input type="text" value="220"/>	WEIGHT lbs/kg	<input type="text" value="65/30"/>

WARNING: CAPACITOR VOLTAGE ABOVE 50V MAY REMAIN FOR 180 SECONDS AFTER POWER IS DISCONNECTED.

F0677EF



**hammond**  
POWER SOLUTIONS

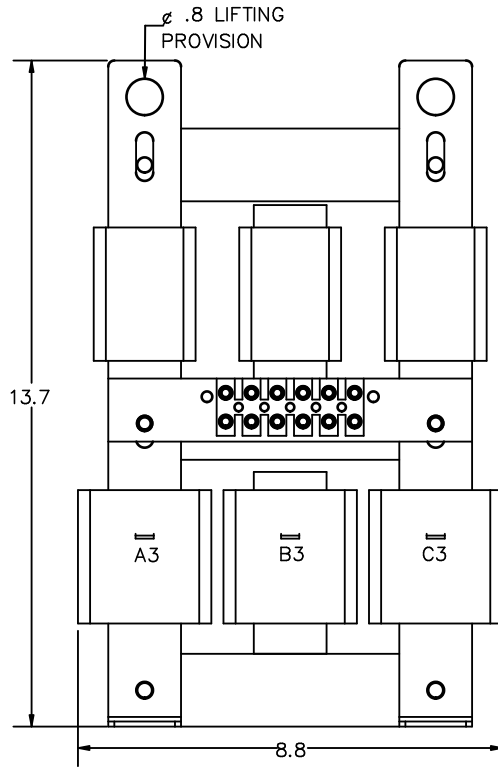
TITLE: PASSIVE FILTER  
NAMEPLATE INFORMATION

				DES: PBAKER
				DATE: 22/09/26
NO.	DATE	BY	REVISION	SCALE: NTS

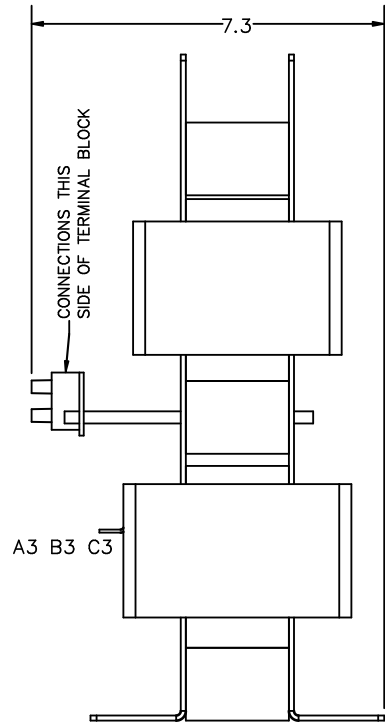
SHEET 1 OF 3

EDBCP1K6G0014F

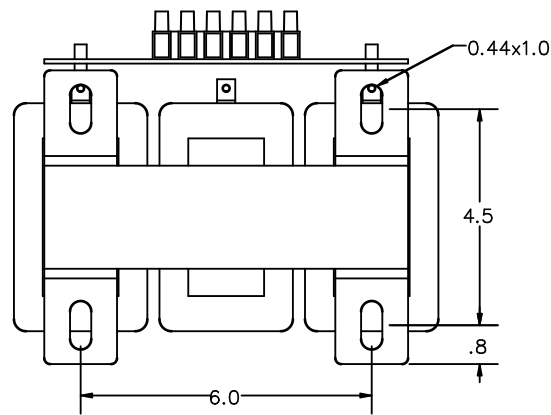
THIS DRAWING CONTAINS STRICTLY CONFIDENTIAL INFORMATION BELONGING TO HAMMOND POWER SOLUTIONS AND MUST NOT BE DISTRIBUTED OUTSIDE AUTHORIZED PARTIES. 0.1 httpd 2026/06/25 05:06



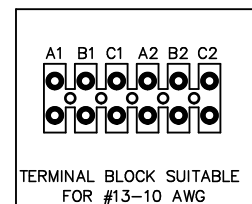
FRONT VIEW



SIDE VIEW



BOTTOM VIEW



	<p>TOLERANCES MOUNTING CENTERS = +/- .06" MOUNTING HOLE SIZE = +/- .005"</p>	<p>THIS DRAWING CONTAINS PROPRIETARY INFORMATION BELONGING TO HAMMOND POWER SOLUTIONS INC., AND IS NOT FOR GENERAL DISTRIBUTION</p>	<p>All Dimensions in Inches mm in Parenthesis</p>	<p>FILTER</p>
--	--	---	---	---------------

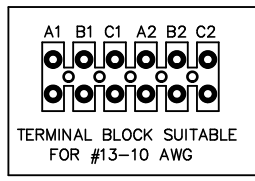
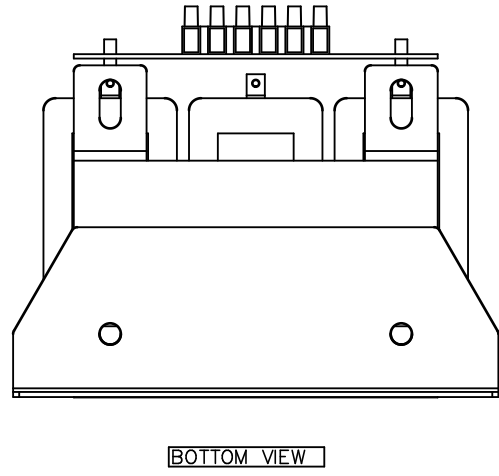
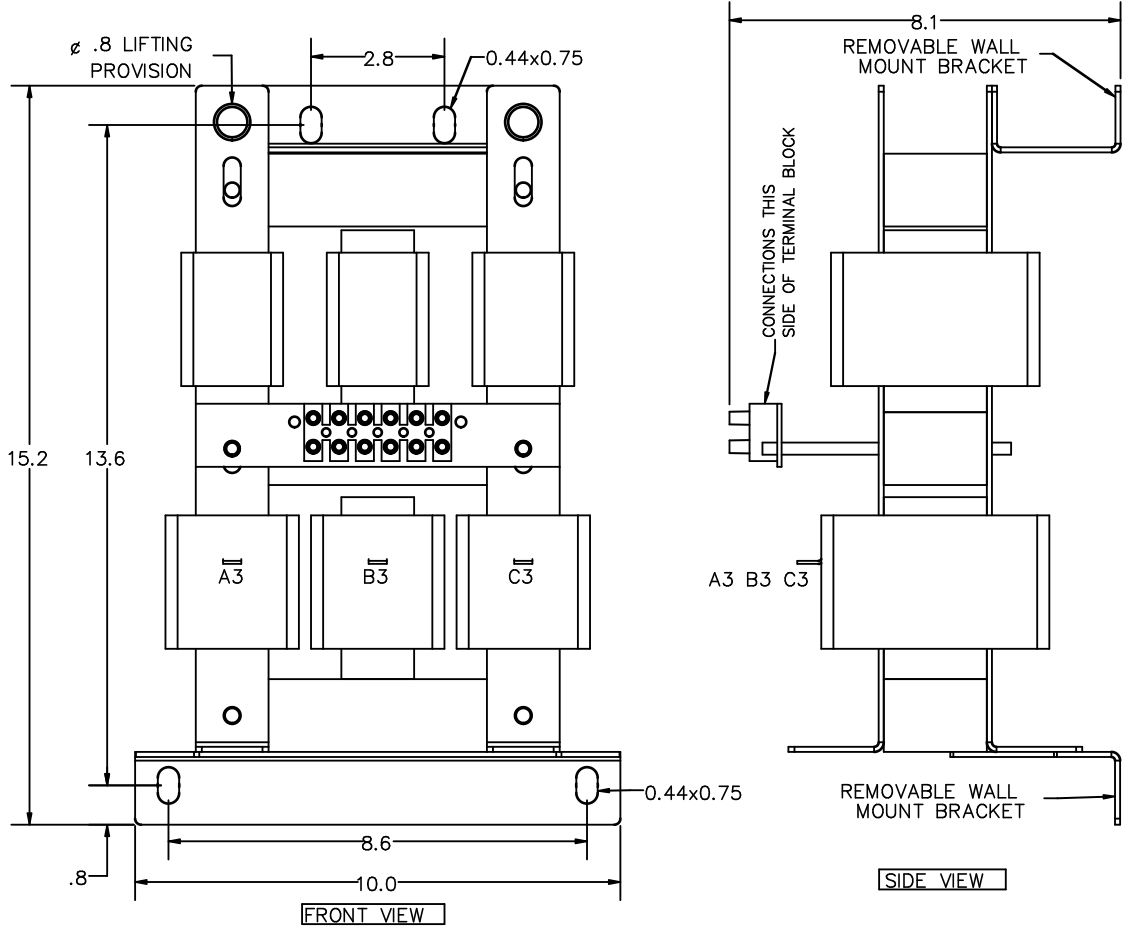


TITLE: PASSIVE FILTER				
FLOOR MOUNTING DIMENSIONS				
				DES: PBAKER
				DATE: 22/09/26
NO.	DATE	BY	REVISION	SCALE: NTS

SHEET 2 OF 3  
EDBCP1K6G0014F

THIS DRAWING CONTAINS STRICTLY CONFIDENTIAL INFORMATION BELONGING TO HAMMOND POWER SOLUTIONS AND MUST NOT BE DISTRIBUTED OUTSIDE AUTHORIZED PARTIES.

0.1 httpd 2026/06/25 05:06



TOLERANCES  
 MOUNTING CENTERS = +/- .06"  
 MOUNTING HOLE SIZE = +/- .005"

THIS DRAWING CONTAINS PROPRIETARY INFORMATION  
 BELONGING TO HAMMOND POWER SOLUTIONS INC.,  
 AND IS NOT FOR GENERAL DISTRIBUTION

All Dimensions in Inches  
 mm in Parenthesis

FILTER



TITLE: PASSIVE FILTER WALL MOUNTING DIMENSIONS				DES: PBAKER
				DATE: 22/09/26
NO.	DATE	BY	REVISION	SCALE: NTS

SHEET 3 OF 3

EDBCP1K6G0014F

0.1 httpd 2026/06/25 05:06

THIS DRAWING CONTAINS STRICTLY CONFIDENTIAL INFORMATION BELONGING TO HAMMOND POWER SOLUTIONS AND MUST NOT BE DISTRIBUTED OUTSIDE AUTHORIZED PARTIES.