

hammond

POWER SOLUTIONS



US LISTED

E61431

GUELPH,ONT BARABOO,WI COMPTON,CA MONTERREY,MX

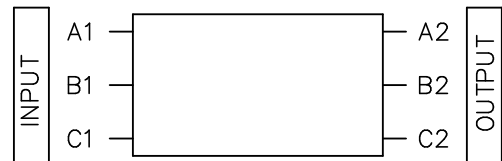
MADE IN CANADA

HPS Centurion P – 3 Phase Passive Harmonic Filter

RATING (HP)	<input type="text" value="7.5"/>	CUST. REF.	<input type="text"/>
SYS. VOLTAGE	<input type="text" value="480"/>	SERIAL NO.	<input type="text"/>
FREQ. (Hz)	<input type="text" value="60"/>	PART NO.	<input type="text" value="CP1K6G0011F"/>
INPUT CURRENT(AMP)	<input type="text" value="9"/>	TYPE	PJR-1 <input type="text" value="AN"/>
OUTPUT CURRENT(AMP)	<input type="text" value="11"/>	WDG MATERIAL	<input type="text" value="COPPER"/>
TEMP. RISE °C	<input type="text" value="130"/>	ENCL. TYPE	<input type="text"/>
TEMP. CLASS °C	<input type="text" value="220"/>	WEIGHT lbs/kg	<input type="text" value="45/21"/>

WARNING: CAPACITOR VOLTAGE ABOVE 50V MAY REMAIN FOR 180 SECONDS AFTER POWER IS DISCONNECTED.

F0677EF



hammond

POWER SOLUTIONS

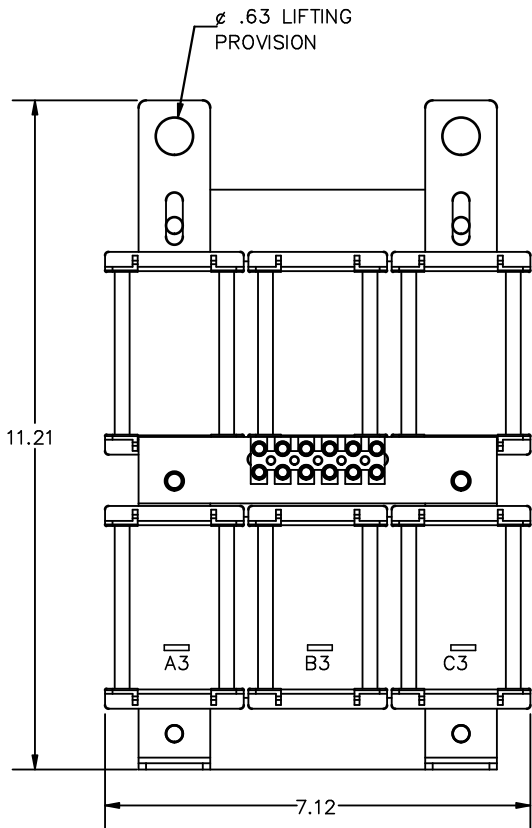
TITLE: PASSIVE FILTER
NAMEPLATE INFORMATION

				DES: PBAKER
				DATE: 22/09/26
NO.	DATE	BY	REVISION	SCALE: NTS

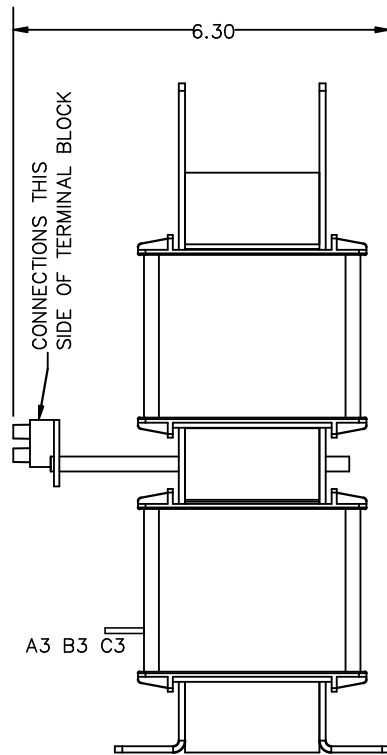
SHEET 1 OF 3

EDBCP1K6G0011F

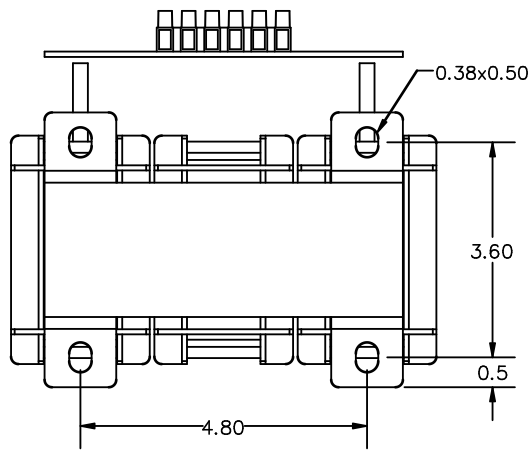
0.1 httpd 2026/05/13 10:05 THIS DRAWING CONTAINS STRICTLY CONFIDENTIAL INFORMATION BELONGING TO HAMMOND POWER SOLUTIONS AND MUST NOT BE DISTRIBUTED OUTSIDE AUTHORIZED PARTIES.



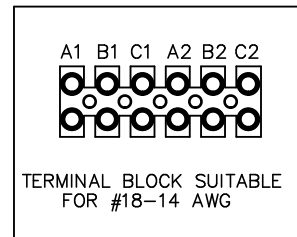
FRONT VIEW



SIDE VIEW



BOTTOM VIEW



TERMINAL BLOCK SUITABLE FOR #18-14 AWG



TOLERANCES
MOUNTING CENTERS = +/- .06"
MOUNTING HOLE SIZE = +/- .005"

THIS DRAWING CONTAINS PROPRIETARY INFORMATION
BELONGING TO HAMMOND POWER SOLUTIONS INC.,
AND IS NOT FOR GENERAL DISTRIBUTION

All Dimensions in Inches
mm in Parenthesis

FILTER



TITLE: PASSIVE FILTER
FLOOR MOUNT DIMENSIONS

NO.	DATE	BY	REVISION	DES: PBAKER DATE: 22/09/26 SCALE: NTS

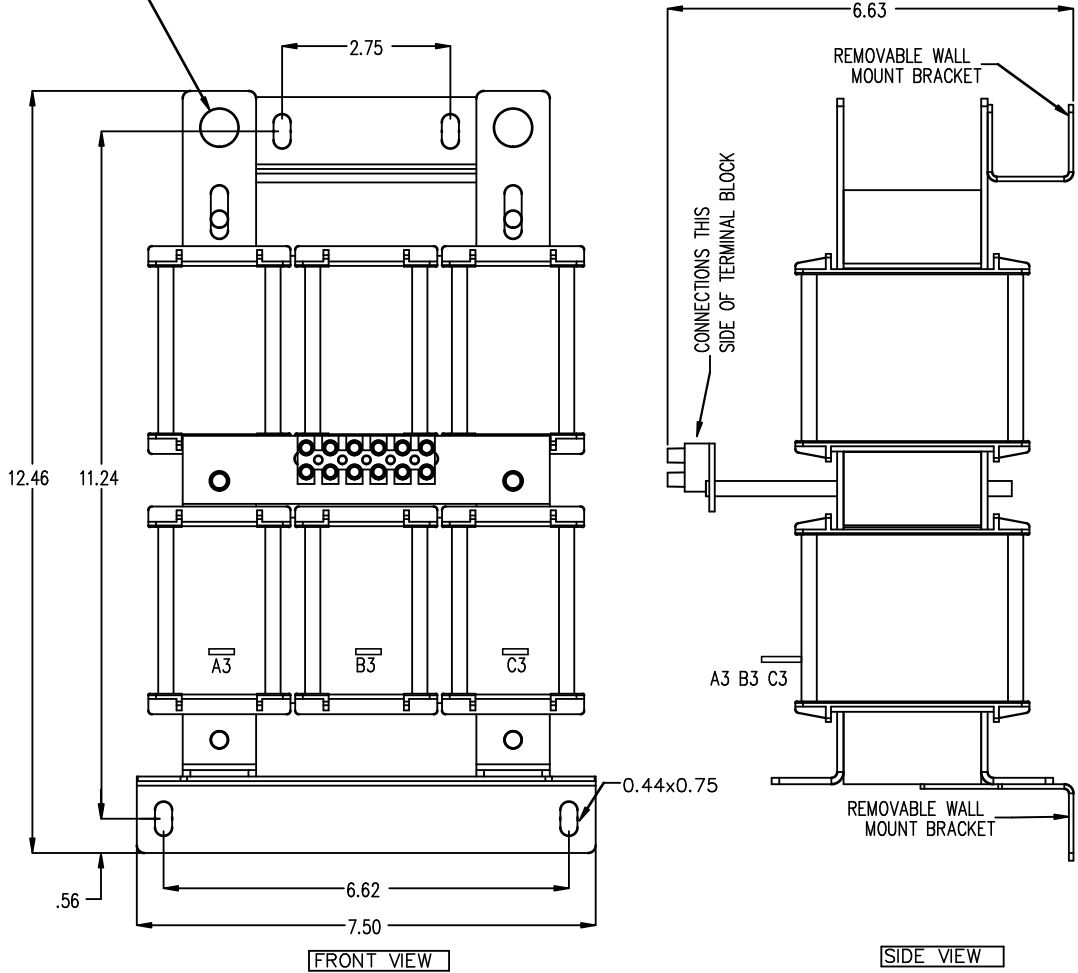
SHEET 2 OF 3

EDBCP1K6G0011F

0.1 httpd 2026/05/13 10:05

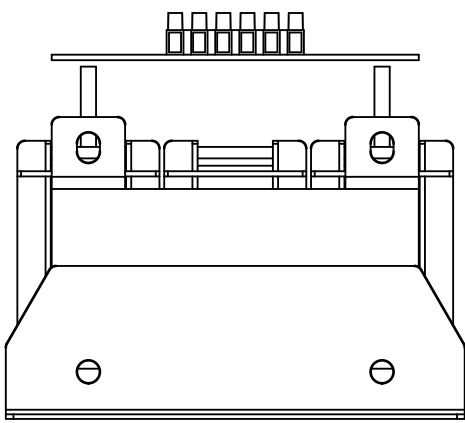
THIS DRAWING CONTAINS STRICTLY CONFIDENTIAL INFORMATION BELONGING TO HAMMOND POWER SOLUTIONS AND MUST NOT BE DISTRIBUTED OUTSIDE AUTHORIZED PARTIES.

ø.63 LIFTING PROVISION

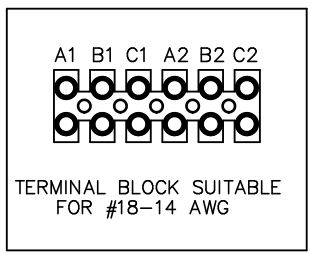


FRONT VIEW

SIDE VIEW



BOTTOM VIEW



TOLERANCES
MOUNTING CENTERS = +/- .06"
MOUNTING HOLE SIZE = +/- .005"

THIS DRAWING CONTAINS PROPRIETARY INFORMATION
BELONGING TO HAMMOND POWER SOLUTIONS INC.,
AND IS NOT FOR GENERAL DISTRIBUTION

All Dimensions in Inches
mm in Parenthesis

FILTER



TITLE: PASSIVE FILTER WALL MOUNT DIMENSIONS				
				DES: PBAKER
				DATE: 22/09/26
NO.	DATE	BY	REVISION	SCALE: NTS

SHEET 3 OF 3
EDBCP1K6G0011F