

# hammond

POWER SOLUTIONS



US LISTED

E61431

GUELPH,ONT BARABOO,WI COMPTON,CA MONTERREY,MX

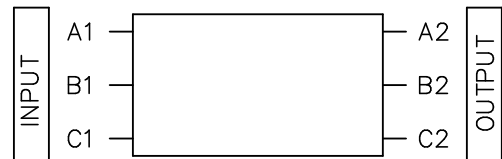
MADE IN CANADA

## HPS Centurion P – 3 Phase Passive Harmonic Filter

RATING (HP)	<input type="text" value="5"/>	CUST. REF.	<input type="text"/>
SYS. VOLTAGE	<input type="text" value="480"/>	SERIAL NO.	<input type="text"/>
FREQ. (Hz)	<input type="text" value="60"/>	PART NO.	<input type="text" value="CP1K6G0008F"/>
INPUT CURRENT(AMP)	<input type="text" value="7"/>	TYPE	PJR-1 <input type="text" value="AN"/>
OUTPUT CURRENT(AMP)	<input type="text" value="8"/>	WDG MATERIAL	<input type="text" value="COPPER"/>
TEMP. RISE °C	<input type="text" value="130"/>	ENCL. TYPE	<input type="text"/>
TEMP. CLASS °C	<input type="text" value="220"/>	WEIGHT lbs/kg	<input type="text" value="45/21"/>

WARNING: CAPACITOR VOLTAGE ABOVE 50V MAY REMAIN FOR 180 SECONDS AFTER POWER IS DISCONNECTED.

F0677EF



# hammond

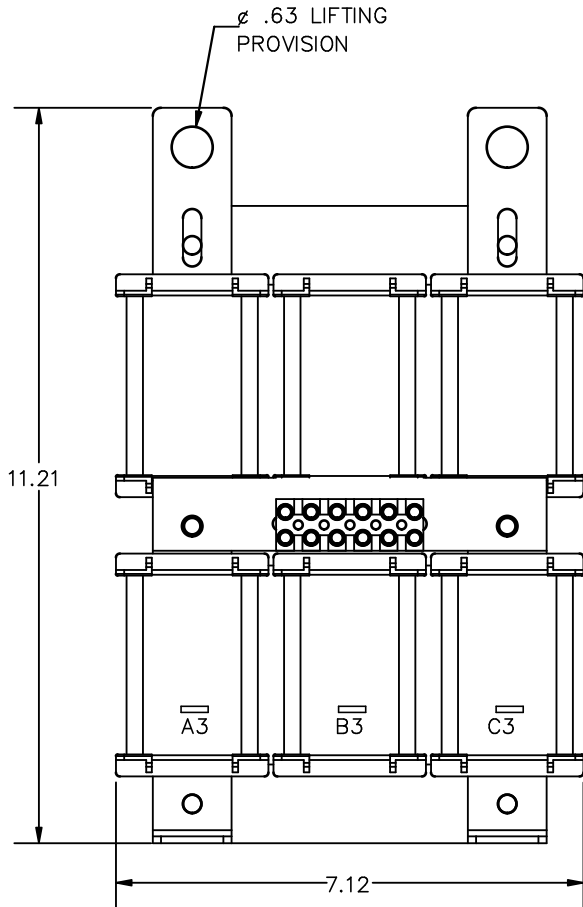
POWER SOLUTIONS

TITLE: PASSIVE FILTER  
NAMEPLATE INFORMATION

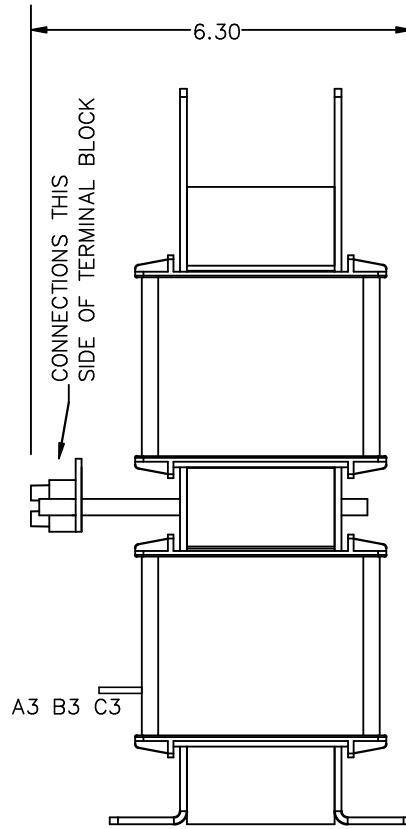
				DES: PBAKER
				DATE: 22/08/26
NO.	DATE	BY	REVISION	SCALE: NTS

SHEET 1 OF 3

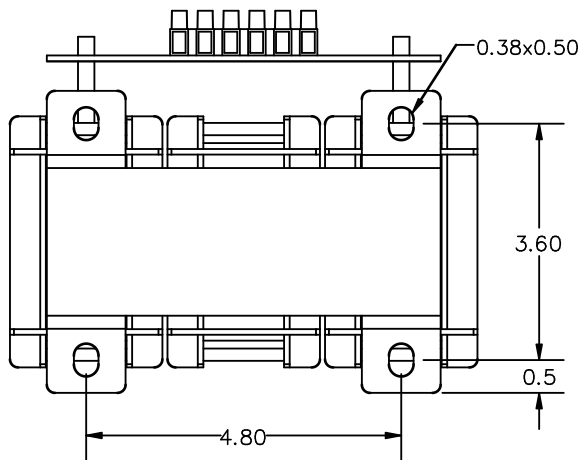
EDBCP1K6G0008F



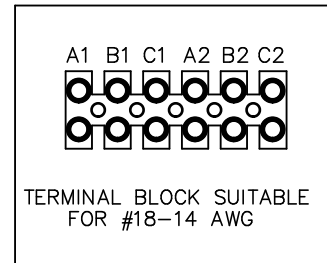
FRONT VIEW



SIDE VIEW



BOTTOM VIEW



TOLERANCES  
MOUNTING CENTERS = +/- .06"  
MOUNTING HOLE SIZE = +/- .005"

THIS DRAWING CONTAINS PROPRIETARY INFORMATION  
BELONGING TO HAMMOND POWER SOLUTIONS INC.,  
AND IS NOT FOR GENERAL DISTRIBUTION

All Dimensions in Inches  
mm in Parenthesis

FILTER



TITLE: PASSIVE FILTER  
FLOOR MOUNTING DIMENSIONS

NO.	DATE	BY	REVISION	DES: PBAKER
				DATE: 22/08/26
				SCALE: NTS

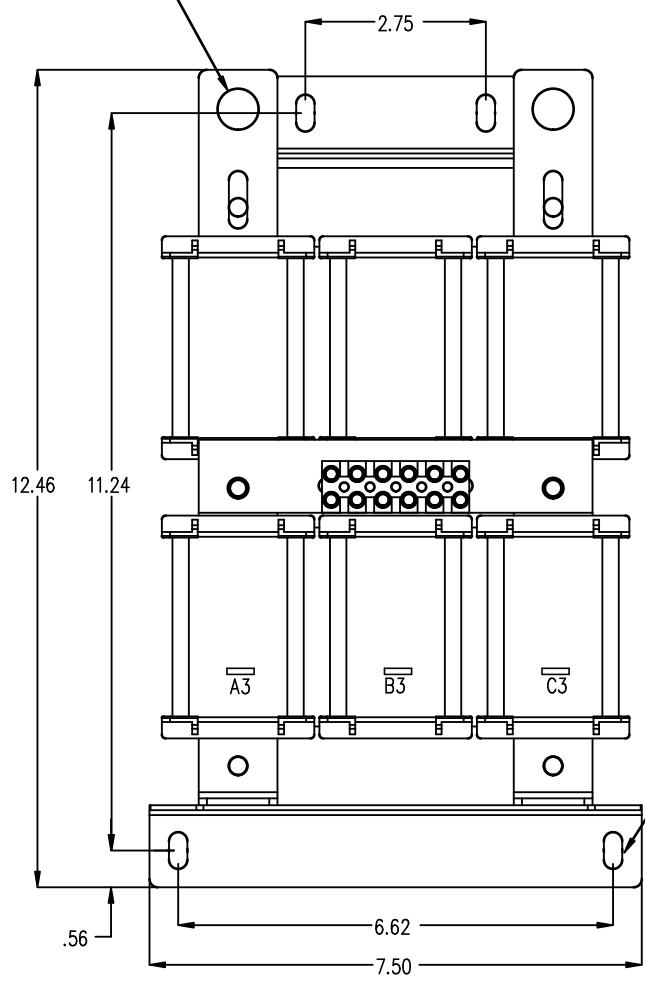
SHEET 2 OF 3

EDBCP1K6G0008F

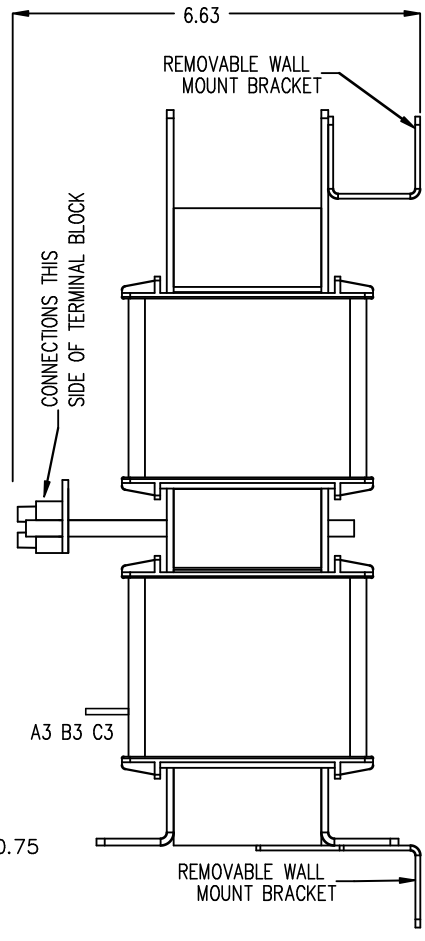
0.7 httpd 2026/06/20 21:16

THIS DRAWING CONTAINS STRICTLY CONFIDENTIAL INFORMATION BELONGING TO HAMMOND POWER SOLUTIONS AND MUST NOT BE DISTRIBUTED OUTSIDE AUTHORIZED PARTIES.

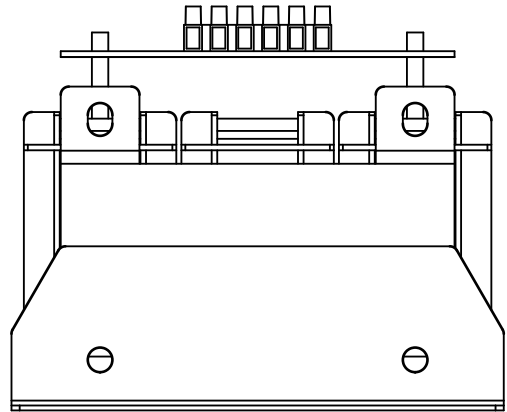
ø.63 LIFTING PROVISION



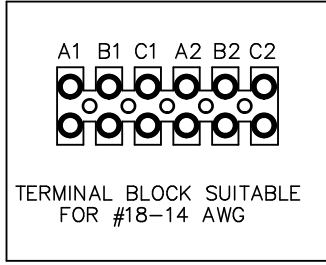
FRONT VIEW



SIDE VIEW



BOTTOM VIEW



TOLERANCES  
MOUNTING CENTERS = +/- .06"  
MOUNTING HOLE SIZE = +/- .005"

THIS DRAWING CONTAINS PROPRIETARY INFORMATION  
BELONGING TO HAMMOND POWER SOLUTIONS INC.,  
AND IS NOT FOR GENERAL DISTRIBUTION

All Dimensions in Inches  
mm in Parenthesis

FILTER



TITLE: PASSIVE FILTER  
WALL MOUNTING DIMENSIONS

DES:	PBAKER
DATE:	22/08/26
SCALE:	NTS

NO.	DATE	BY	REVISION

SHEET 3 OF 3

EDBCP1K6G0008F

0.7 httpd 2026/06/20 21:16

THIS DRAWING CONTAINS STRICTLY CONFIDENTIAL INFORMATION BELONGING TO HAMMOND POWER SOLUTIONS AND MUST NOT BE DISTRIBUTED OUTSIDE AUTHORIZED PARTIES.