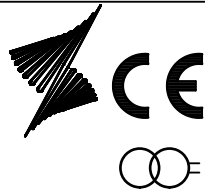


hammond

POWER SOLUTIONS



GUELPH, ONT. BARABOO, WI. COMPTON, CA. MONTERREY, MX

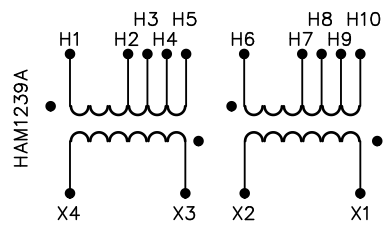
HPS FORTRESS

COMMERCIAL POTTED DISTRIBUTION TRANSFORMER

HV/HT	190.....480V
BIL	—
TERM. BORNES	H1.....H10
LV/BT	120V/240V
BIL	—
TERM. BORNES	X4 X2 X3 X1

Cust. Ref. Réf. du client	
Serial No. No. de série	
Part No. No. de pièce	C1FC05XE
PHASE	1
kVA	0.05
TYPE	Q
Cooling Refroidissement	ANC
Temp. Class Classe de Temp.	130 °C
Frequency Fréquence	50/60Hz
Impédance % @ _____ °C	—
Encl. Type Type de boîtier	3R
Wt Poids	6.36 lbs

0000013hbsmce



COMPLIES WITH EN60076-11, 2004-05
IS AVAILABLE AT 60 HZ ONLY WITH A SECONDARY
VOLTAGE OF APPROXIMATELY 130/262V

*THE PRIMARY VOLTAGE RATIO OF 240V OR 480V

FABRIQUÉ AU CANADA
MADE IN

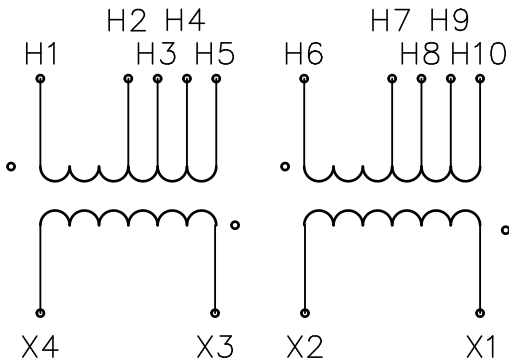
hammond

POWER SOLUTIONS

TITLE: 1 PHASE ENCAPSULATED TRANSFORMER				
NAMEPLATE INFORMATION				
2	21/07/13	PP	EDB UPDATE	DES: LCEN
1	19/11/15	LC	CHANGED NPL VER:	DATE: 08/12/16
NO.	DATE	BY	REVISION	SCALE: NTS

SHEET 1 OF 3
EDB C1FC05XE

THIS DRAWING CONTAINS STRICTLY CONFIDENTIAL INFORMATION BELONGING TO HAMMOND POWER SOLUTIONS AND MUST NOT BE DISTRIBUTED OUTSIDE AUTHORIZED PARTIES.
2.0 httpd 2026/06/04 13:12



*The primary voltage ratio of 240V or 480V is available at 60Hz only with a secondary voltage of approximately 130/262V

HAM1239B

PRIMARY VOLTAGE	CONNECT LINES TO	INTER-CONNECT
480V (60 Hz)*	H1, H10	H5-H6
440V	H1, H10	H5-H6
416V	H1, H9	H4-H6
400V	H1, H8	H3-H6
380V	H1, H7	H2-H6
240V (60 Hz)*	H1, H10	H1-H6, H5-H10
220V	H1, H10	H1-H6, H5-H10
208V	H1, H9	H1-H6, H4-H9
200V	H1, H8	H1-H6, H3-H8
190V	H1, H7	H1-H6, H2-H7
SECONDARY VOLTAGE	CONNECT LINES TO	INTER-CONNECT
240V	X1, X4	X2-X3
120/240V	X1, X2, X4	X2-X3
120V	X1, X4	X2-X4, X1-X3

THIS DRAWING CONTAINS STRICTLY CONFIDENTIAL INFORMATION BELONGING TO HAMMOND POWER SOLUTIONS AND MUST NOT BE DISTRIBUTED OUTSIDE AUTHORIZED PARTIES.



TITLE: 1 PHASE ENCAPSULATED TRANSFORMER

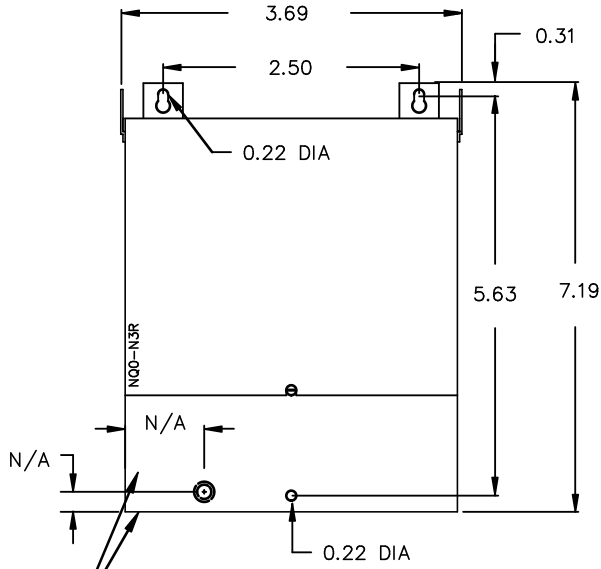
2	21/07/13	PP	EDB UPDATE	DES: LCEN
1	19/11/15	LC	CHANGED NPL VER:	DATE: 08/12/16
NO.	DATE	BY	REVISION	SCALE: NTS

SHEET 2 OF 3

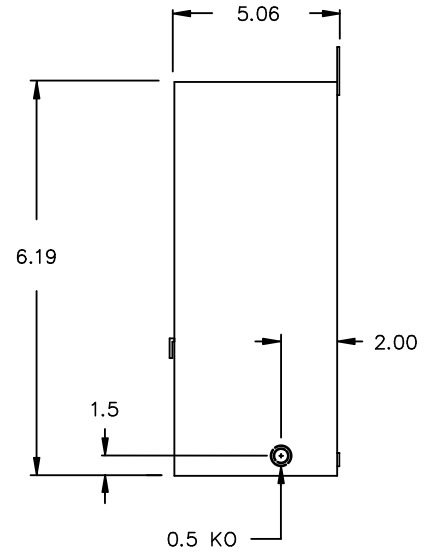
EDB01FC05XE

2.0 httpd 2026/06/04 13:12

FRONT VIEW



SIDE VIEW



FRONT & BOTTOM PANEL IS HINGED FOR ACCESS TO TERMINALS, BOTTOM MOUNTING HOLES AND REAR KNOCKOUT.

All Dimensions in inches

ENCLOSURE COLOR : ANSI 61 GREY – OUTDOOR

CUSTOMER NOTES:



TITLE: 1 PHASE ENCAPSULATED TRANSFORMER

2	21/07/13	PP	EDB UPDATE	DES: LCEN
1	19/11/15	LC	CHANGED NPL VER:	DATE: 08/12/16
NO.	DATE	BY	REVISION	SCALE: NTS

SHEET 3 OF 3

EDB01FC05XE