

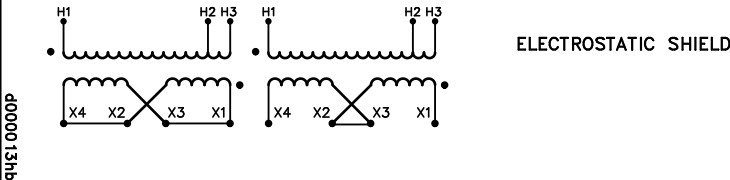


GENERAL PURPOSE TRANSFORMER 252L E50394

GUELPH, ONT. BARABOO, WI COMPTON, CA MONTERREY, MX

HPS FORTRESS™  
COMMERCIAL POTTED DISTRIBUTION TRANSFORMER

HV/HT	347/380V			Cust. Ref.	
BIL	-			Réf. du client	
TERM. BORNES	H1 H2 H3			Serial No.	
				No. de série	
				Part No.	C1F1C5JES
				No. de pièce	
				Phase	1
				kVA	1.5
				TYPE	Q
				Cooling Refroidissement	ANC
				Temp. Class. Classe de Temp.	180 °C
				Frequency Fréquence	50/60Hz
				Impédance %	
				Encl. Type Type de boîtier	3R
				Wt Poids	42.5/19.3
LV/BT	120/240V 12.5/6.2A				
BIL	-				
TERM. BORNES	X4 X2 X3 X1				



TITLE: 1 PHASE ENCAPSULATED TRANSFORMER  
NAMEPLATE INFORMATION

2	21/07/13	PP	EDB UPDATE	DES: LCEN
1	14/12/05	LC	CHANGED NPL VER:	DATE: 08/10/17
NO.	DATE	BY	REVISION	SCALE: NTS

SHEET 1 OF 2

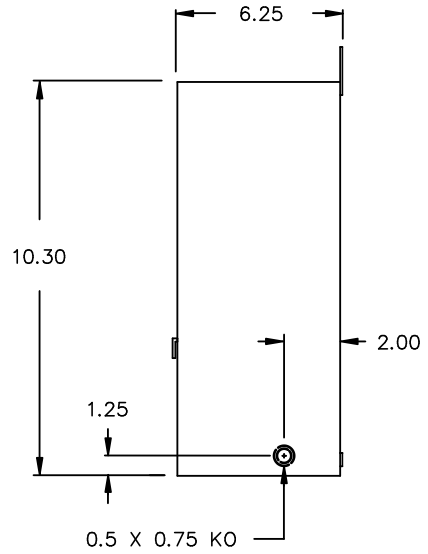
EDBC1F1C5JES

THIS DRAWING CONTAINS STRICTLY CONFIDENTIAL INFORMATION BELONGING TO HAMMOND POWER SOLUTIONS AND MUST NOT BE DISTRIBUTED OUTSIDE AUTHORIZED PARTIES.

FRONT VIEW



SIDE VIEW



FRONT & BOTTOM PANEL IS HINGED FOR ACCESS TO TERMINALS, BOTTOM MOUNTING HOLES AND REAR KNOCKOUT.

All Dimensions in inches

ENCLOSURE COLOR : ANSI 61 GREY – OUTDOOR

CUSTOMER NOTES:

- HV TERMINATED AT #18 AWG LEAD WIRE
- LV TERMINATED AT #14 AWG LEAD WIRE



TITLE: 1 PHASE ENCAPSULATED TRANSFORMER

2	21/07/13	PP	EDB UPDATE	DES: LCEN
1	14/12/05	LC	CHANGED NPL VER:	DATE: 08/10/17
NO.	DATE	BY	REVISION	SCALE: NTS

SHEET 2 OF 2

EDB01F105JES