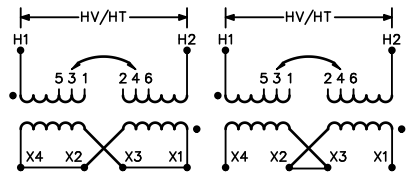




GUELPH, ONT. BARABOO, WI COMPTON, CA MONTERREY, MX

HPS FORTRESS™
COMMERCIAL POTTED DISTRIBUTION TRANSFORMER

HV	600V 62.5			Cust. Ref.	
BIL	-			Serial No.	
TERM.	H1 H2			Part No.	C1F037PES
	VOLTS	CURRENT	% RATED VOLTAGE	CONNECTION EACH PHASE	Phase
	630	59.5	105	1-2	1
	615	61.0	102.5	2-3	
	600	62.5	100	3-4	
	585	64.1	97.5	4-5	
	570	65.8	95	5-6	
	120/240V 156			kVA	37.5
LV				TYPE	Q
BIL	-			Cooling	ANC
TERM.	X4 X2 X3 X1			Temp. Class	180 °C
				Frequency	60 Hz
				Impedance % @ 135 °C	2.6
				Encl. Type	3R
				Wt lbs	820

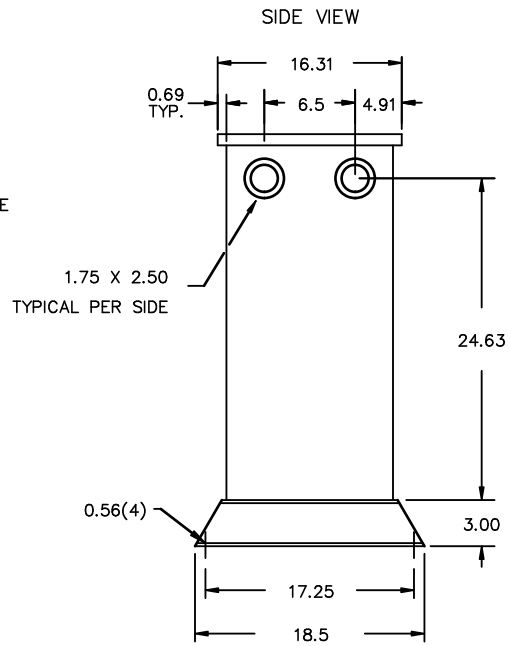
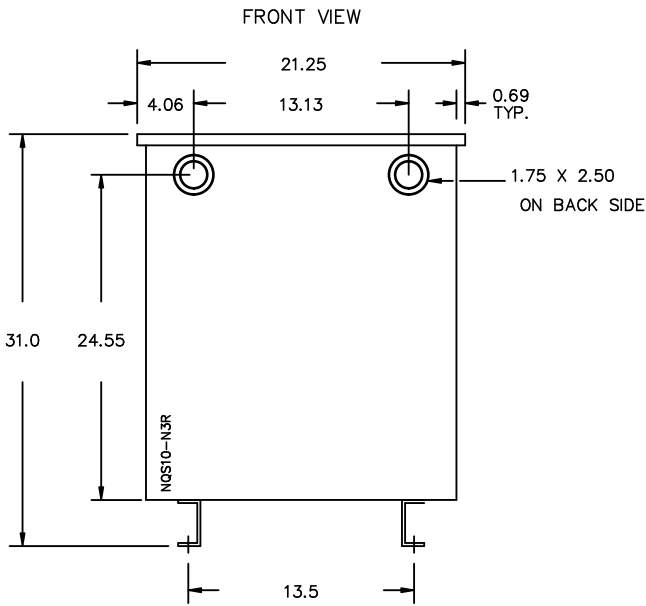


SPACINGS BETWEEN ANY VENTILATED ENCLOSURE PANEL AND ANY ADJACENT WALL SHALL BE A MINIMUM OF 3 INCHES ELECTROSTATIC SHIELD



TITLE: 1PH DISTRIBUTION TRANSFORMER NAMEPLATE INFORMATION				
3	21/07/13	PP	EDB UPDATE	DES: WWONG
2	17/07/06	LC	CHANGED REDESIGN	DATE: 08/12/08
NO.	DATE	BY	REVISION	SCALE: NTS

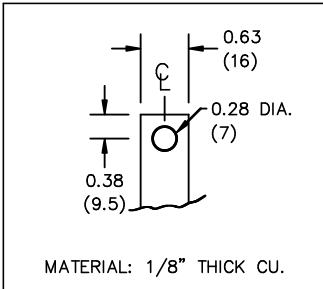
SHEET 1 OF 2
EDBC1F037PES



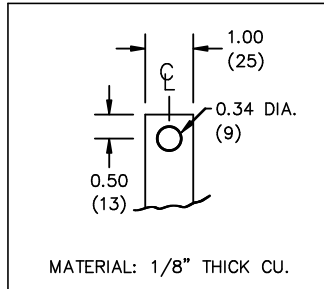
All Dimensions in inches

ENCLOSURE COLOR :ASA 61 GREY – OUTDOOR

H.V.1. TERMINAL DETAIL



L.V.1. TERMINAL DETAIL



CUSTOMER NOTES:



TITLE: 1PH DISTRIBUTION TRANSFORMER

3	21/07/13	PP	EDB UPDATE	DES: WWONG
2	17/07/06	LC	CHANGED REDESIGN	DATE: 08/12/08
NO.	DATE	BY	REVISION	SCALE: NTS

SHEET 2 OF 2

EDBC1F037PES