



GENERAL PURPOSE TRANSFORMER 252L E50394

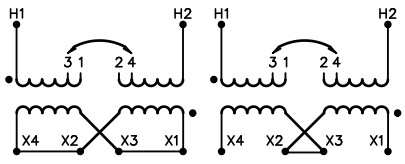
GUELPH, ONT. BARABOO, WI COMPTON, CA MONTERREY, MX

**HPS FORTRESS™
COMMERCIAL POTTED DISTRIBUTION TRANSFORMER**

HV/HT	380/347V			Cust. Ref. Réf. du client	
BIL	-			Serial No. No. de série	
TERM. BORNES	H1 H2			Part No. No. de pièce	C1F010JES
	VOLTS COURANT	CURRENT COURANT	% RATED VOLTAGE % TENSION NOMINALE	CONNECTION EACH PHASE CONNEXION PAR PHASE	Phase
	380 347	26.3 28.8	109.6 100	1-2 3-4	1
					kVA
					10
					TYPE
					Q
					Cooling Refroidissement
					ANC
					Temp. Class Classe de Temp.
					180 °C
					Frequency Fréquence
					50/60Hz
					Impédance % @ 135 °C
					3.9
					Encl. Type Type de boîtier
					NEMA-3R
					Wt lbs Poids
					195
LV/BT	120/240V				
BIL	-				
TERM. BORNES	X4 X2 X3 X1				



COMPLIES WITH EN61558-2-1 2021-04



ELECTROSTATIC SHIELD

400001344-8



TITLE: 1PH DISTRIBUTION TRANSFORMER
NAMEPLATE INFORMATION

1	21/07/13	PP	EDB UPDATE	DES: LCEN
NO.	DATE	BY	REVISION	SCALE: NTS

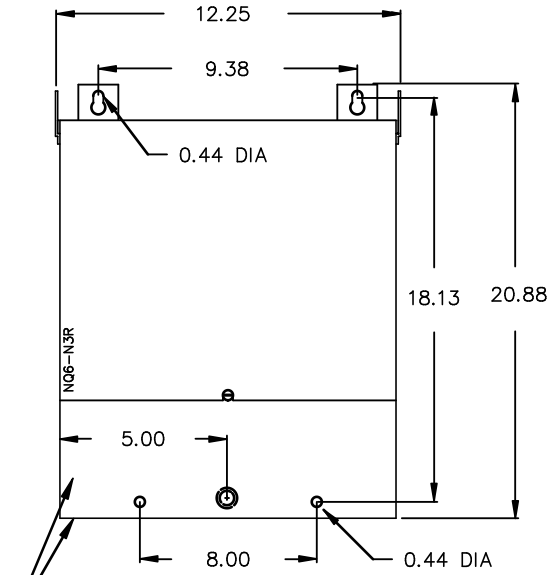
SHEET 1 OF 2

EDBC1F010JES

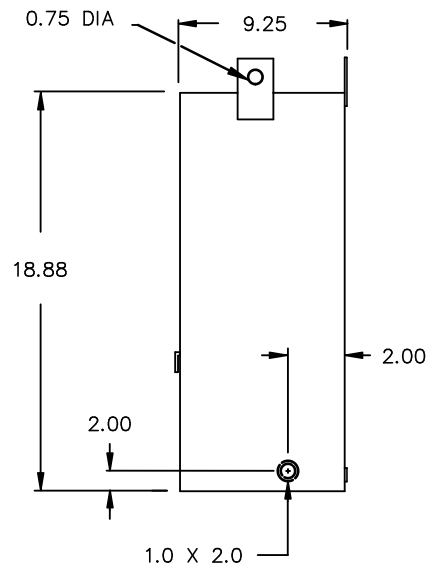
1.0 httpd 2026/05/23 12:24

THIS DRAWING CONTAINS STRICTLY CONFIDENTIAL INFORMATION BELONGING TO HAMMOND POWER SOLUTIONS AND MUST NOT BE DISTRIBUTED OUTSIDE AUTHORIZED PARTIES.

FRONT VIEW



SIDE VIEW



FRONT & BOTTOM PANEL IS HINGED FOR ACCESS TO TERMINALS, BOTTOM MOUNTING HOLES AND REAR KNOCKOUT.

All Dimensions in inches

ENCLOSURE COLOR : ANSI 61 GREY – OUTDOOR

CUSTOMER NOTES:

- HV1 TERMINATED AT BOTTOM REAR
- LV1 TERMINATED AT BOTTOM FRONT



TITLE: 1PH DISTRIBUTION TRANSFORMER

1	21/07/13	PP	EDB UPDATE	DES: LCEN
NO.	DATE	BY	REVISION	SCALE: NTS

SHEET 2 OF 2

EDBC1F010JES