



GENERAL PURPOSE TRANSFORMER 252L E50394

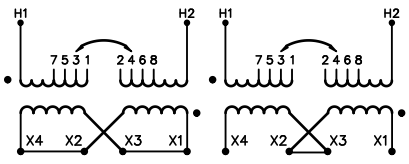
GUELPH, ONT. BARABOO, WI COMPTON, CA MONTERREY, MX

HPS FORTRESS™
COMMERCIAL POTTED DISTRIBUTION TRANSFORMER

HV/HT	190--240X380--480			Cust. Ref. Réf. du client	
BIL	-			Serial No. No. de série	
TERM. BORNES	H1 H2			Part No. No. de pièce	C1F007XES
				Phase	1
				kVA	7.5
				TYPE	Q
				Cooling Refrroidissement	ANC
				Temp. Class Classe de Temp.	180 °C
				Frequency Fréquence	50/60Hz
				Impédance % @ 135 °C	3.67
				Encl. Type Type de boîtier	3R
				Wt Poids	170
LV/BT	120/240V				
BIL	-				
TERM. BORNES	X4 X2 X3 X1				



COMPLIES WITH EN61558-2-1 2021-04



ELECTROSTATIC SHIELD
COMPLIES WITH EN60742(1997-06)
DEGREE OF PROTECTION: IP33
THE PRIMARY VOLTAGE RATIO OF 240V OR 480V
IS AVAILABLE AT 60 HZ ONLY WITH A SECONDARY
VOLTAGE OF APPROXIMATELY 130/262V

400001344-8

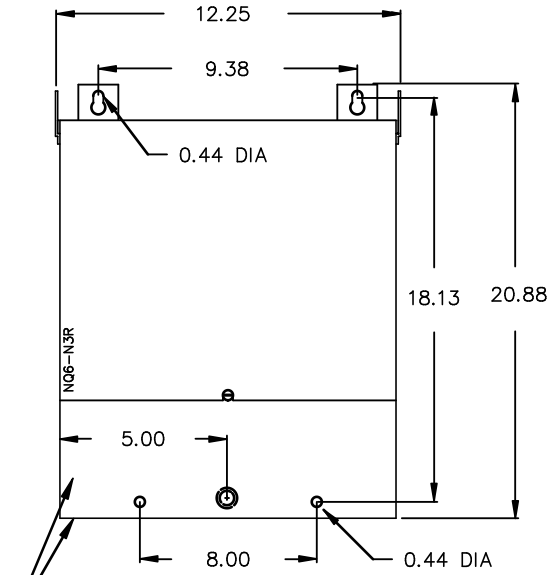


TITLE: 1PH DISTRIBUTION TRANSFORMER NAMEPLATE INFORMATION				
1	21/07/13	PP	EDB UPDATE	DES: LCEN
NO.	DATE	BY	REVISION	SCALE: NTS

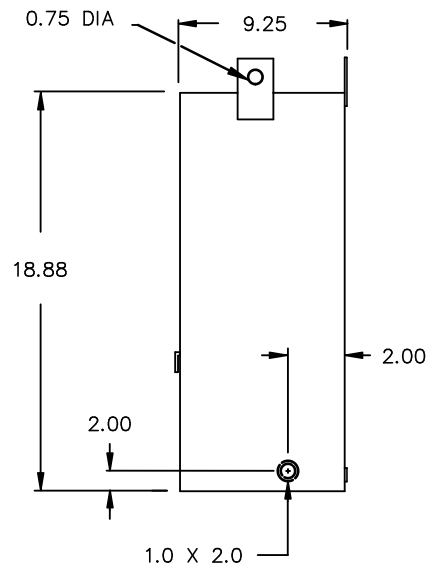
SHEET 1 OF 2
EDBC1F007XES

THIS DRAWING CONTAINS STRICTLY CONFIDENTIAL INFORMATION BELONGING TO HAMMOND POWER SOLUTIONS AND MUST NOT BE DISTRIBUTED OUTSIDE AUTHORIZED PARTIES. 1.0 httpd 2026/04/02 21:16

FRONT VIEW



SIDE VIEW



FRONT & BOTTOM PANEL IS HINGED FOR ACCESS TO TERMINALS, BOTTOM MOUNTING HOLES AND REAR KNOCKOUT.

All Dimensions in inches

ENCLOSURE COLOR : ANSI 61 GREY – OUTDOOR

CUSTOMER NOTES:

- HV1 TERMINATED AT BOTTOM REAR
- LV1 TERMINATED AT BOTTOM FRONT

THIS DRAWING CONTAINS STRICTLY CONFIDENTIAL INFORMATION BELONGING TO HAMMOND POWER SOLUTIONS AND MUST NOT BE DISTRIBUTED OUTSIDE AUTHORIZED PARTIES.



TITLE: 1PH DISTRIBUTION TRANSFORMER

1	21/07/13	PP	EDB UPDATE	DES: LCEN
NO.	DATE	BY	REVISION	SCALE: NTS

SHEET 2 OF 2

EDBC1F007XES

1.0 httpd 2026/04/02 21:16