

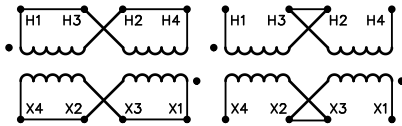


GENERAL
PURPOSE
TRANSFORMER
252L
E50394

GUELPH, ONT. BARABOO, WI COMPTON, CA MONTERREY, MX

HPS FORTRESS™
COMMERCIAL POTTED DISTRIBUTION TRANSFORMER

HV/HT	240V X 480V 12.8A/6.4A			Cust. Ref. Réf. du client									
BIL	-			Serial No. No. de série									
TERM. BORNES	H1	H3	H2	H4	Part No. No. de pièce	C1F003LES							
	<table border="1"> <thead> <tr> <th>VOLTS</th> <th>CURRENT COURANT</th> <th>% RATED VOLTAGE % TENSION NOMINALE</th> <th>CONNECTION EACH PHASE CONNEXION PAR PHASE</th> </tr> </thead> <tbody> <tr> <td></td> <td></td> <td></td> <td></td> </tr> </tbody> </table>			VOLTS	CURRENT COURANT	% RATED VOLTAGE % TENSION NOMINALE	CONNECTION EACH PHASE CONNEXION PAR PHASE					Phase	1
VOLTS	CURRENT COURANT	% RATED VOLTAGE % TENSION NOMINALE	CONNECTION EACH PHASE CONNEXION PAR PHASE										
				kVA	3								
				TYPE	Q								
				Cooling Refroidissement	ANC								
				Temp. Class Classe de Temp.	180 °C								
				Frequency Fréquence	60 Hz								
				Impédance % @ 135 °C	3.1								
LV/BT	120V/240V 25A/12.5A			Encl. Type Type de boîtier	3R								
BIL	-			Wt Poids	51/24								
TERM. BORNES	X4	X2	X3	X1									



ELECTROSTATIC SHIELD

400001344



TITLE: 1PH DISTRIBUTION TRANSFORMER
NAMEPLATE INFORMATION

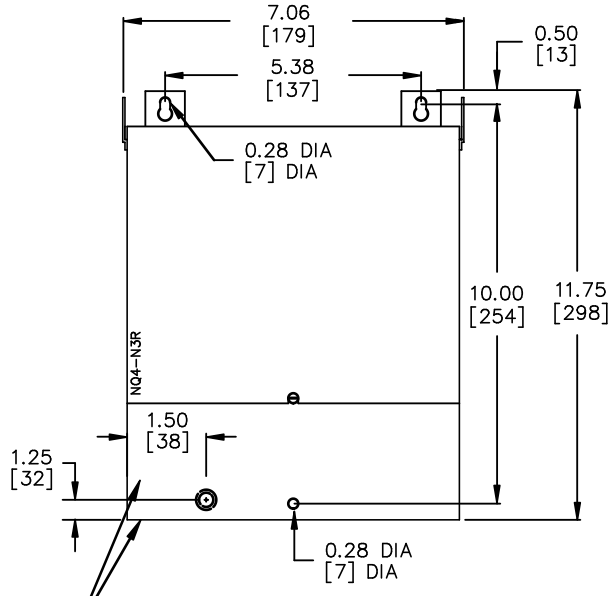
3	25/03/13	LC	CHANGED 47LBS TO 51LBS	DES: LCEN
2	25/02/06	LC	CHANGED NPL VER:	DATE: 08/10/17
NO.	DATE	BY	REVISION	SCALE: NTS

SHEET 1 OF 2

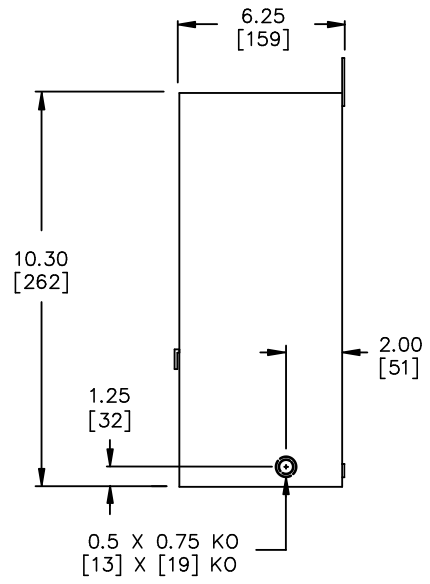
EDBC1F003LES

3.0 Icon 2025/03/13 14:29

FRONT VIEW



SIDE VIEW



FRONT & BOTTOM PANEL IS HINGED FOR ACCESS TO TERMINALS, BOTTOM MOUNTING HOLES AND REAR KNOCKOUT.

All Dimensions in inches[mm]

ENCLOSURE COLOR : ANSI 61 GREY – OUTDOOR

CUSTOMER NOTES:

- HV1 TERMINATED AT LEADS
- LV1 TERMINATED AT LEADS



TITLE: 1PH DISTRIBUTION TRANSFORMER

3	25/03/13	LC	CHANGED 47LBS TO 51LBS	DES: LCEN
2	25/02/06	LC	CHANGED NPL VER:	DATE: 08/10/17
NO.	DATE	BY	REVISION	SCALE: NTS

SHEET 2 OF 2

EDBC1F003LES

3.0 Icen 2025/03/13 14:29