

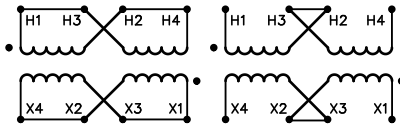


GENERAL PURPOSE TRANSFORMER 252L E50394

GUELPH, ONT. BARABOO, WI COMPTON, CA MONTERREY, MX

COMMERCIAL POTTED DISTRIBUTION TRANSFORMER

HV/HT	208 X 416V				Cust. Ref. Réf. du client	
BIL	-				Serial No. No. de série	
TERM. BORNES	H1	H3	H2	H4	Part No. No. de pièce	C1F003GES
	VOLTS	CURRENT COURANT	% RATED VOLTAGE % TENSION NOMINALE	CONNECTION EACH PHASE CONNEXION PAR PHASE	Phase	1
					kVA	3
					TYPE	Q
					Cooling Refroidissement	ANC
					Temp. Class Classe de Temp.	180 °C
					Frequency Fréquence	60 Hz
					Impédance % ⊙ °C	
LV/BT	120V/240V				Encl. Type Type de boîtier	3R
BIL	-				Wt Poids	lbs/kg 54.8/24.9
TERM. BORNES	X4	X2	X3	X1		



ELECTROSTATIC SHIELD

400001344



TITLE: 1PH DISTRIBUTION TRANSFORMER NAMEPLATE INFORMATION

2	21/07/13	PP	EDB UPDATE	DES: LCEN
1	19/11/08	LC	CHANGED NPL VER:	DATE: 08/11/25
NO.	DATE	BY	REVISION	SCALE: NTS

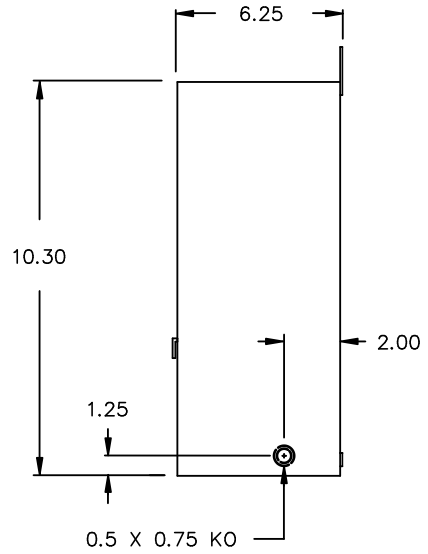
SHEET 1 OF 2

EDBC1F003GES

FRONT VIEW



SIDE VIEW



FRONT & BOTTOM PANEL IS HINGED FOR ACCESS TO TERMINALS, BOTTOM MOUNTING HOLES AND REAR KNOCKOUT.

All Dimensions in inches

ENCLOSURE COLOR : ANSI 61 GREY – OUTDOOR

CUSTOMER NOTES:

- HV1 TERMINATED AT #14 AWG LEAD WIRE
- LV1 TERMINATED AT #14 AWG LEAD WIRE



TITLE: 1PH DISTRIBUTION TRANSFORMER

2	21/07/13	PP	EDB UPDATE	DES: LCEN
1	19/11/08	LC	CHANGED NPL VER:	DATE: 08/11/25
NO.	DATE	BY	REVISION	SCALE: NTS

SHEET 2 OF 2

EDBC1F003GES

2.1 httpd 2026/06/20 21:38

THIS DRAWING CONTAINS STRICTLY CONFIDENTIAL INFORMATION BELONGING TO HAMMOND POWER SOLUTIONS AND MUST NOT BE DISTRIBUTED OUTSIDE AUTHORIZED PARTIES.