

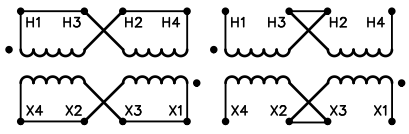


GENERAL PURPOSE TRANSFORMER 252L E50394

GUELPH, ONT. BARABOO, WI COMPTON, CA MONTERREY, MX

HPS FORTRESS™
COMMERCIAL POTTED DISTRIBUTION TRANSFORMER

HV/HT	120X240V 26X13A			Cust. Ref. Réf. du client		
BIL	-			Serial No. No. de série		
TERM. BORNES	H1 H3 H2 H4			Part No. No. de pièce	C1F003EES	
	VOLTS	CURRENT COURANT	% RATED VOLTAGE % TENSION NOMINALE	CONNECTION EACH PHASE CONNEXION PAR PHASE	Phase	1
					kVA	3
					TYPE	Q
					Cooling Refroidissement	ANC
					Temp. Class Classe de Temp.	180 °C
					Frequency Fréquence	60 Hz
					Impédance % @ 135 °C	3.64
LV/BT	120/240V 25/12.5A			Encl. Type Type de boîtier	3R	
BIL	-			Wt Poids	lbs/kg 55/25	
TERM. BORNES	X4 X2 X3 X1					



ELECTROSTATIC SHIELD

400001344



TITLE: 1 PHASE ENCAPSULATED TRANSFORMER
NAMEPLATE INFORMATION

3	26/03/25	LC	CHANGED NPL VER:	DES: LCEN
2	21/07/13	PP	EDB UPDATE	DATE: 08/12/02
NO.	DATE	BY	REVISION	SCALE: NTS

SHEET 1 OF 2

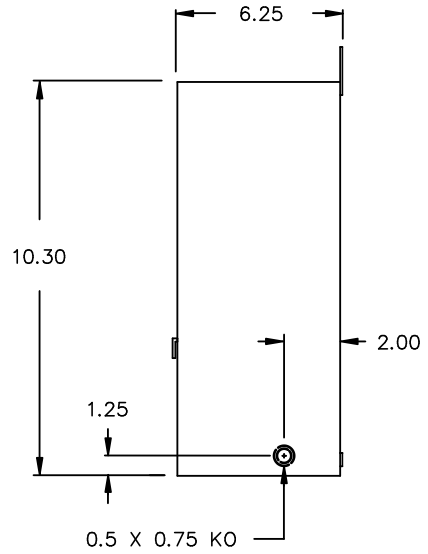
EDBC1F003EES

THIS DRAWING CONTAINS STRICTLY CONFIDENTIAL INFORMATION BELONGING TO HAMMOND POWER SOLUTIONS AND MUST NOT BE DISTRIBUTED OUTSIDE AUTHORIZED PARTIES.
3.0 httpd 2026/04/03 22:31

FRONT VIEW



SIDE VIEW



FRONT & BOTTOM PANEL IS HINGED FOR ACCESS TO TERMINALS, BOTTOM MOUNTING HOLES AND REAR KNOCKOUT.

All Dimensions in inches

ENCLOSURE COLOR : ANSI 61 GREY – OUTDOOR

CUSTOMER NOTES:

- HV TERMINATED AT #14 AWG LEAD WIRE
- LV TERMINATED AT #14 AWG LEAD WIRE



TITLE: 1 PHASE ENCAPSULATED TRANSFORMER

3	26/03/25	LC	CHANGED NPL VER:	DES: LCEN
2	21/07/13	PP	EDB UPDATE	DATE: 08/12/02
NO.	DATE	BY	REVISION	SCALE: NTS

SHEET 2 OF 2

EDB01F003EES

3.0 httpd 2026/04/03 22:31

THIS DRAWING CONTAINS STRICTLY CONFIDENTIAL INFORMATION BELONGING TO HAMMOND POWER SOLUTIONS AND MUST NOT BE DISTRIBUTED OUTSIDE AUTHORIZED PARTIES.