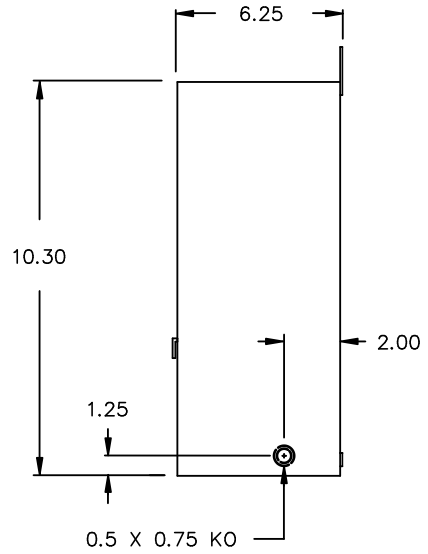


FRONT VIEW



SIDE VIEW



FRONT & BOTTOM PANEL IS HINGED FOR ACCESS TO TERMINALS, BOTTOM MOUNTING HOLES AND REAR KNOCKOUT.

All Dimensions in inches

ENCLOSURE COLOR : ANSI 61 GREY – OUTDOOR

CUSTOMER NOTES:

- HV TERMINATED AT #12 AWG LEAD WIRE
- LV TERMINATED AT #14 AWG LEAD WIRE



TITLE: 1 PHASE ENCAPSULATED TRANSFORMER

2	21/07/13	PP	EDB UPDATE	DES: WWONG
1	19/11/08	LC	CHANGED TERMINATED AT	DATE: 08/12/05
NO.	DATE	BY	REVISION	SCALE: NTS

SHEET 2 OF 2

EDBC1F002WES